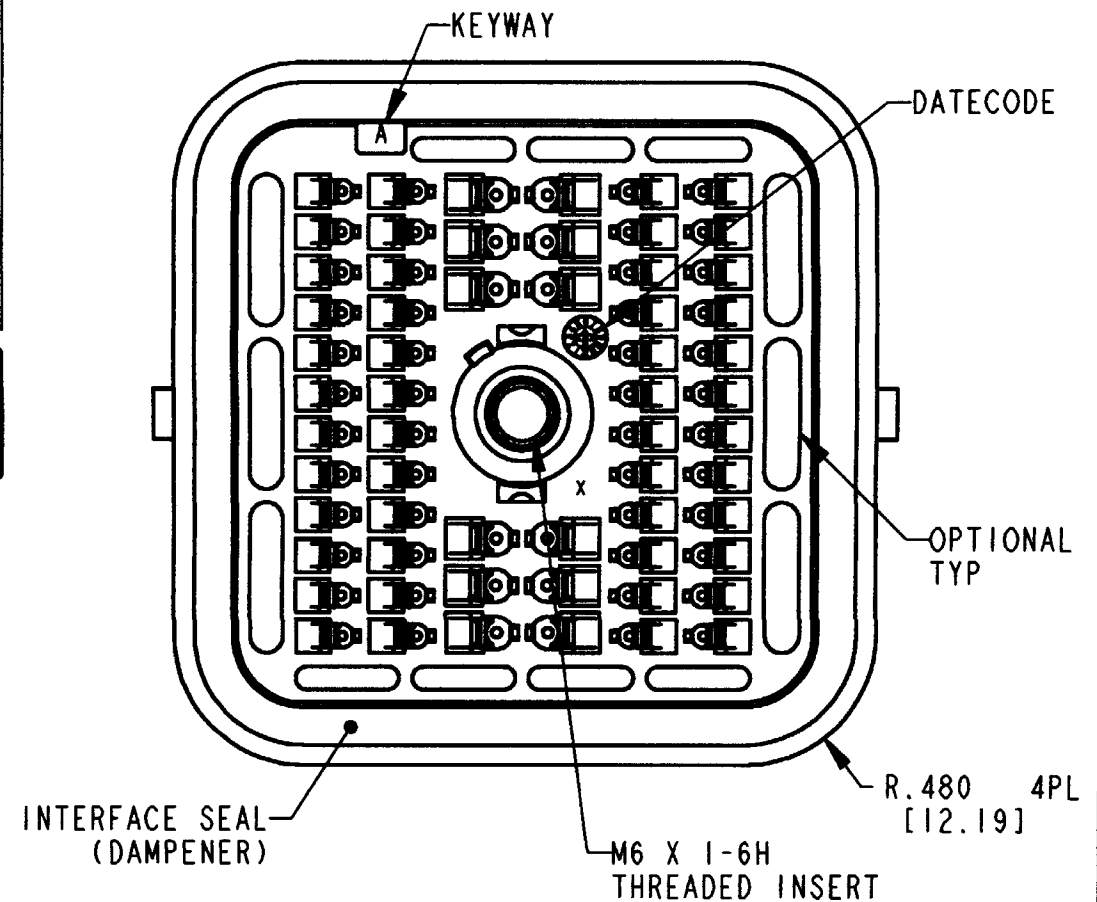
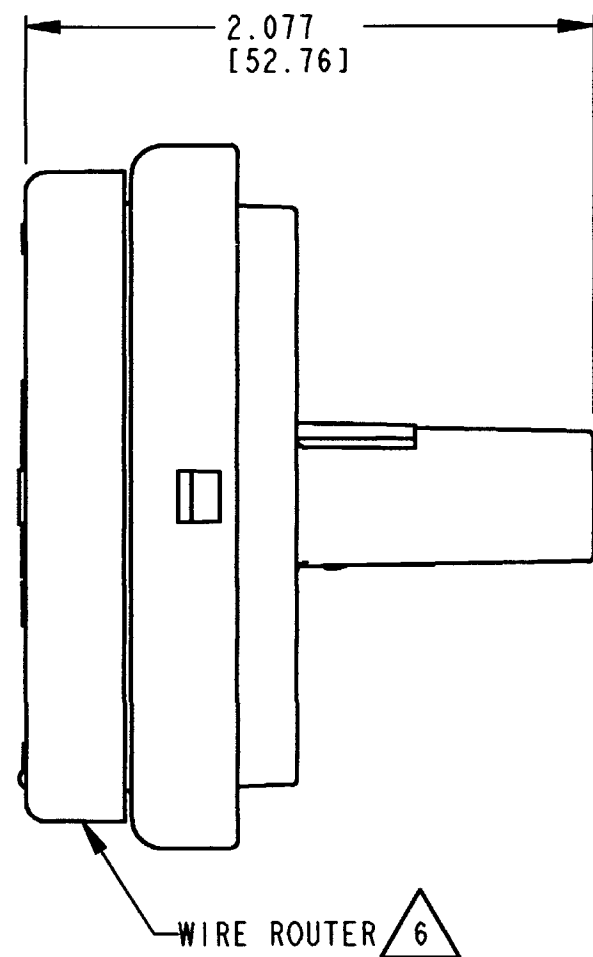
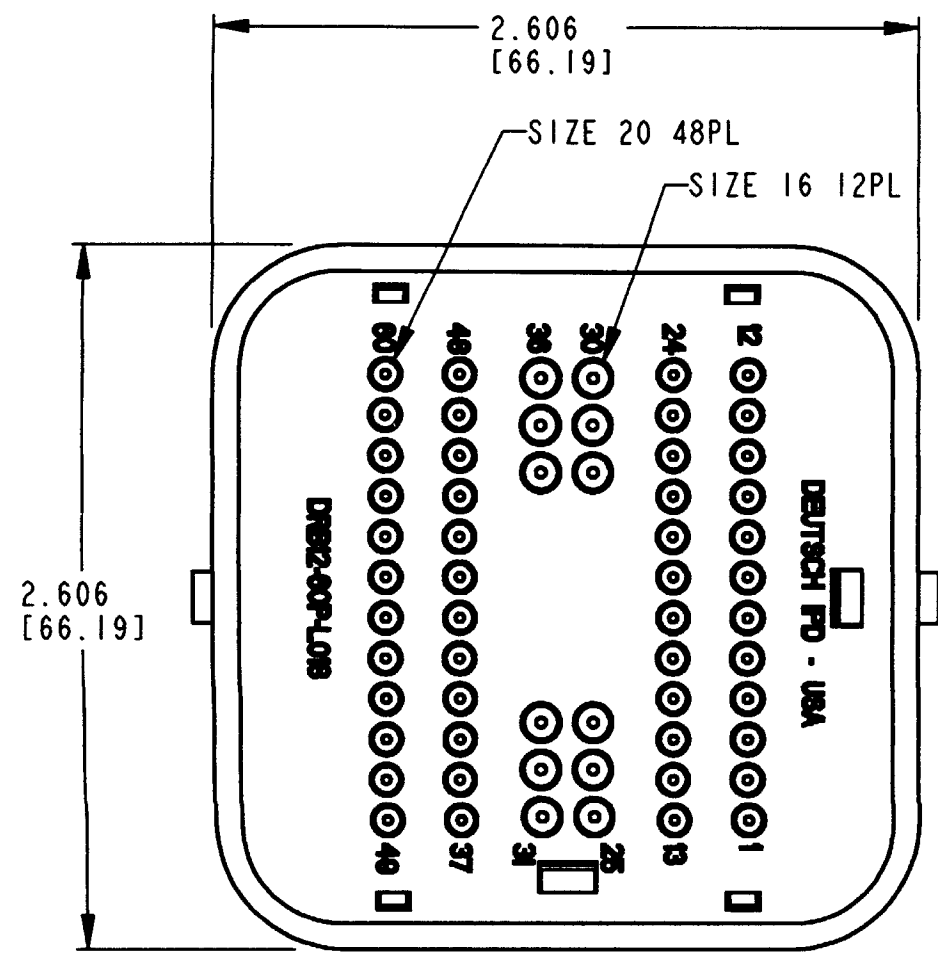


REV  
NC DRB12-60P\*E-L018

REVISIONS			
SYM	DESCRIPTION	DATE	APPROVED
NC	NEW RELEASE PER E.O. P17208	4-5-01	RDR



- 6. WIRE ROUTER CAP IS INCLUDED WITH RECEPTACLE (-L018 MOD).
- 5. THIS RECEPTACLE MATES WITH DRB16-60S\*(N)E-\*\*\*\* PLUG (\* = A,B,C,D KEYS; \*\*\*\* = ALL MODIFICATIONS). CONSULT FACTORY FOR MODS.
- 4. FOR CONTACTS AND WIRE PERFORMANCE AND APPLICATION CHARACTERISTICS SEE ENVELOPE DRAWING 0425-015-0000.
- 3. ITEMS SOLD SEPARATELY: SECONDARY LOCK: WB-60P\*  
INTERFACE FLANGE: DRBF-2\*
- 2. DIMENSION TOLERANCE: ±.025 [.635].
- 1. DIMENSIONS ARE IN INCHES [mm].

- 8. SEE SHEET 2 FOR OTHER KEY ARRANGEMENTS.
- 7. MATERIAL: RECEPTACLE: PLASTIC  
SEAL/GROMMET: RUBBER  
THREADED INSERT: STEEL

CONTACT SIZE	MIN. INSUL. O.D. [mm]	MAX. INSUL. O.D. [mm]	WIRE RANGE [mm <sup>2</sup> ] REF ONLY
16	.053 [1.346]	.120 [3.048]	14-20 AWG [2.0-0.5]
20	.040 [1.016]	.095 [2.413]	16-20 AWG [1.0-0.5]

SIGNATURE & DATE	
DR	S. PALLUTH 03/29/01
CHK	P. Meyer 4/4/01
PE	S. Palluth 4/2/01
APPD	P. Meyer 4/4/01
SCALE	NONE

RECEPTACLE, 60 CONTACTS  
KEYS A, B, C & D  
"E" SEAL, -L018 MOD  
COLOR: BLACK  
DRB SERIES  
ENVELOPE

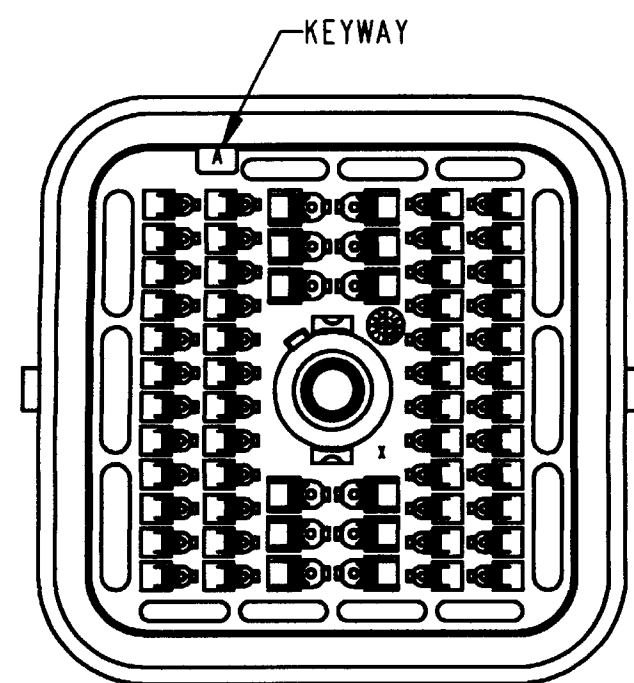
CP EP059 MATL. CODE

**The Deutsch Company**  
DEUTSCH I.P.D.  
3850 INDUSTRIAL AVE.  
HEMET, CALIF. 92545

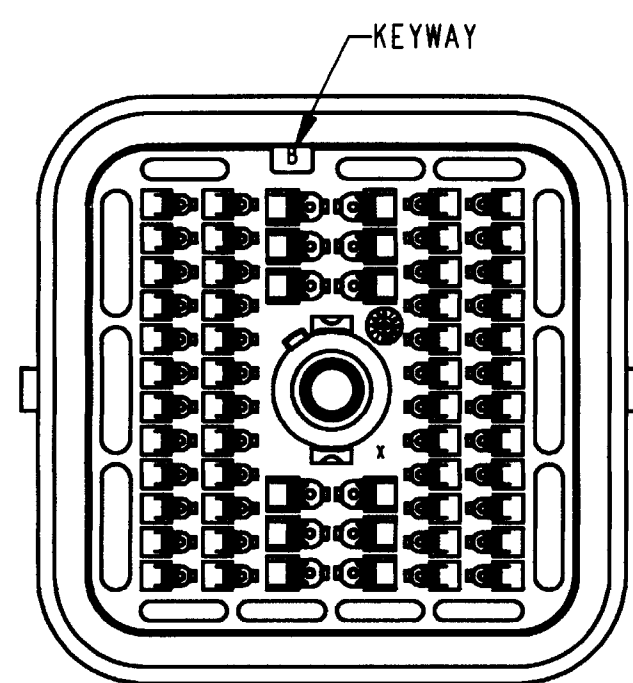
**B DRB12-60P\*E-L018**

DWG SIZE CODE 11139 SHEET 1 OF 2

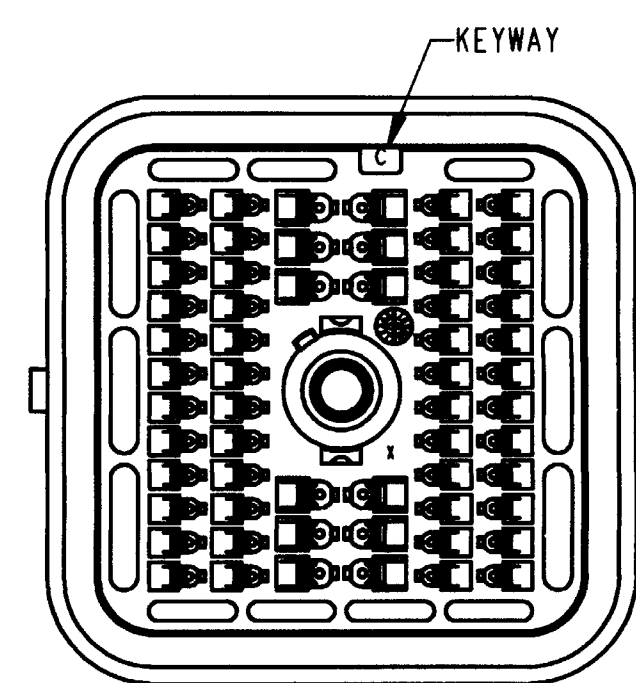
REV	DRB12-60P*E-L018	REVISIONS			
NC		SYM	DESCRIPTION	DATE	APPROVED
			SEE SHEET 1	4-5-01	RDR



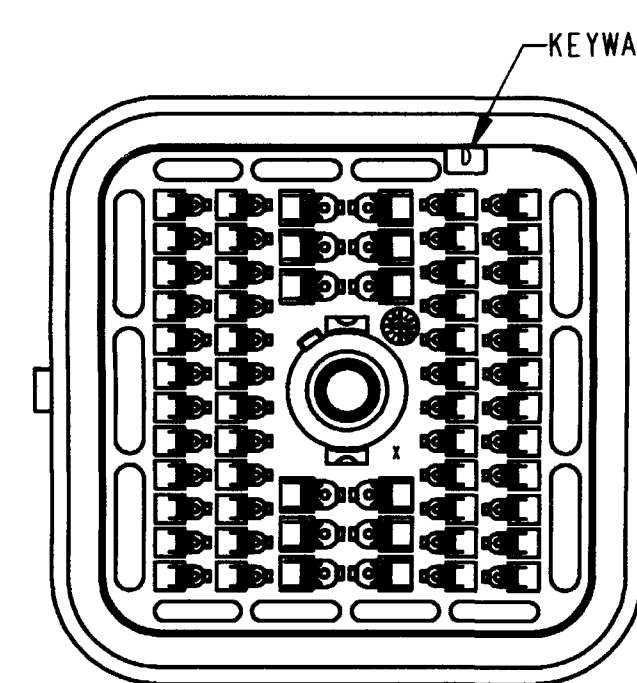
**DRB12-60PAE-L018**  
KEY ARRANGEMENT -A-



**DRB12-60PBE-L018**  
KEY ARRANGEMENT -B-



**DRB12-60PCE-L018**  
KEY ARRANGEMENT -C-



**DRB12-60PDE-L018**  
KEY ARRANGEMENT -D-

NOTES:

SIGNATURE & DATE		RECEPTACLE, 60 CONTACTS KEYS A,B,C & D "E" SEAL, -L018 MOD COLOR: BLACK DRB SERIES  ENVELOPE	CP	EP059	MATL. CODE
DR	S. PALLUTH 03/29/01		<b>The Deutch Company</b> DEUTSCH I.P.D. 3850 INDUSTRIAL AVE. HEMET, CALIF. 92545		
CHK	<i>[Signature]</i> 4-4-01		<b>B DRB12-60P*E-L018</b>		
PE	<i>[Signature]</i> 4/2/01		DWG SIZE	CODE 11139	SHEET 2 OF 2
APPD	<i>[Signature]</i> 4/2/01				
SCALE	NONE				

## X-ON Electronics

Largest Supplier of Electrical and Electronic Components

*Click to view similar products for [Automotive Connectors](#) category:*

*Click to view products by [TE Connectivity](#) manufacturer:*

Other Similar products are found below :

[003-018-000](#) [60403001](#) [60993906-B](#) [M902-2131](#) [M902-2161](#) [M902-2344](#) [72.330.1035.1](#) [73.353.4028.0](#) [F119300-B](#) [F166900](#) [F258300-B](#)  
[F358300-B](#) [F407400](#) [F444110](#) [F487000](#) [F509500B-B](#) [827153-1](#) [8N1515-32-24P](#) [9-1326729-8](#) [925474-1](#) [928905-1](#) [964562-4](#) [968782-1](#)  
[GT17SA-8DS-HU](#) [98891-1012](#) [98947-1016](#) [12004147](#) [12004475-L](#) [12010290](#) [12015454](#) [12020219-B](#) [12041318-B](#) [12052225-L](#) [12052466](#)  
[12064869](#) [12004327-B](#) [12015308](#) [12015384](#) [12015909](#) [1-21030-1](#) [12041254](#) [12041318](#) [12047946-B](#) [12047957](#) [12047957-L](#) [12059473](#)  
[12066261](#) [12110546](#) [12110546-B](#) [12131792](#)