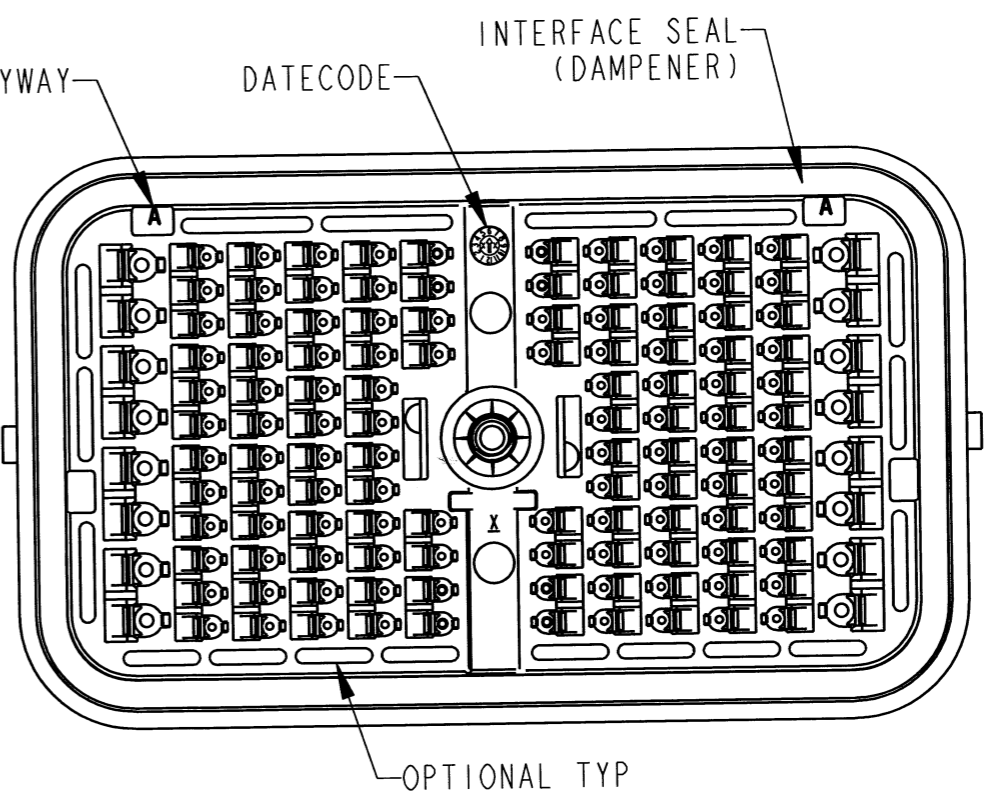
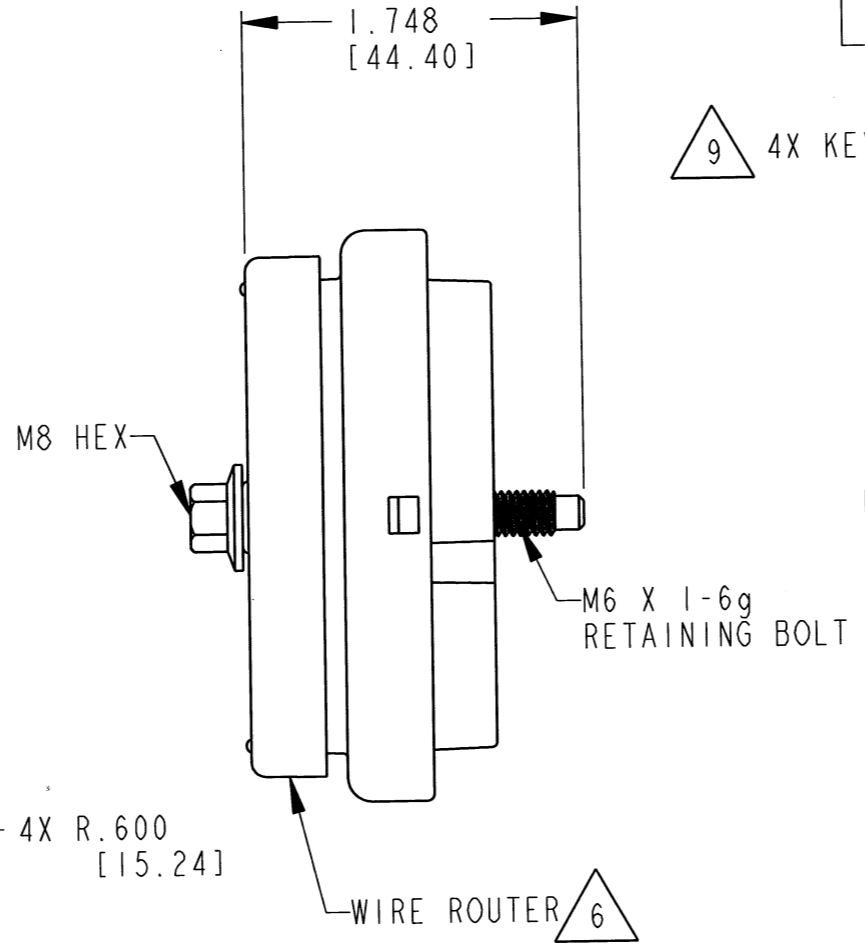
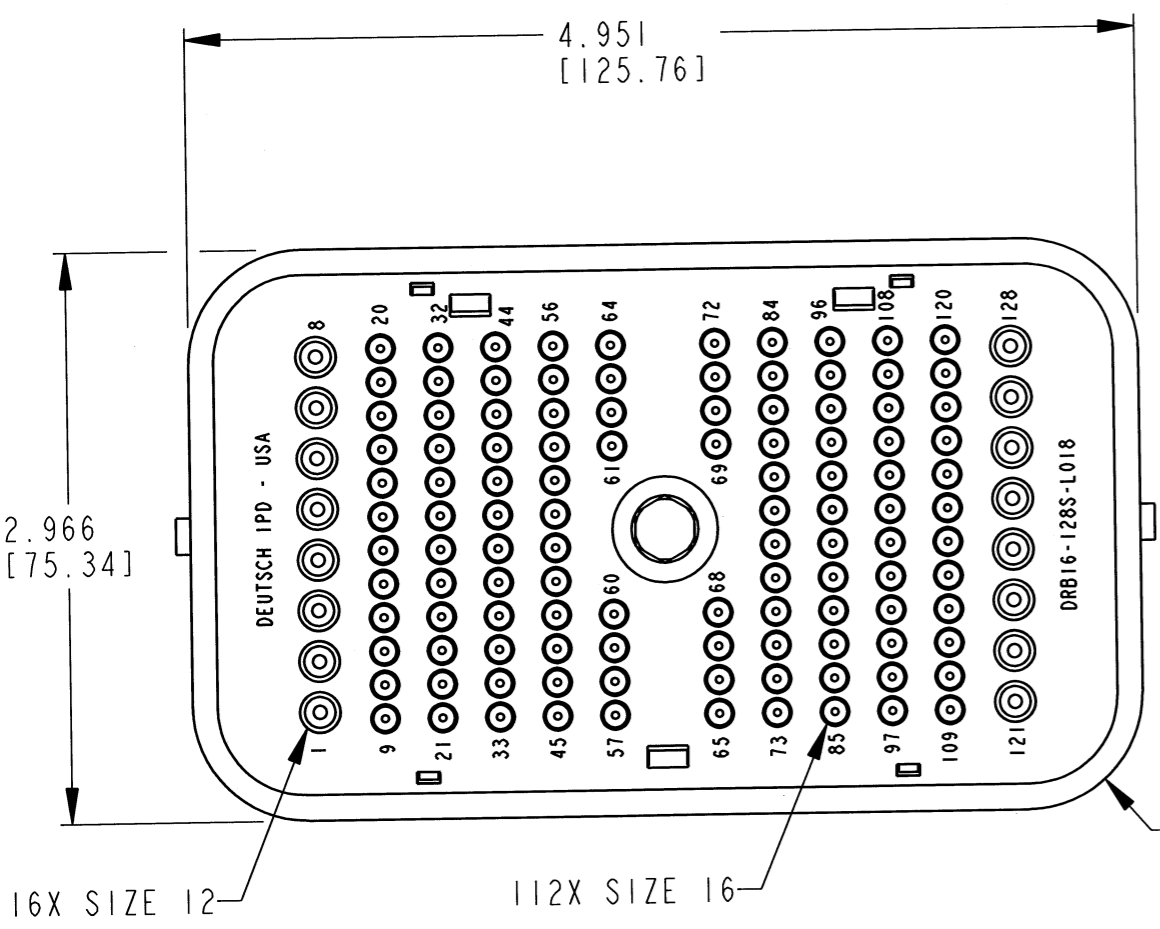


REV B DRB16-128S*E-L018

REVISIONS			
SYM	DESCRIPTION	DATE	APPROVED
NC	NEW RELEASE PER E.O. P20345	10/15/09	R.D.R.
A	REVISED PER E.O. P20365	12/15/09	R.D.R.
B	REVISED PER E.O. P20969	6-10-11	RDR



7. MATING TORQUE REQUIREMENT: 30-35 IN-LB [3.38-3.95NM]

6. WIRE ROUTER CAP IS INCLUDED WITH PLUG (-L018).

5. THIS PLUG MATES WITH DRB12-128P*(N)E-**** RECEPTACLE (* = A,B,C,D KEYS; **** = ALL MODIFICATIONS) CONSULT FACTORY FOR MODS.

4. FOR CONTACTS AND WIRE PERFORMANCE AND APPLICATION CHARACTERISTICS SEE INFORMATION DRAWING 0425-015-0000.

3. ITEMS SOLD SEPARATELY: SECONDARY LOCKS: WB-64S*, (2 REQUIRED). INTERFACE FLANGE: DRBF-1*. (* = A,B,C,D KEYS)

2. DIMENSION TOLERANCE: ±.025 [.64].

1. DIMENSIONS ARE IN INCHES [mm].

NOTES: UNLESS OTHERWISE SPECIFIED.

9. SEE SHEET 2 FOR OTHER KEY ARRANGEMENTS.

8. MATERIAL - PLUG: PLASTIC
SEAL/GROMMET: RUBBER
CLIP: STEEL
BOLT: STEEL WITH SILVER PLATE, BOLT MAY TARNISH.

CONTACT SIZE	MIN. INSUL. O.D. [mm]	MAX. INSUL. O.D. [mm]	WIRE RANGE [mm ²] REF ONLY
12	.097 [2.464]	.158 [4.013]	12-14 AWG [3.0-2.0]
16	.053 [1.346]	.120 [3.048]	14-20 AWG [2.0-0.5]

SIGNATURE & DATE	
DR	P. CARNAHAN 10/7/99
CHK	D. May 6/10/11
PE	Paul M. ... 6/10/11
APPD	R. Reed 6-10-11
SCALE	NONE WT

PLUG, 128 CONTACTS
KEYS: A, B, C, D
"E" SEAL; COLOR: BLACK
-L018 MOD
DRB SERIES
ENVELOPE

EP EP202 MATL. CODE

3850 INDUSTRIAL AVE.
HEMET, CA 92545

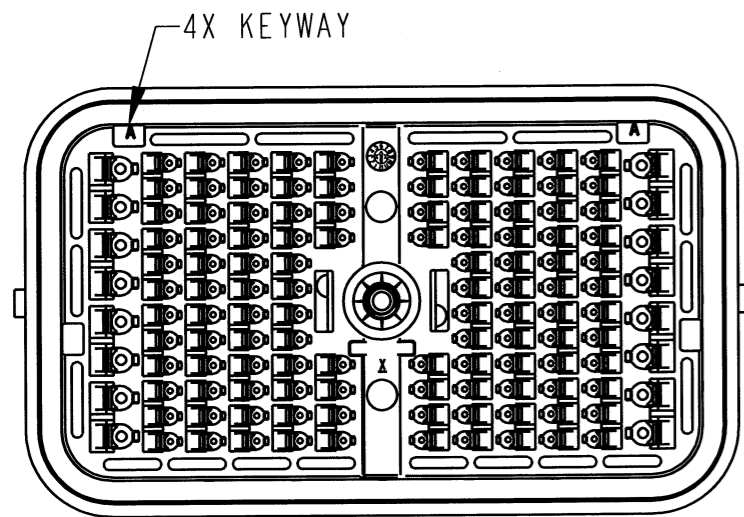
DEUTSCH
INDUSTRIAL

B DRB16-128S*E-L018

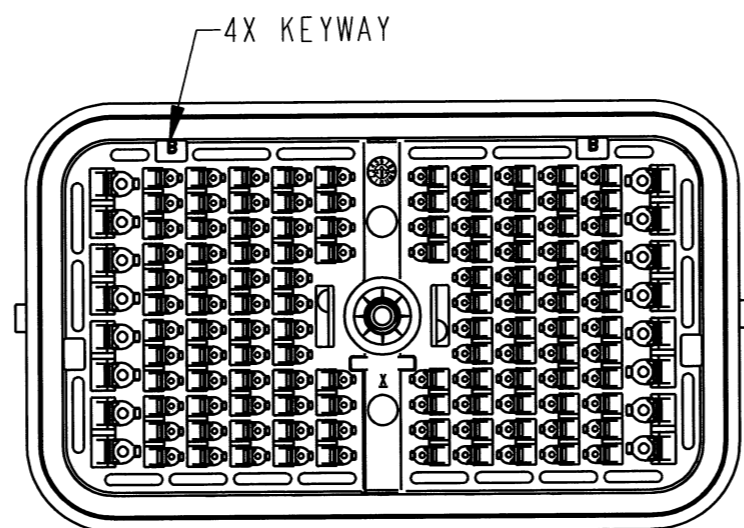
DWG SIZE 11139 SHEET 1 OF 2

REV
B DRB16-128S*E-L018

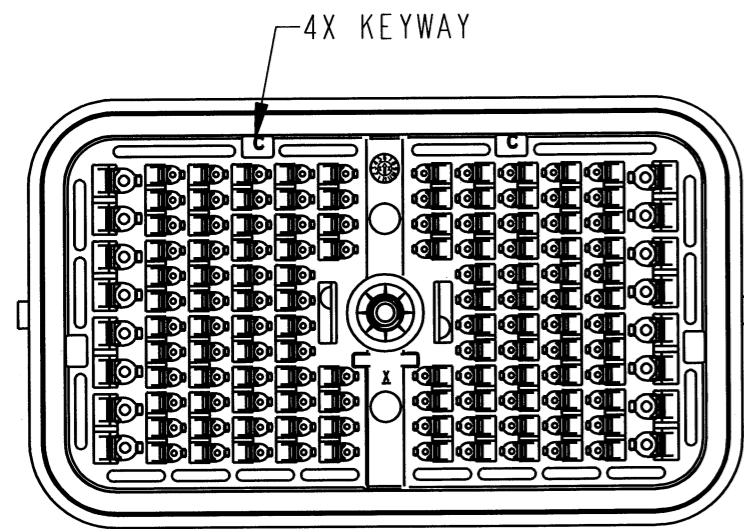
REVISIONS			
SYM	DESCRIPTION	DATE	APPROVED
NC	NEW RELEASE PER E.O. P20345	10/15/09	R.D.R.
A	REVISED PER E.O. P20365	12/15/09	R.D.R.
B	REVISED PER E.O. P20969	6-10-11	RDR



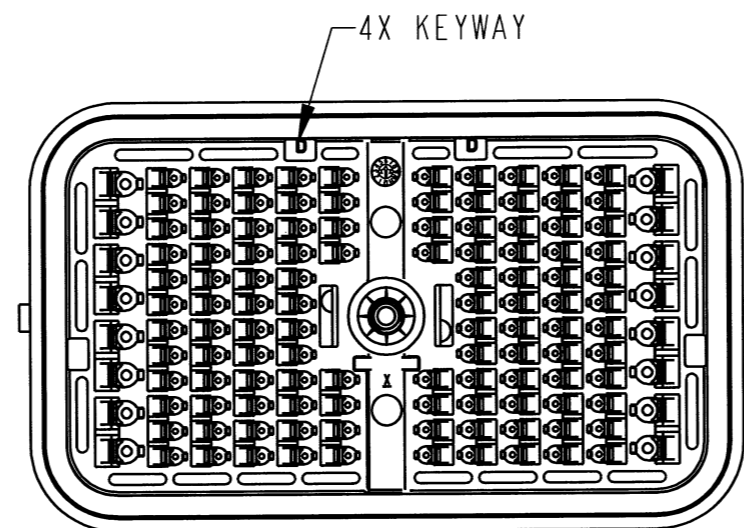
DRB16-128SAE-L018
KEY: A



DRB16-128SBE-L018
KEY: B



DRB16-128SCE-L018
KEY: C



DRB16-128SDE-L018
KEY: D

SIGNATURE & DATE	
DR	P. CARNAHAN 10/7/09
CHK	<i>D. May</i> 6/10/11
PE	<i>Paul M. ...</i> 6/10/11
APPD	<i>R. Reed</i> 6-10-11
SCALE	NONE WT _____

PLUG, 128 CONTACTS
KEYS: A, B, C, D
"E" SEAL; COLOR: BLACK
-L018 MOD
DRB SERIES

ENVELOPE

EP	EP202	MATL. CODE
3850 INDUSTRIAL AVE. HEMET, CA 92545		
B	DRB16-128S* E-L018	
DWG SIZE	CODE 11139	SHEET 2 OF 2

NOTES: SEE SHEET 1.

X-ON Electronics

Largest Supplier of Electrical and Electronic Components

Click to view similar products for [Automotive Connectors](#) category:

Click to view products by [TE Connectivity](#) manufacturer:

Other Similar products are found below :

[003-018-000](#) [60403001](#) [60993906-B](#) [M902-2131](#) [M902-2161](#) [72.330.1035.1](#) [73.353.4028.0](#) [F119300-B](#) [F166900](#) [F258300-B](#) [F358300-B](#)
[F407400](#) [F444110](#) [F487000](#) [F509500B-B](#) [827153-1](#) [8N1515-32-24P](#) [9-1326729-8](#) [925474-1](#) [928905-1](#) [964562-4](#) [968782-1](#) [GT17SA-8DS-](#)
[HU](#) [98891-1012](#) [98947-1016](#) [12004147](#) [12004475-L](#) [12010290](#) [12010309-B](#) [12015454](#) [12020219-B](#) [12020308](#) [12041318-B](#) [12052225-L](#)
[12052466](#) [12059125](#) [12064869](#) [12004327-B](#) [12010503-B](#) [12015308](#) [12015384](#) [12015909](#) [1-21030-1](#) [12041254](#) [12041318](#) [12047946-B](#)
[12047957](#) [12047957-L](#) [12059473](#) [12066261](#)