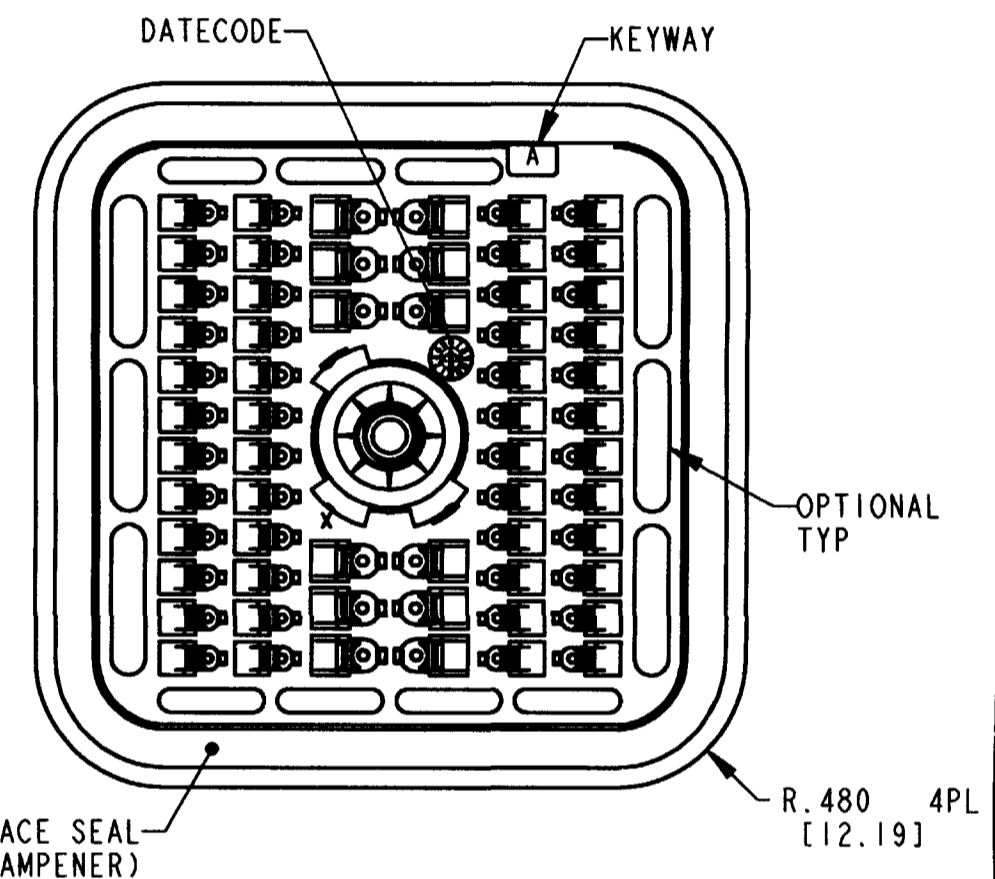
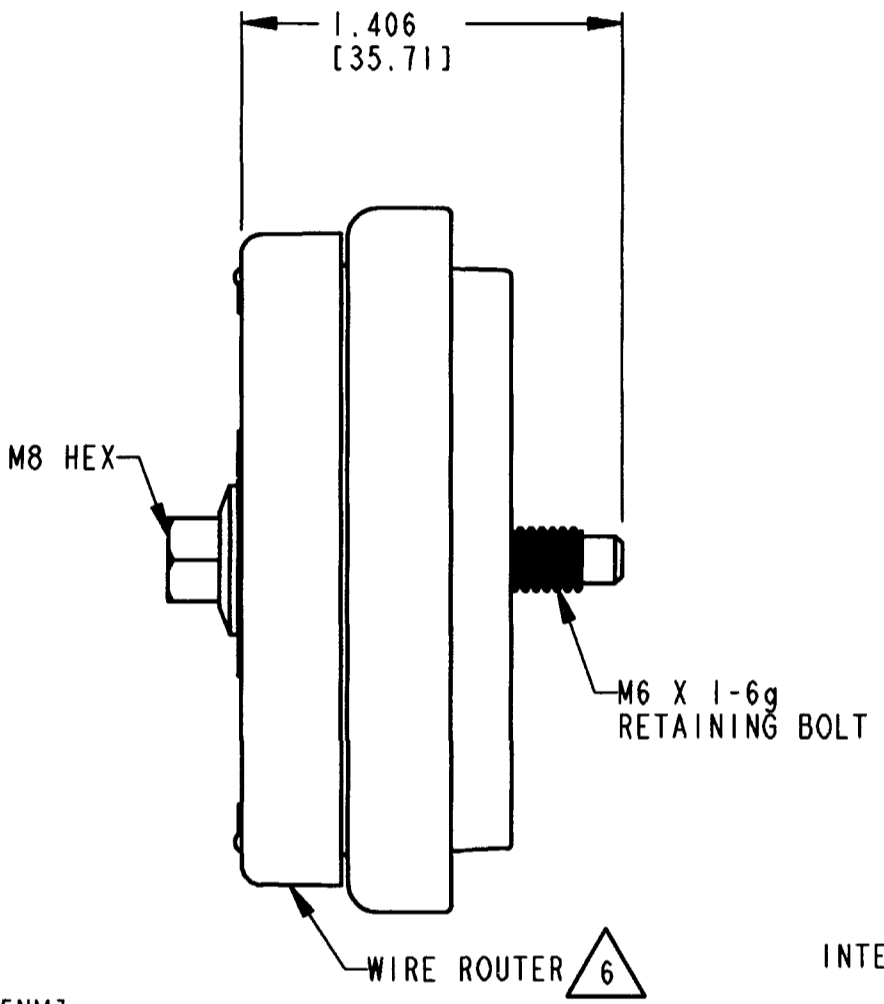
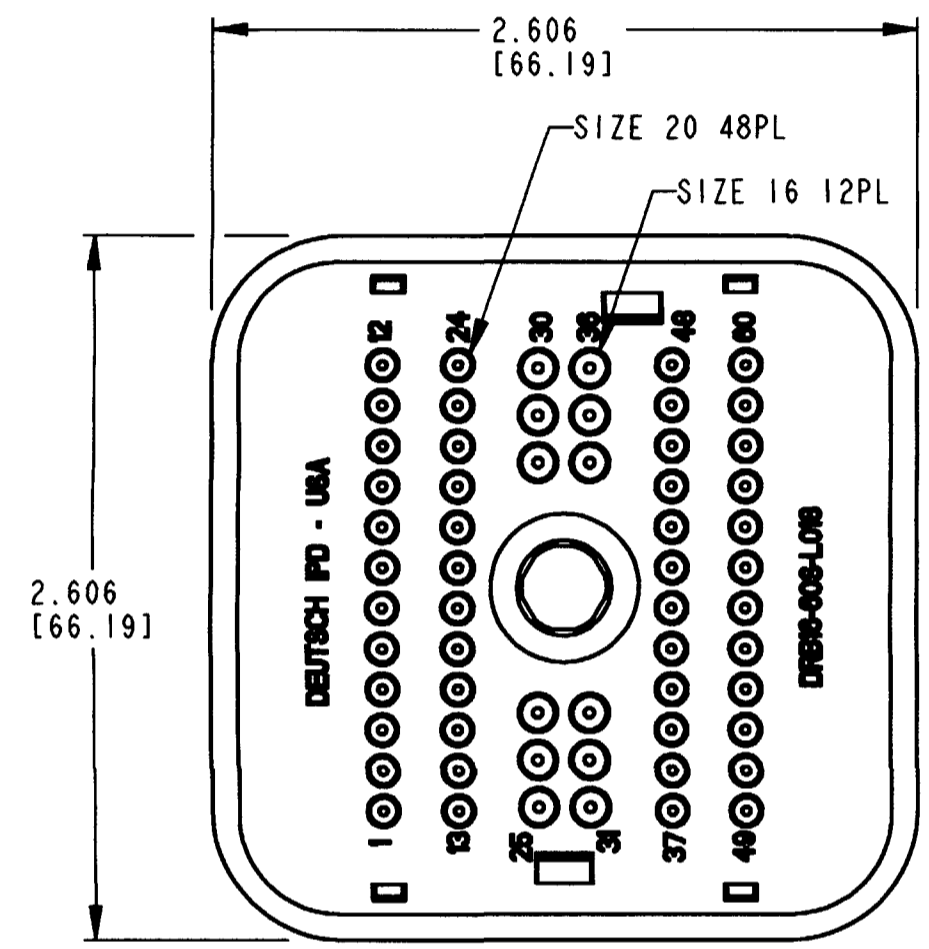


REV NC DRB16-60S\*E-L018

REVISIONS			
SYM	DESCRIPTION	DATE	APPROVED
NC	NEW RELEASE PER E.O. P17208	4-5-01	RDR



- 7. MATING TORQUE REQUIREMENT: 30-35 IN-LB [3.38-3.95NM].
  - 6. WIRE ROUTER CAP IS INCLUDED WITH PLUG (-L018 MOD).
  - 5. THIS PLUG MATES WITH DRB12-60P\*(N)E-\*\*\*\* RECEPTACLE (\* = A,B,C,D KEYS; \*\*\*\* = ALL MODIFICATIONS). CONSULT FACTORY FOR MODS.
  - 4. FOR CONTACTS AND WIRE PERFORMANCE AND APPLICATION CHARACTERISTICS SEE ENVELOPE DRAWING 0425-015-0000.
  - 3. ITEMS SOLD SEPARATELY: SECONDARY LOCK: WB-60S\* INTERFACE FLANGE: DRBF-2\*
  - 2. DIMENSION TOLERANCE: ±.025 [.64].
  - 1. DIMENSIONS ARE IN INCHES [mm].
- NOTES:

- 8. SEE SHEET 2 FOR OTHER KEY ARRANGEMENTS.
- 7. MATERIAL: PLUG: PLASTIC  
SEAL/GROMMET: RUBBER  
BOLT/CLIP: STEEL

CONTACT SIZE	MIN. INSUL. O.D. [mm]	MAX. INSUL. O.D. [mm]	WIRE RANGE [mm <sup>2</sup> ] REF ONLY
16	.053 [1.346]	.120 [3.048]	14-20 AWG [2.0-0.5]
20	.040 [1.016]	.095 [2.413]	16-20 AWG [1.0-0.5]

SIGNATURE & DATE	
DR	S. PALLUTH 03/30/01
CHK	[Signature] 4-4-01
PE	[Signature] 4/2/01
APPD	D. Meyer 4/3/01
SCALE	NONE

PLUG, 60 CONTACTS  
KEYS A, B, C & D  
"E" SEAL, -L018 MOD  
COLOR: BLACK  
DRB SERIES  
ENVELOPE

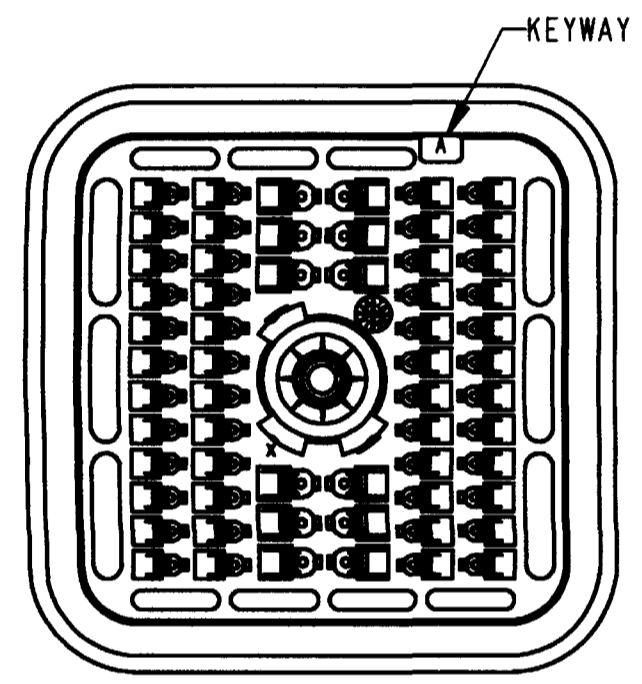
CP EP059 MATL. CODE

**The Deutsch Company**  
DEUTSCH I.P.D.  
3850 INDUSTRIAL AVE.  
HEMET, CALIF. 92545

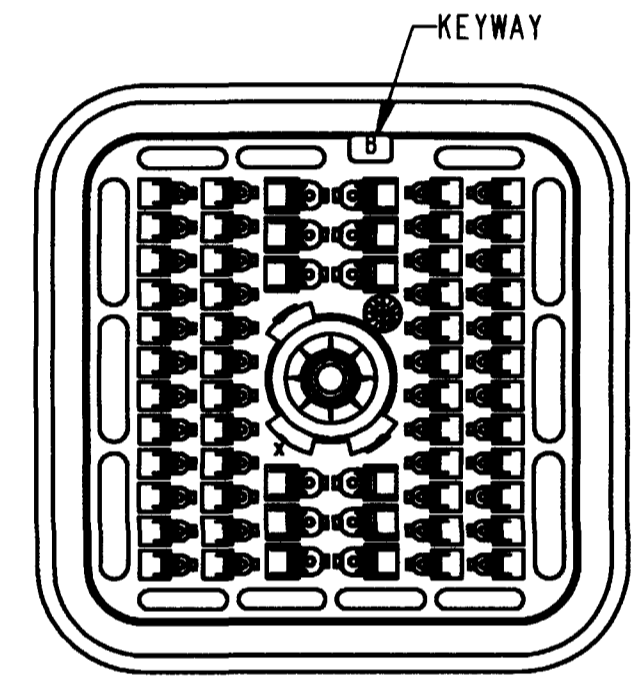
**B DRB16-60S\*E-L018**

DWG. SIZE 11139 CODE SHEET 1 OF 2

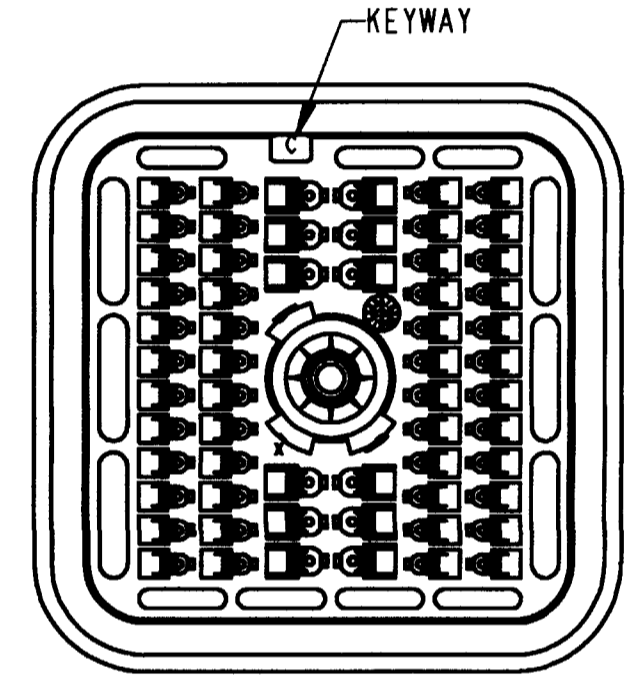
REV NC	DRB16-60S*E-L018	REVISIONS			
		SYM	DESCRIPTION	DATE	APPROVED
		SEE SHEET 1		4-5-01	ROR



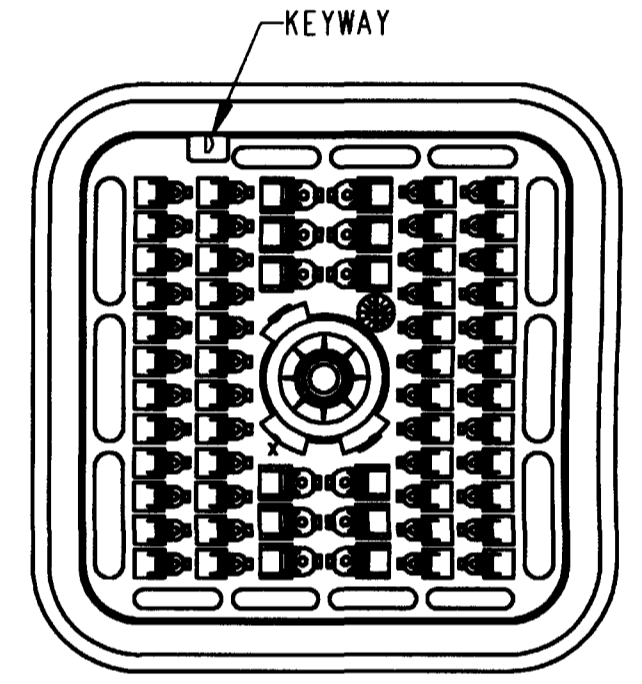
**DRB16-60SAE-L018**  
**KEY ARRANGEMENT -A-**



**DRB16-60SBE-L018**  
**KEY ARRANGEMENT -B-**



**DRB16-60SCE-L018**  
**KEY ARRANGEMENT -C-**



**DRB16-60SDE-L018**  
**KEY ARRANGEMENT -D-**

NOTES:

SIGNATURE & DATE	
DR	S. PALLUTH 03/30/01
CHK	R. Meyer 4-4-01
PE	S. Palluth 4/2/01
APPD	R. Meyer 4/2/01
SCALE	NONE WT

PLUG, 60 CONTACTS  
KEYS A, B, C & D  
"E" SEAL, -L018 MOD  
COLOR: BLACK  
DRB SERIES  
ENVELOPE

CP	EP059	MATL CODE
<b>The Deutsch Company</b> DEUTSCH I.P.D. 3850 INDUSTRIAL AVE. HEMET, CALIF. 92545		
<b>B</b>	<b>DRB16-60S*E-L018</b>	
DWG SIZE	CODE 11139	SHEET 2 OF 2

## X-ON Electronics

Largest Supplier of Electrical and Electronic Components

*Click to view similar products for [Automotive Connectors](#) category:*

*Click to view products by [TE Connectivity](#) manufacturer:*

Other Similar products are found below :

[003-018-000](#) [60403001](#) [60993906-B](#) [M902-2131](#) [M902-2161](#) [72.330.1035.1](#) [73.353.4028.0](#) [F119300-B](#) [F166900](#) [F258300-B](#) [F358300-B](#)  
[F407400](#) [F444110](#) [F487000](#) [F509500B-B](#) [827153-1](#) [8N1515-32-24P](#) [9-1326729-8](#) [925474-1](#) [928905-1](#) [964562-4](#) [968782-1](#) [GT17SA-8DS-](#)  
[HU](#) [98891-1012](#) [98947-1016](#) [12004147](#) [12004475-L](#) [12010290](#) [12010309-B](#) [12015454](#) [12020219-B](#) [12020308](#) [12041318-B](#) [12052225-L](#)  
[12052466](#) [12059125](#) [12064869](#) [12004327-B](#) [12010503-B](#) [12015308](#) [12015384](#) [12015909](#) [1-21030-1](#) [12041254](#) [12041318](#) [12047946-B](#)  
[12047957](#) [12047957-L](#) [12059473](#) [12066261](#)