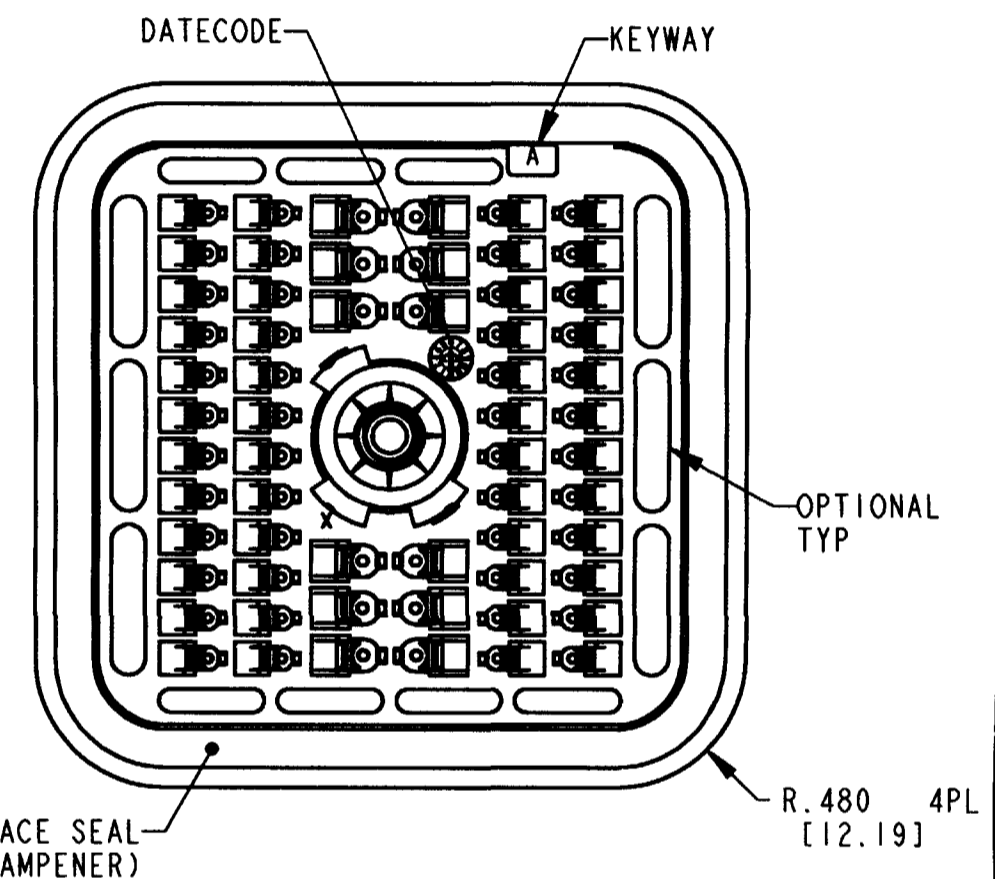
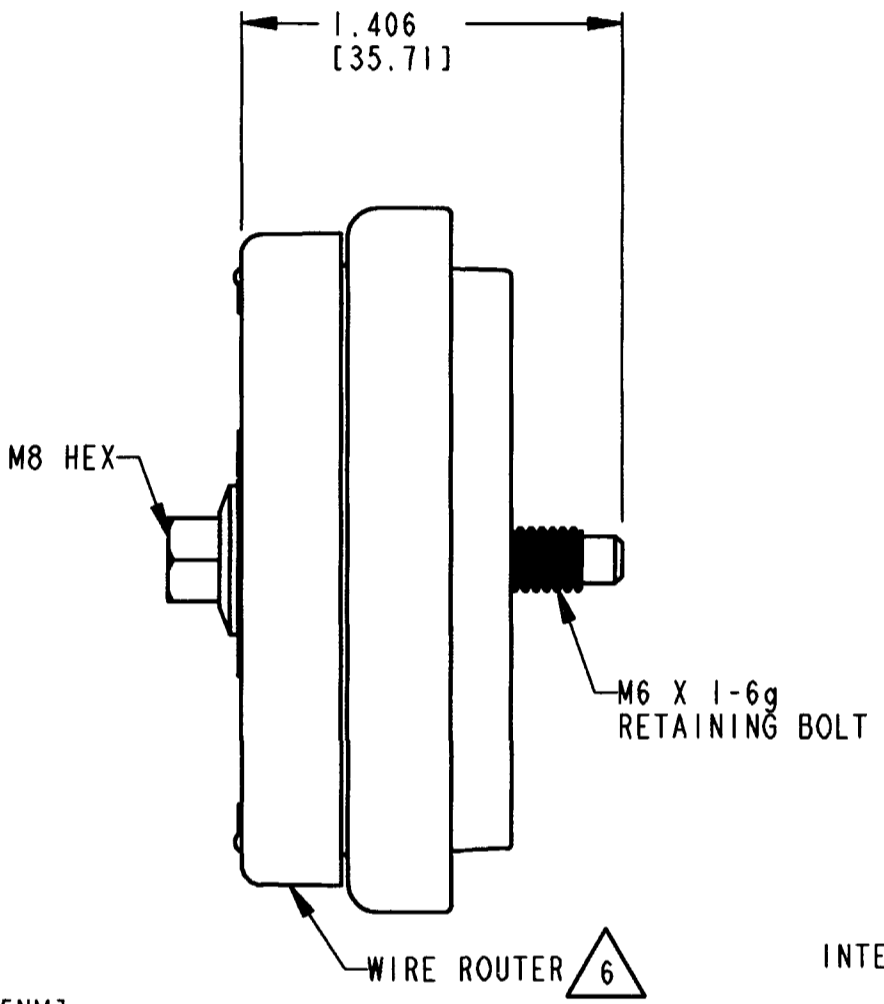
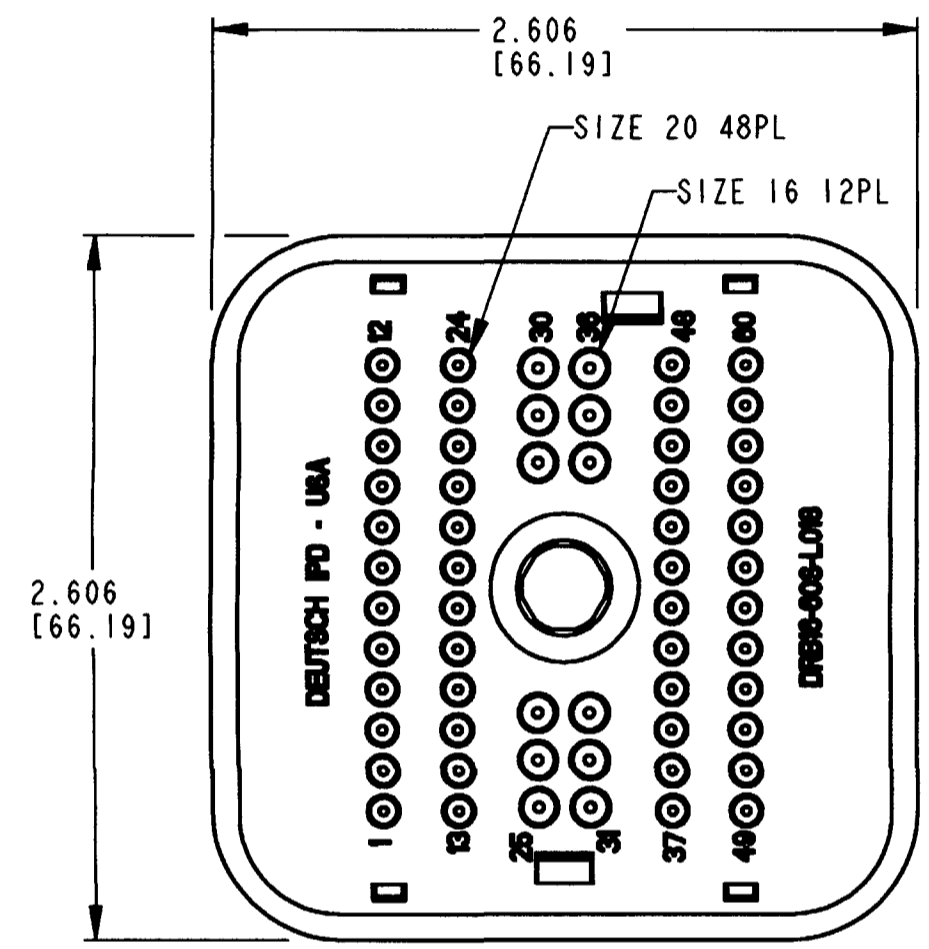


REV NC DRB16-60S*E-L018

REVISIONS			
SYM	DESCRIPTION	DATE	APPROVED
NC	NEW RELEASE PER E.O. P17208	4-5-01	RDR



- 7. MATING TORQUE REQUIREMENT: 30-35 IN-LB [3.38-3.95NM].
 - 6. WIRE ROUTER CAP IS INCLUDED WITH PLUG (-L018 MOD).
 - 5. THIS PLUG MATES WITH DRB12-60P*(N)E-**** RECEPTACLE (* = A,B,C,D KEYS; **** = ALL MODIFICATIONS). CONSULT FACTORY FOR MODS.
 - 4. FOR CONTACTS AND WIRE PERFORMANCE AND APPLICATION CHARACTERISTICS SEE ENVELOPE DRAWING 0425-015-0000.
 - 3. ITEMS SOLD SEPARATELY: SECONDARY LOCK: WB-60S* INTERFACE FLANGE: DRBF-2*
 - 2. DIMENSION TOLERANCE: ±.025 [.64].
 - 1. DIMENSIONS ARE IN INCHES [mm].
- NOTES:

- 8. SEE SHEET 2 FOR OTHER KEY ARRANGEMENTS.
- 7. MATERIAL: PLUG: PLASTIC
SEAL/GROMMET: RUBBER
BOLT/CLIP: STEEL

CONTACT SIZE	MIN. INSUL. O.D. [mm]	MAX. INSUL. O.D. [mm]	WIRE RANGE [mm ²] REF ONLY
16	.053 [1.346]	.120 [3.048]	14-20 AWG [2.0-0.5]
20	.040 [1.016]	.095 [2.413]	16-20 AWG [1.0-0.5]

SIGNATURE & DATE	
DR	S. PALLUTH 03/30/01
CHK	[Signature] 4-4-01
PE	[Signature] 4/2/01
APPD	D. Meyer 4/3/01
SCALE	NONE

PLUG, 60 CONTACTS
KEYS A, B, C & D
"E" SEAL, -L018 MOD
COLOR: BLACK
DRB SERIES
ENVELOPE

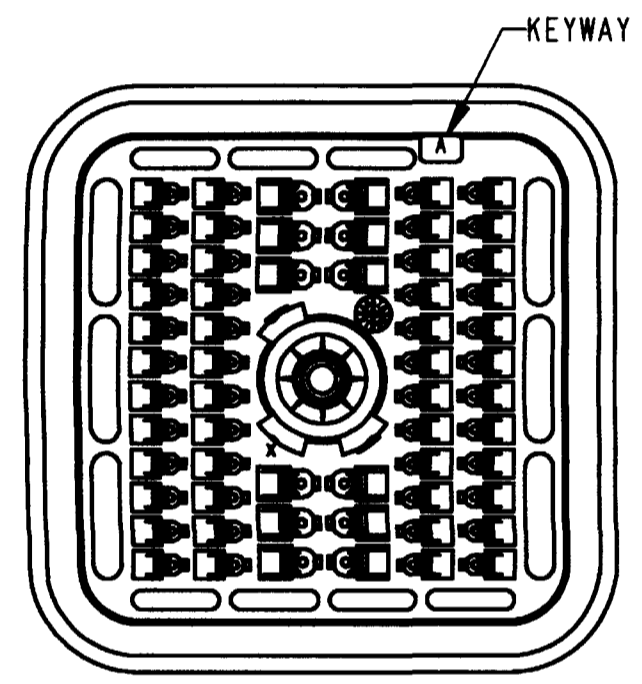
CP EP059 MATL. CODE

The Deutsch Company
DEUTSCH I.P.D.
3850 INDUSTRIAL AVE.
HEMET, CALIF. 92545

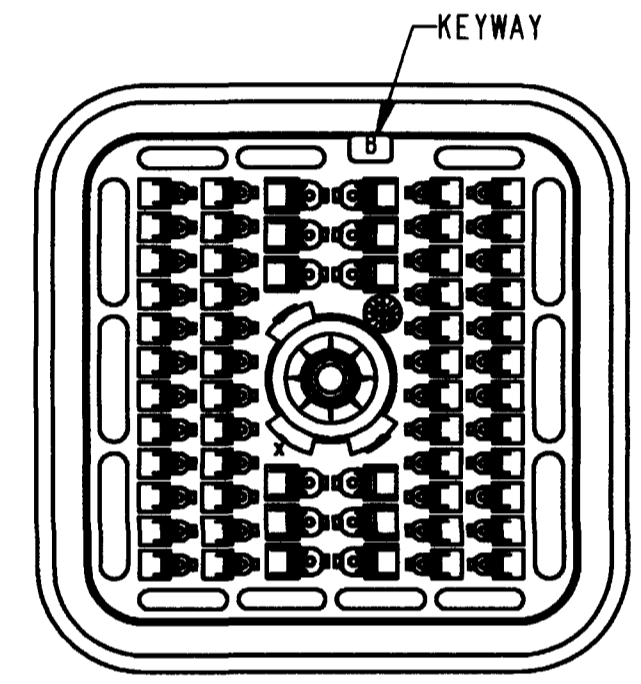
B DRB16-60S*E-L018

DWG SIZE CODE 11139 SHEET 1 OF 2

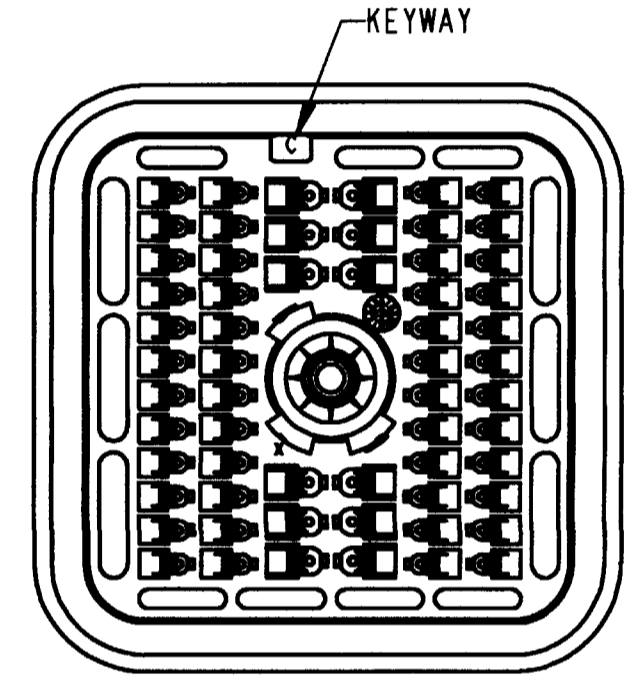
REV NC	DRB16-60S*E-L018	REVISIONS			
		SYM	DESCRIPTION	DATE	APPROVED
			SEE SHEET 1	4-5-01	ROR



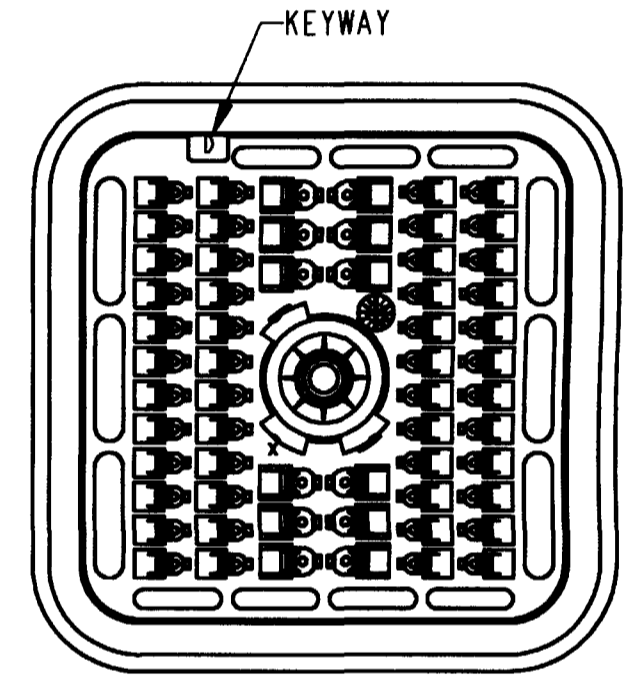
DRB16-60SAE-L018
KEY ARRANGEMENT -A-



DRB16-60SBE-L018
KEY ARRANGEMENT -B-



DRB16-60SCE-L018
KEY ARRANGEMENT -C-



DRB16-60SDE-L018
KEY ARRANGEMENT -D-

NOTES:

SIGNATURE & DATE	
DR	S. PALLUTH 03/30/01
CHK	R. Meyer 4-4-01
PE	S. Palluth 4/2/01
APPD	R. Meyer 4/2/01
SCALE	NONE WT

PLUG, 60 CONTACTS
KEYS A, B, C & D
"E" SEAL, -L018 MOD
COLOR: BLACK
DRB SERIES
ENVELOPE

CP	EP059	MATL CODE
The Deutsch Company DEUTSCH I.P.D. 3850 INDUSTRIAL AVE. HEMET, CALIF. 92545		
B	DRB16-60S*E-L018	
DWG SIZE	CODE 11139	SHEET 2 OF 2

X-ON Electronics

Largest Supplier of Electrical and Electronic Components

Click to view similar products for [Automotive Connectors](#) category:

Click to view products by [TE Connectivity](#) manufacturer:

Other Similar products are found below :

[003-018-000](#) [60403001](#) [60993906-B](#) [M902-2131](#) [M902-2161](#) [72.330.1035.1](#) [73.353.4028.0](#) [F119300-B](#) [F166900](#) [F258300-B](#) [F358300-B](#)
[F407400](#) [F444110](#) [F487000](#) [F509500B-B](#) [827153-1](#) [8N1515-32-24P](#) [9-1326729-8](#) [925474-1](#) [928905-1](#) [964562-4](#) [968782-1](#) [GT17SA-8DS-](#)
[HU](#) [98891-1012](#) [98947-1016](#) [12004147](#) [12004475-L](#) [12010290](#) [12010309-B](#) [12015454](#) [12020219-B](#) [12020308](#) [12041318-B](#) [12052225-L](#)
[12052466](#) [12059125](#) [12064869](#) [12004327-B](#) [12010503-B](#) [12015308](#) [12015384](#) [12015909](#) [1-21030-1](#) [12041254](#) [12041318](#) [12047946-B](#)
[12047957](#) [12047957-L](#) [12059473](#) [12066261](#)