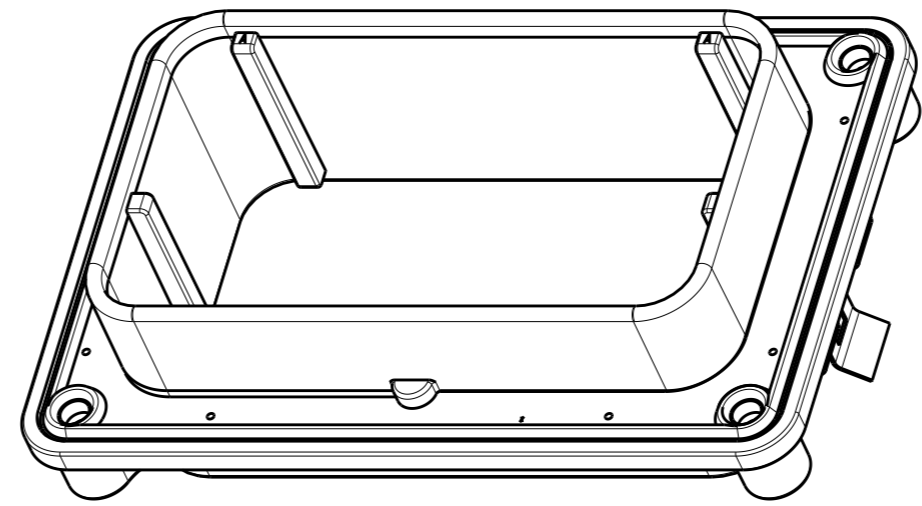
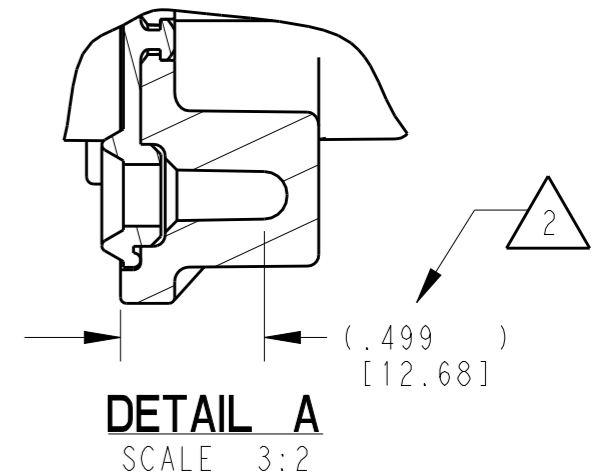
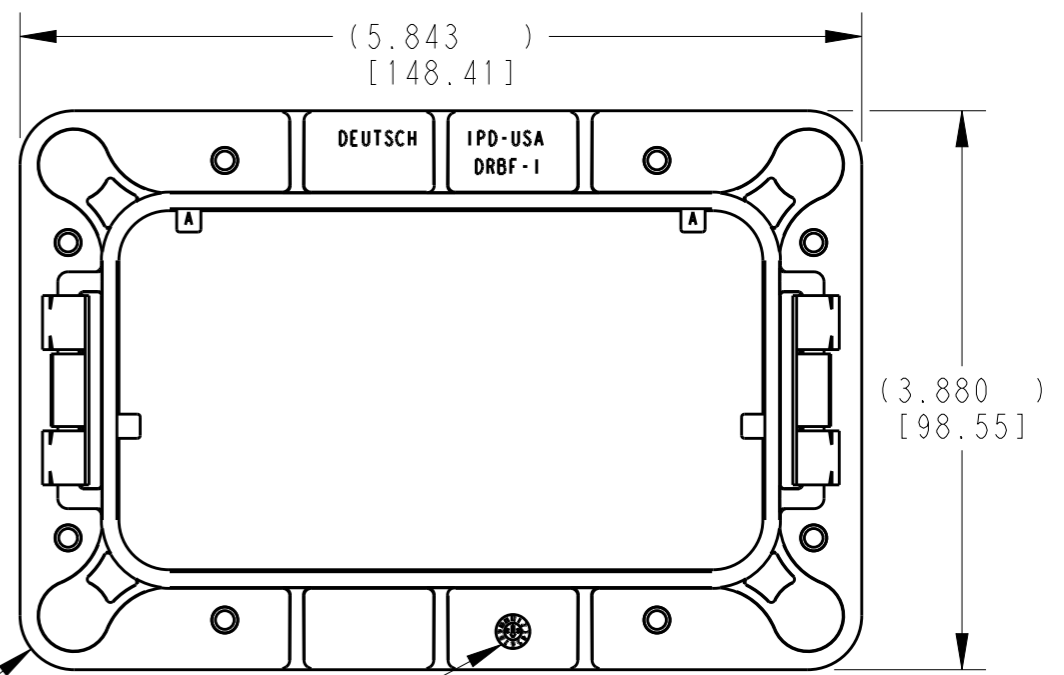
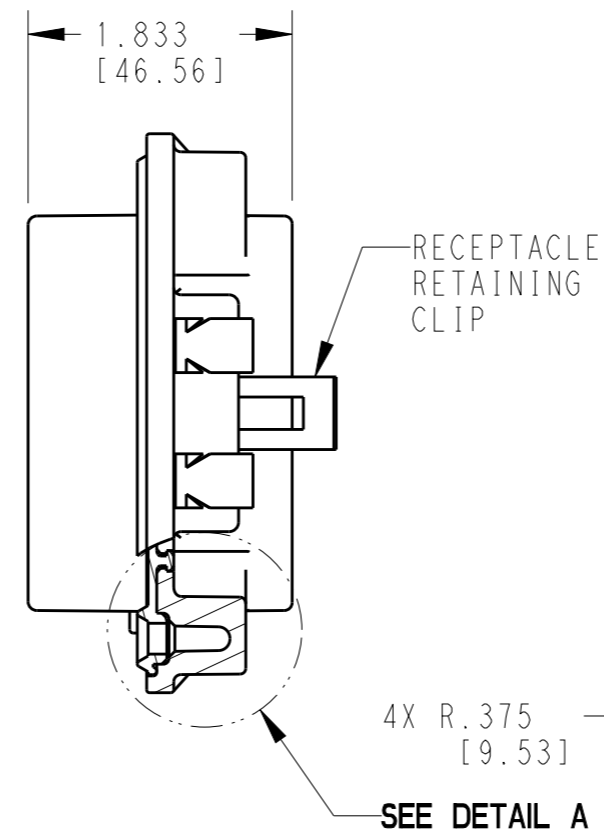
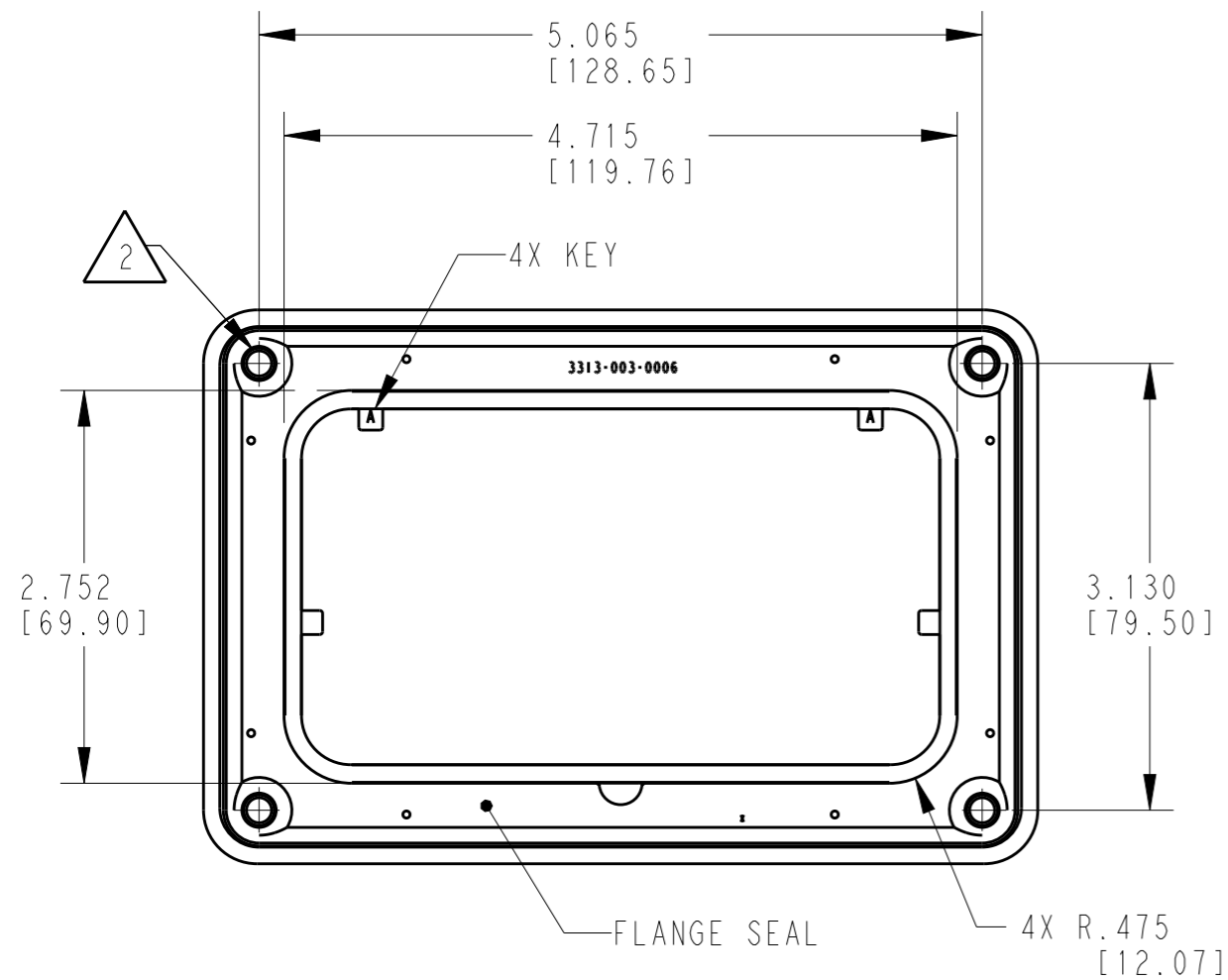


P	LTR	DESCRIPTION	DATE	DWN	APVD
	C1	REVISED PER PCN E-18-003645	08MAR2018	AJ	DM
	C2	REVISED PER PCN E-18-016049	10OCT2018	SS	DM



- 6. SEE SHEET 2 FOR OTHER KEY ARRANGEMENTS.
- 5. SURFACE FINISH: 32 RMS [0.80µm] OR BETTER
- 4. MATERIAL- FLANGE: PA66 GF15 (BLACK)
FLANGE SEAL: VMO (RED-ORANGE)
RECEPTACLE RETAINING CLIP: STEEL
- 3. THIS PART MATES WITH DRB12-102PXNE-XXXX, DRB12-128PXNE-XXXX & DRB12-128PXE-XXXX RECEPTACLE AND DRB16-102SXE-XXXX & DRB16-128SXE-XXXX PLUG. (X = A,B,C,D KEYS; XXXX = ALL MODIFICATIONS) CONSULT FACTORY FOR MODS.
- 2. RECOMMENDED SCREW: 10-14 [M5.28 X 1.81] SINGLE HELIX THREAD. SCREW LENGTH DEFINED BY CUSTOMER. RECOMMENDED TORQUE 20 +5/-0 IN-LB. [2.26 +0.6/-0 NM]. CUSTOMER SUPPLIED.
- 1. PANEL CUTOUT TOLERANCE ±.010 [0.25].

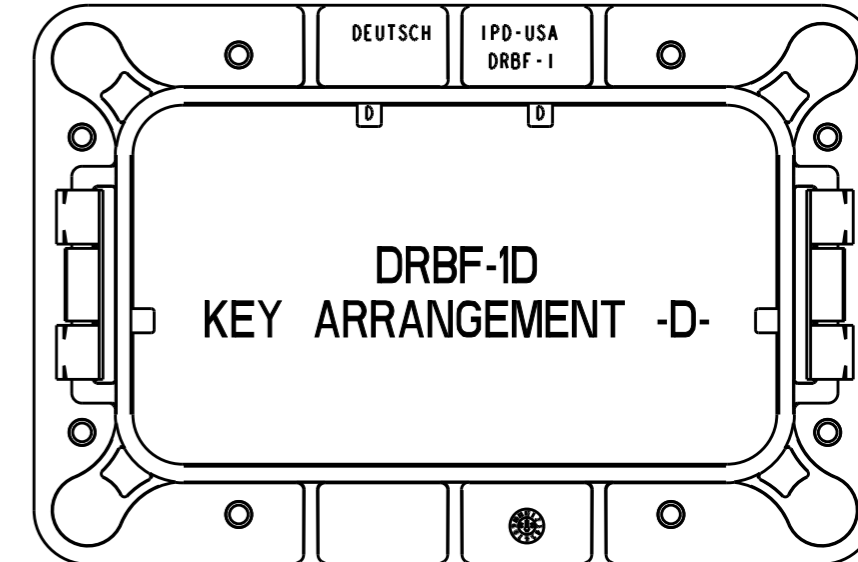
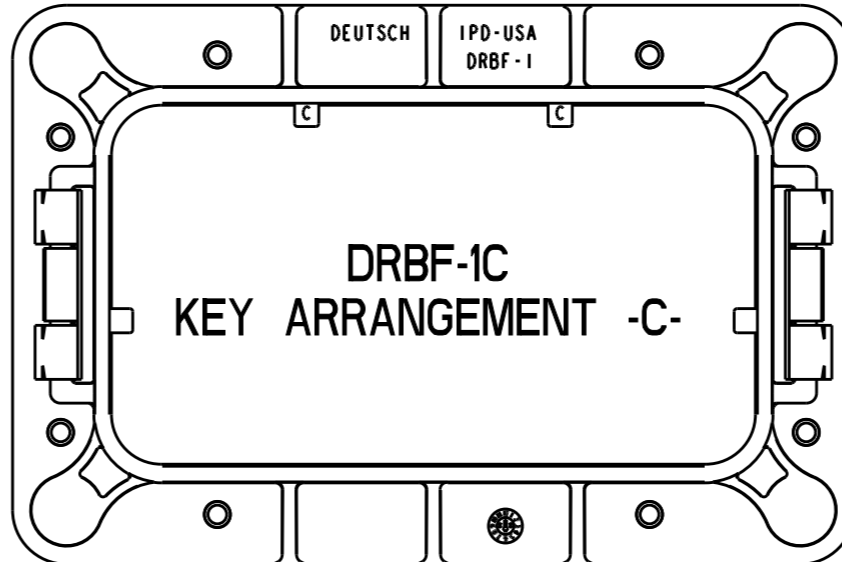
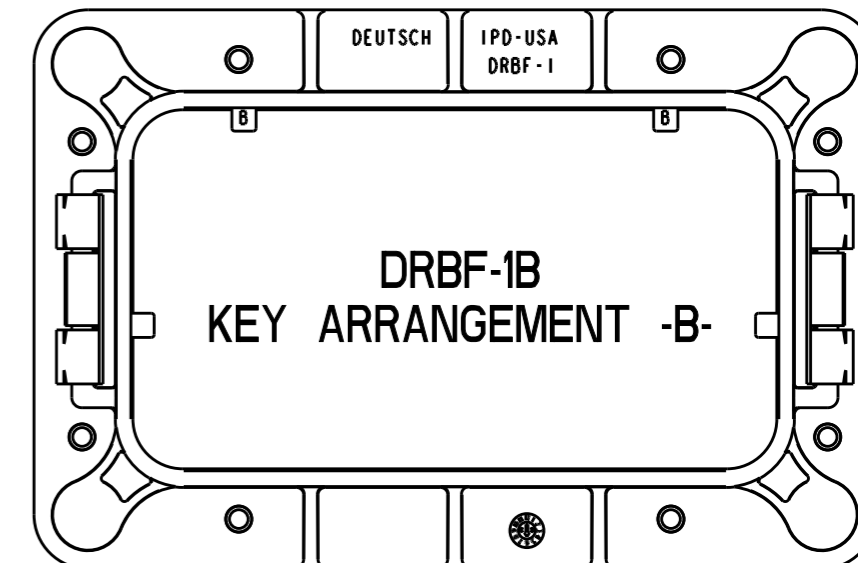
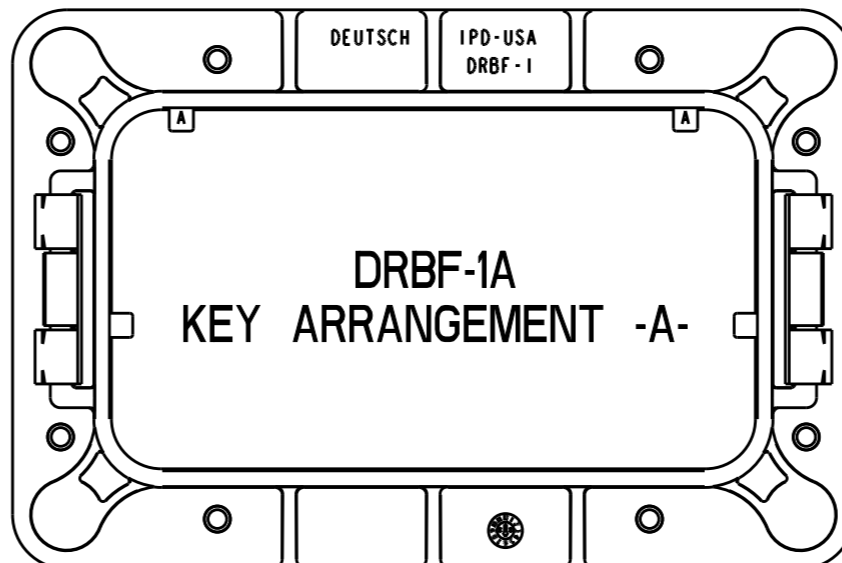
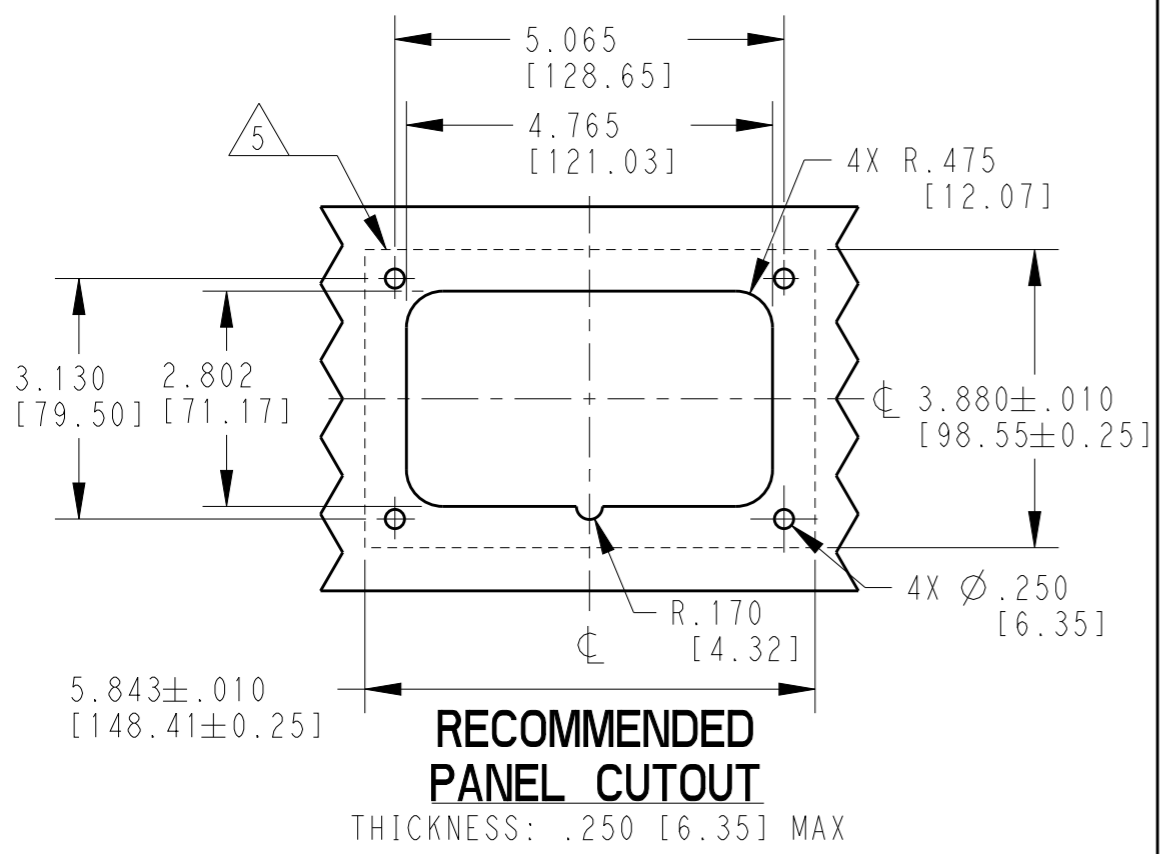
TE INTERNAL PN	DEUTSCH PN
DRBF-1A	DRBF-1A
DRBF-1B	DRBF-1B
DRBF-1C	DRBF-1C
DRBF-1D	DRBF-1D

THIS DRAWING IS A CONTROLLED DOCUMENT.		DWN J. APOSTOL 13DEC2012	TE TE Connectivity			
DIMENSIONS: in [mm]		CHK PAULA CARNAHAN 18DEC2012				
TOLERANCES UNLESS OTHERWISE SPECIFIED:		APVD D. MEYER 18DEC2012	NAME INTERFACE FLANGE KEYS A, B, C AND D DRB SERIES COLOR: BLACK			
0 PLC ±		PRODUCT SPEC -	SIZE A3	CAGE CODE 4AFU8	DRAWING NO. C-DRBF-1X	RESTRICTED TO -
1 PLC ±		APPLICATION SPEC -	SCALE 3:4		SHEET 1 OF 2	REV C2
2 PLC ±		WEIGHT 145 g	CUSTOMER DRAWING			
3 PLC ±.025 [0.64]						
4 PLC ±						
ANGLES ±0°30'0"						
FINISH						
MATERIAL 4						

THIS DRAWING IS UNPUBLISHED. RELEASED FOR PUBLICATION 2018. © COPYRIGHT 2012 BY TE CONNECTIVITY ALL RIGHTS RESERVED.

REVISIONS

P	LTR	DESCRIPTION	DATE	DWN	APVD
-	-	SEE SHEET 1	-	-	-



THIS DRAWING IS A CONTROLLED DOCUMENT.		DWN J. APOSTOL 13DEC2012		
DIMENSIONS: in [mm]		CHK PAULA CARNAHAN 18DEC2012		
TOLERANCES UNLESS OTHERWISE SPECIFIED:		APVD D. MEYER 18DEC2012	NAME INTERFACE FLANGE KEYS A, B, C AND D DRB SERIES COLOR: BLACK	
0 PLC ±		PRODUCT SPEC -	SIZE A3	RESTRICTED TO -
1 PLC ±		APPLICATION SPEC -	CAGE CODE 4AFU8	DRAWING NO. C-DRBF-1X
2 PLC ±		WEIGHT 145 g	SCALE 3:4	
3 PLC ±.025 [0.64]		CUSTOMER DRAWING	SHEET 2 OF 2	REV C2
4 PLC ±				
ANGLES ±0°30'0"				
MATERIAL				
FINISH				

X-ON Electronics

Largest Supplier of Electrical and Electronic Components

Click to view similar products for [Automotive Connectors](#) category:

Click to view products by [TE Connectivity](#) manufacturer:

Other Similar products are found below :

[003-018-000](#) [60403001](#) [60993906-B](#) [M902-2131](#) [M902-2161](#) [72.330.1035.1](#) [73.353.4028.0](#) [F119300-B](#) [F166900](#) [F258300-B](#) [F358300-B](#)
[F407400](#) [F444110](#) [F487000](#) [F509500B-B](#) [827153-1](#) [8N1515-32-24P](#) [9-1326729-8](#) [925474-1](#) [928905-1](#) [964562-4](#) [968782-1](#) [GT17SA-8DS-](#)
[HU](#) [98891-1012](#) [98947-1016](#) [12004147](#) [12004475-L](#) [12010290](#) [12010309-B](#) [12015454](#) [12020219-B](#) [12020308](#) [12041318-B](#) [12052225-L](#)
[12052466](#) [12059125](#) [12064869](#) [12004327-B](#) [12010503-B](#) [12015308](#) [12015384](#) [12015909](#) [1-21030-1](#) [12041254](#) [12041318](#) [12047946-B](#)
[12047957](#) [12047957-L](#) [12059473](#) [12066261](#)