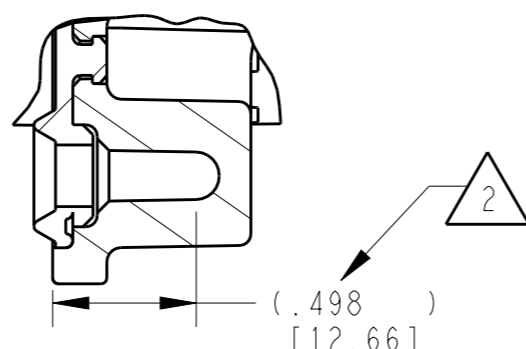
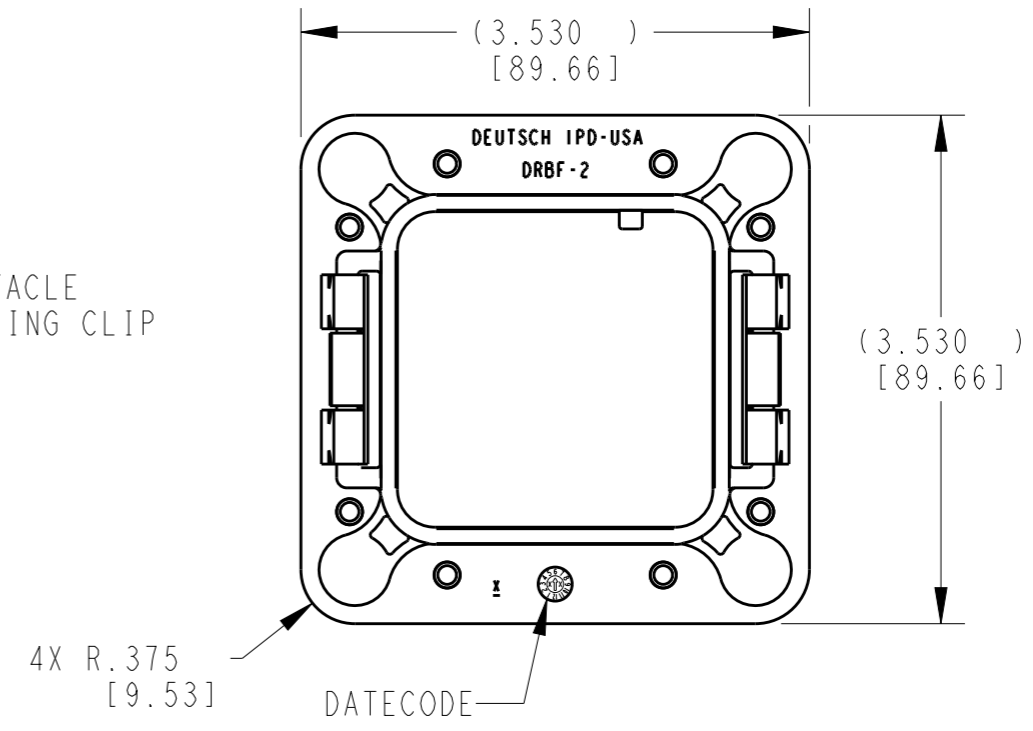
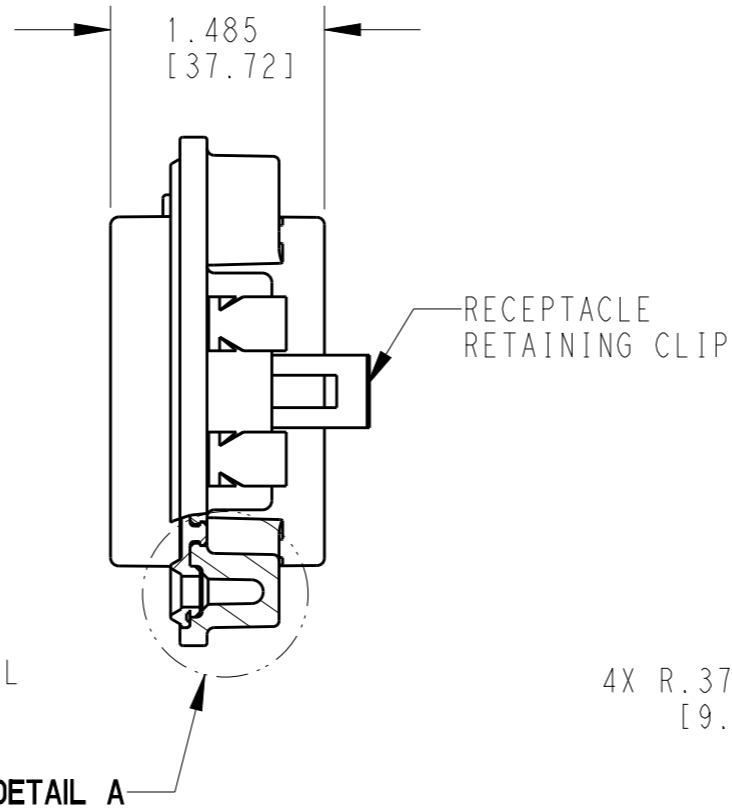
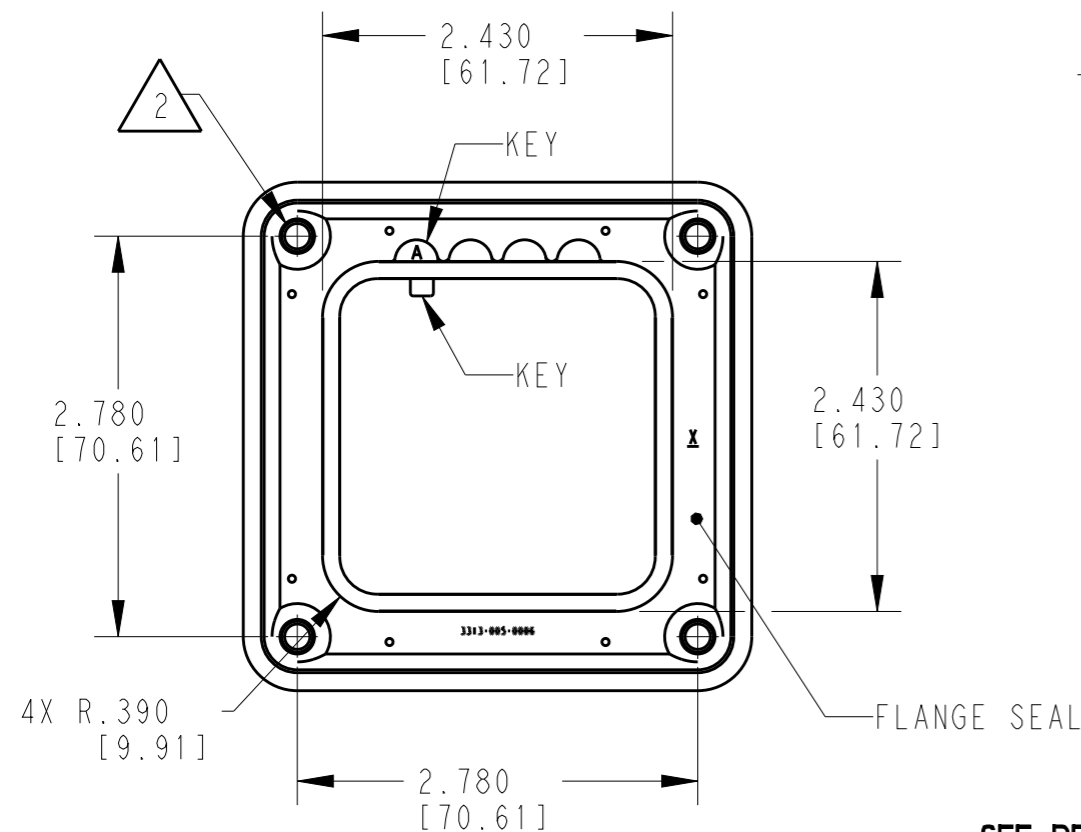
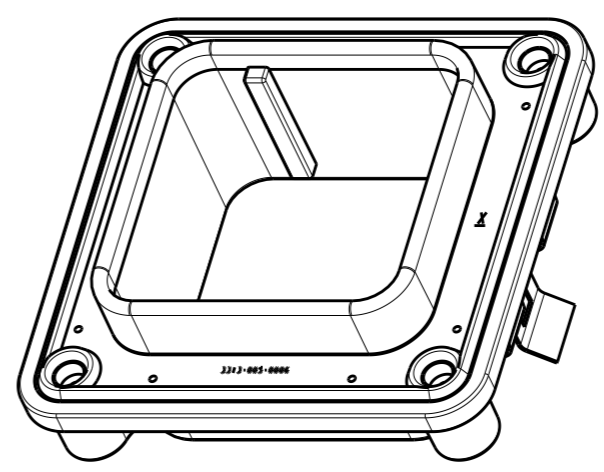


REVISIONS					
P	LTR	DESCRIPTION	DATE	DWN	APVD
	A	REVISED PER PCN E-18-003645	08MAR2018	AJ	DM
	A1	REVISED PER PCN E-18-016049	10OCT2018	SS	DM



DETAIL A
SCALE 3:2



- 7. SEE SHEET 2 FOR OTHER KEY ARRANGEMENTS.
- 6. CONSULT FACTORY FOR APPLICATION.
- 5. SURFACE FINISH: 32 RMS [0.80µm] OR BETTER
- 4. MATERIAL: FLANGE: PA66 GF15 (BLACK)
FLANGE SEAL: VWQ (RED-ORANGE)
RECEPTACLE RETAINING CLIP: STEEL
- 3. THIS PART MATES WITH DRB12-48PXE-XXXX, DRB12-60PXE-XXXX, DRB12-60PXNE-XXXX RECEPTACLE AND DRB16-48SXE-XXXX, DRB16-60SXE-XXXX PLUG. (X = A,B,C,D KEYS; XXXX = ALL MODIFICATIONS) CONSULT FACTORY FOR MODS.

2. RECOMMENDED SCREW: 10-14 [M5.28 X 1.81] SINGLE HELIX THREAD. SCREW LENGTH DEFINED BY CUSTOMER. RECOMMENDED TORQUE: 20 +5/-0 IN-LB. [2.26 +0.6/-0 NM] CUSTOMER SUPPLIED.

1. PANEL CUTOUT TOLERANCE ±.010 [0.25].

NOTES:

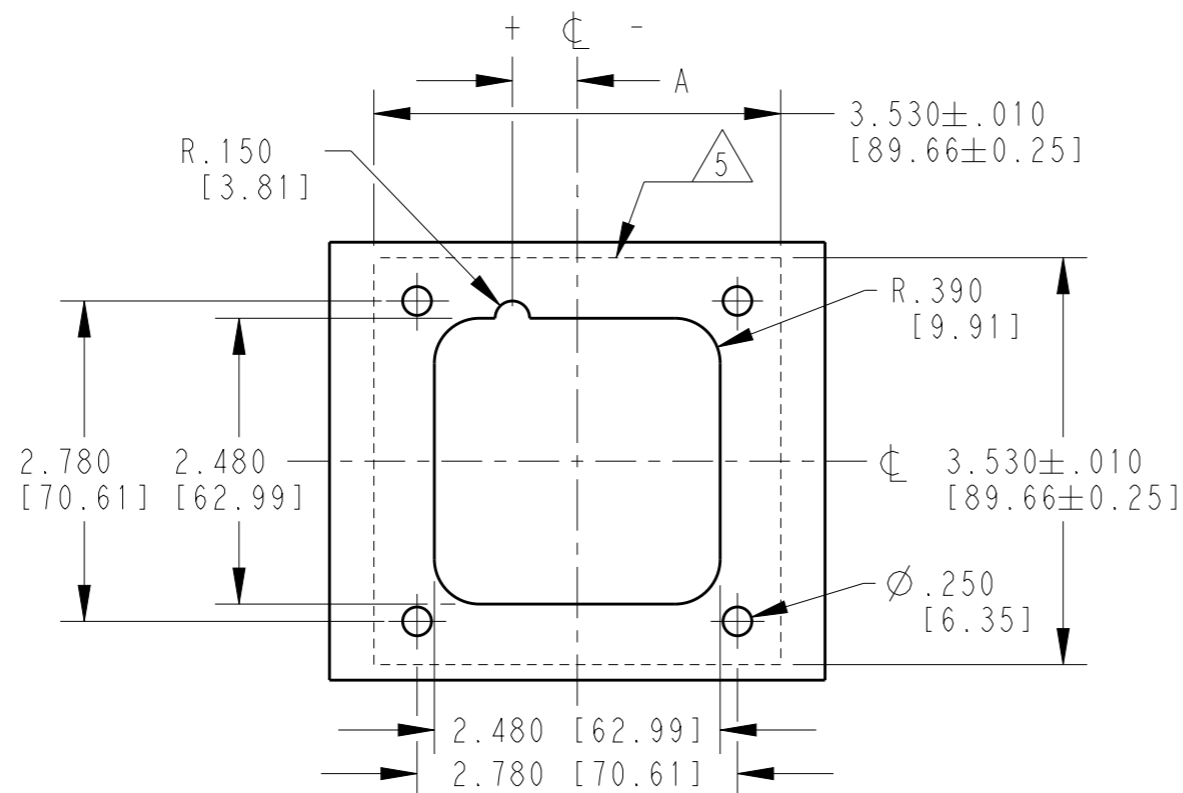
TE INTERNAL PN	DEUTSCH PN
DRBF-2A	DRBF-2A
DRBF-2B	DRBF-2B
DRBF-2C	DRBF-2C
DRBF-2D	DRBF-2D

THIS DRAWING IS A CONTROLLED DOCUMENT.		DWN S. PALLUTH 03FEB2001		TE Connectivity	
DIMENSIONS: in [mm]		CHK S. PALLUTH 03FEB2001			
TOLERANCES UNLESS OTHERWISE SPECIFIED:		APVD D. MEYER 03FEB2001		NAME INTERFACE FLANGE KEY ARRANGEMENTS A, B, C AND D DRB SERIES. COLOR: BLACK	
0 PLC ±		PRODUCT SPEC -		SIZE A3	
1 PLC ±		APPLICATION SPEC -		CAGE CODE 4AFU8	
2 PLC ±		WEIGHT 136 g		DRAWING NO. DRBF-2X	
3 PLC ±.025 [0.64]		CUSTOMER DRAWING		RESTRICTED TO -	
4 PLC ±		SCALE 3:4		SHEET 1 OF 2	
ANGLES ±0°30'0"		REV A1			
FINISH					

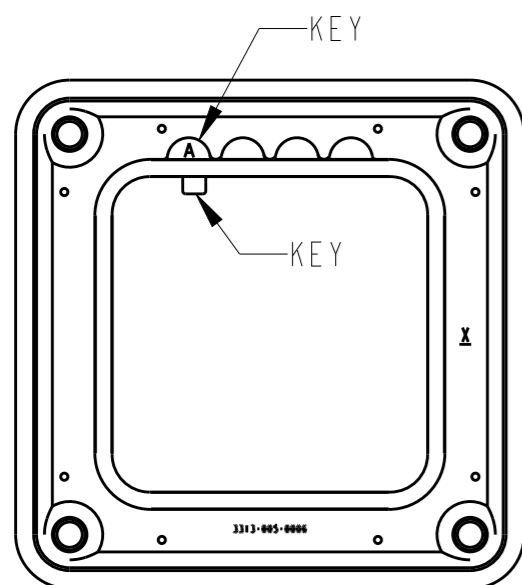
RECOMMENDED PANEL CUTOUT

THICKNESS .126 [3.20] MAX
(CUTOUT FOR DRBF-2A SHOWN AS EXAMPLE)

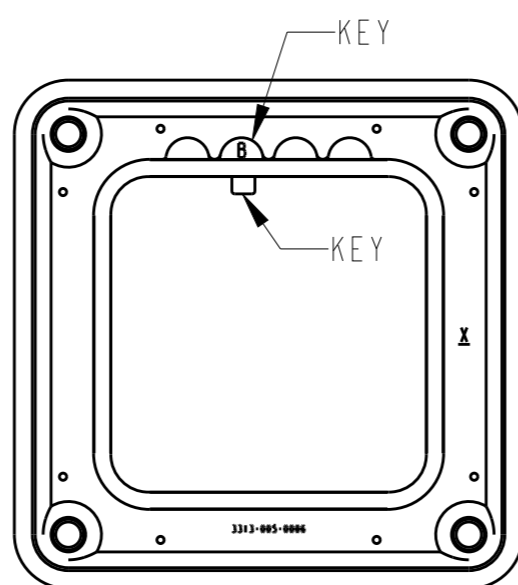
INTERFACE FLANGE P/N	DIMENSION "A"
DRBF-2A	.563 [14.30]
DRBF-2B	.188 [4.78]
DRBF-2C	-.188 [-4.78]
DRBF-2D	-.563 [-14.30]



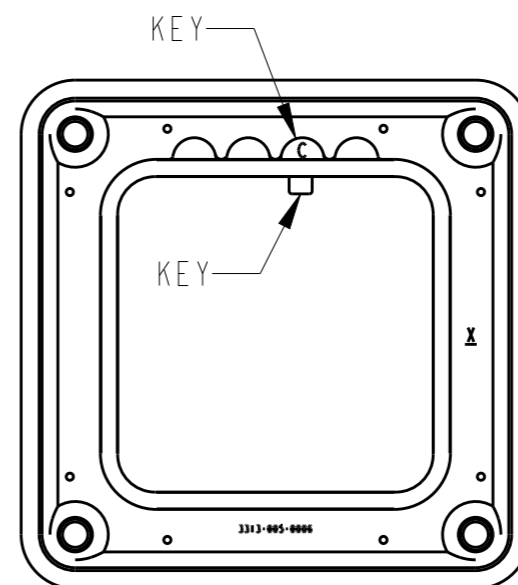
REVISIONS					
P	LTR	DESCRIPTION	DATE	DWN	APVD
-		SEE SHEET 1	-	-	-



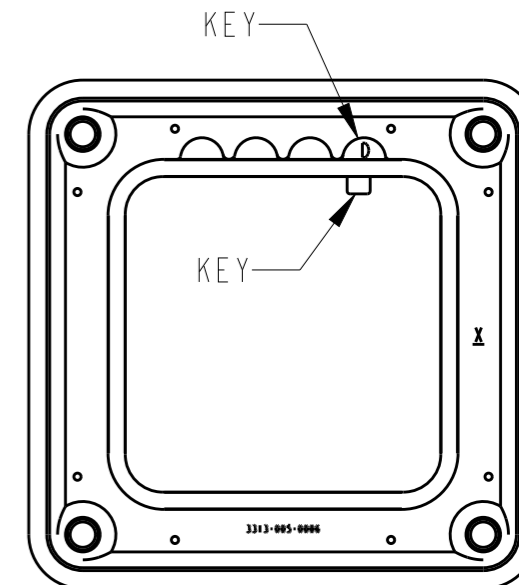
DRBF-2A KEY ARRANGEMENT -A-



DRBF-2B KEY ARRANGEMENT -B-



DRBF-2C KEY ARRANGEMENT -C-



DRBF-2D KEY ARRANGEMENT -D-

THIS DRAWING IS A CONTROLLED DOCUMENT.		DWN S. PALLUTH 03FEB2001			
DIMENSIONS: in [mm]		CHK S. PALLUTH 03FEB2001			
TOLERANCES UNLESS OTHERWISE SPECIFIED:		APVD D. MEYER 03FEB2001		NAME INTERFACE FLANGE KEY ARRANGEMENTS A, B, C AND D DRB SERIES. COLOR: BLACK	
0 PLC ± 1 PLC ± 2 PLC ± 3 PLC ±.025 [0.64] 4 PLC ± ANGLES ±0°30'0"		PRODUCT SPEC -		SIZE A3	
MATERIAL 4		APPLICATION SPEC -		CAGE CODE 4AFU8	
FINISH		WEIGHT 136 g		DRAWING NO C-DRBF-2X	
		CUSTOMER DRAWING		RESTRICTED TO -	
		SCALE 3:4		SHEET 2 OF 2	
				REV A1	

X-ON Electronics

Largest Supplier of Electrical and Electronic Components

Click to view similar products for [Automotive Connectors](#) category:

Click to view products by [TE Connectivity](#) manufacturer:

Other Similar products are found below :

[003-018-000](#) [60403001](#) [60993906-B](#) [M902-2131](#) [M902-2161](#) [72.330.1035.1](#) [73.353.4028.0](#) [F119300-B](#) [F166900](#) [F258300-B](#) [F358300-B](#)
[F407400](#) [F444110](#) [F487000](#) [F509500B-B](#) [827153-1](#) [8N1515-32-24P](#) [9-1326729-8](#) [925474-1](#) [928905-1](#) [964562-4](#) [968782-1](#) [GT17SA-8DS-](#)
[HU](#) [98891-1012](#) [98947-1016](#) [12004147](#) [12004475-L](#) [12010290](#) [12010309-B](#) [12015454](#) [12020219-B](#) [12020308](#) [12041318-B](#) [12052225-L](#)
[12052466](#) [12059125](#) [12064869](#) [12004327-B](#) [12010503-B](#) [12015308](#) [12015384](#) [12015909](#) [1-21030-1](#) [12041254](#) [12041318](#) [12047946-B](#)
[12047957](#) [12047957-L](#) [12059473](#) [12066261](#)