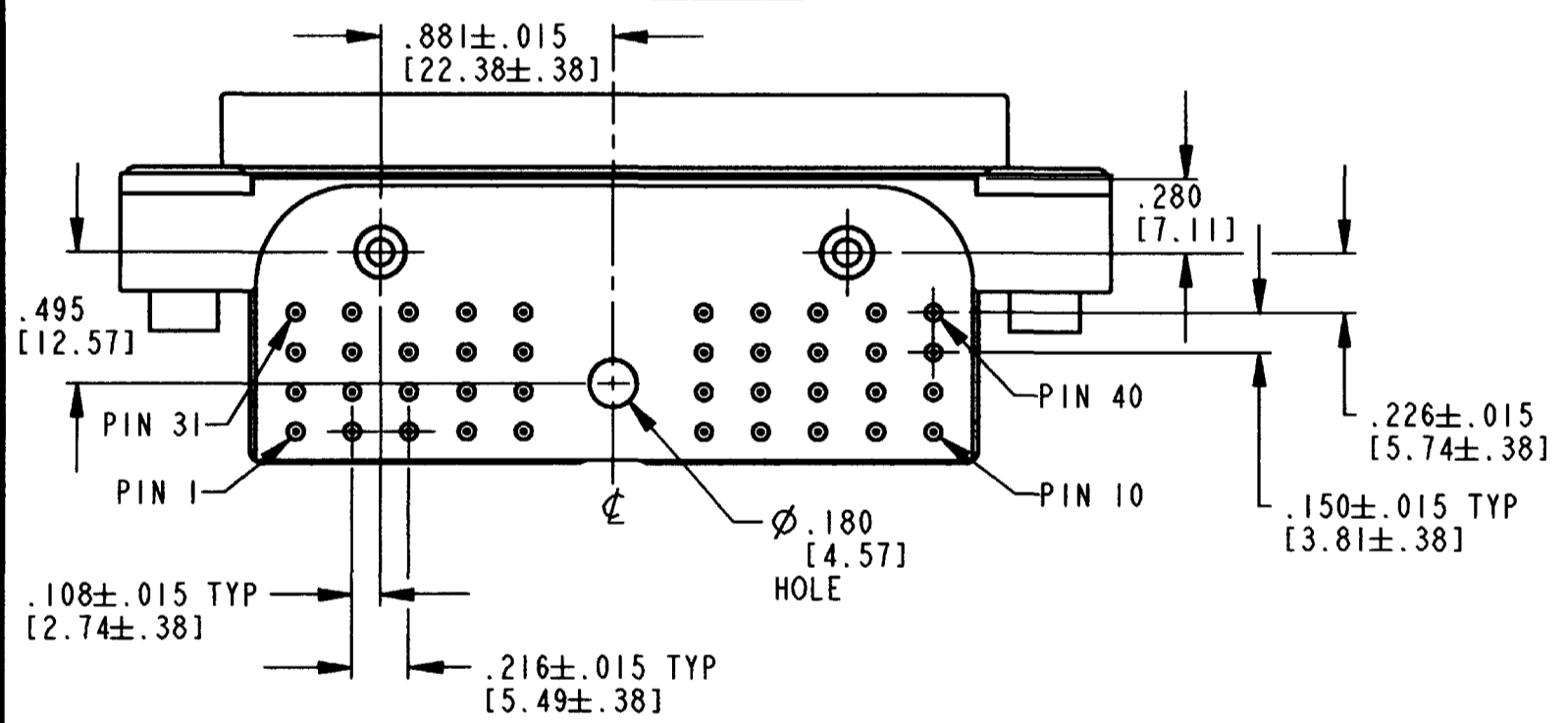
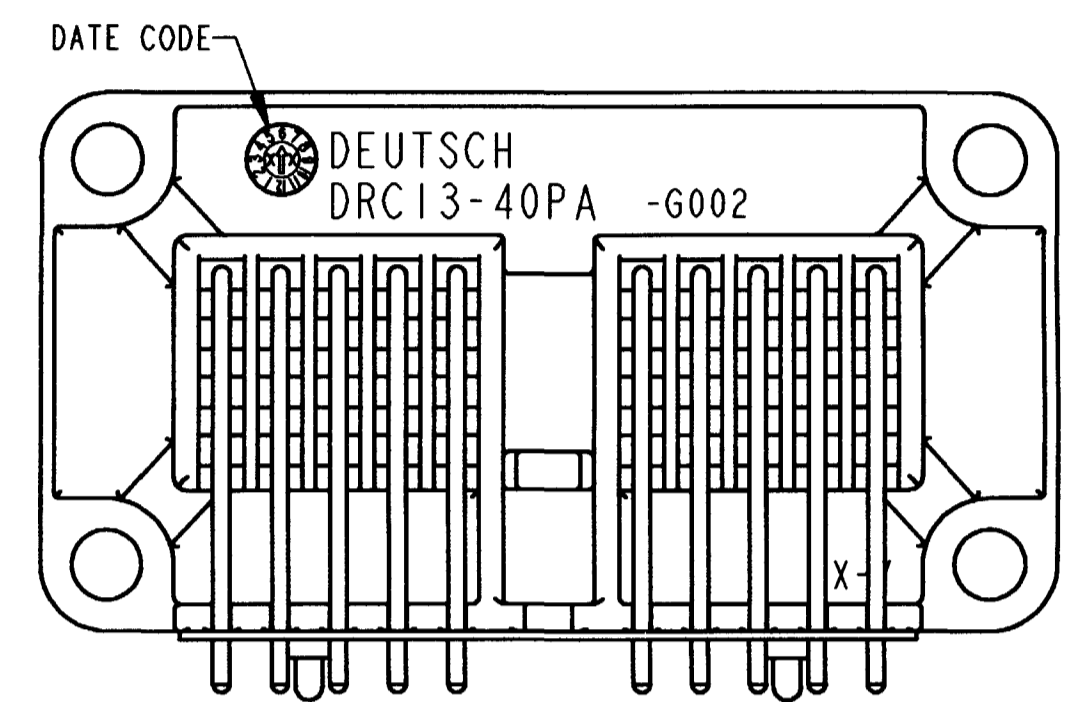
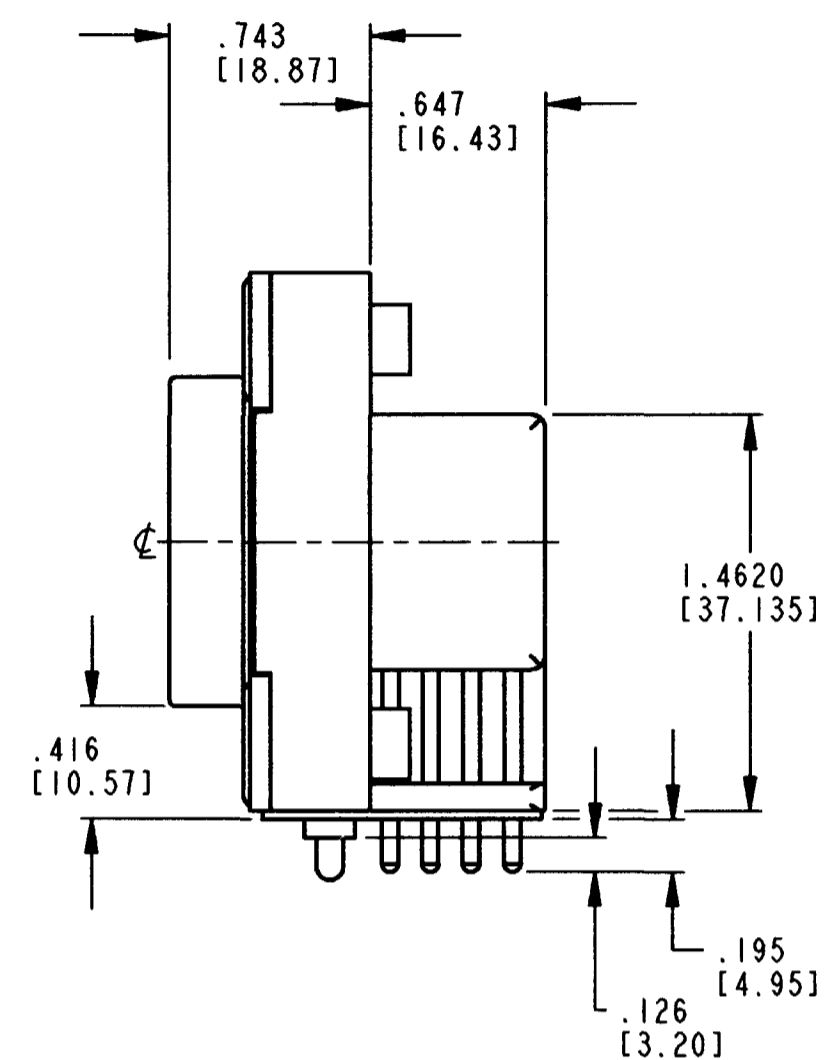
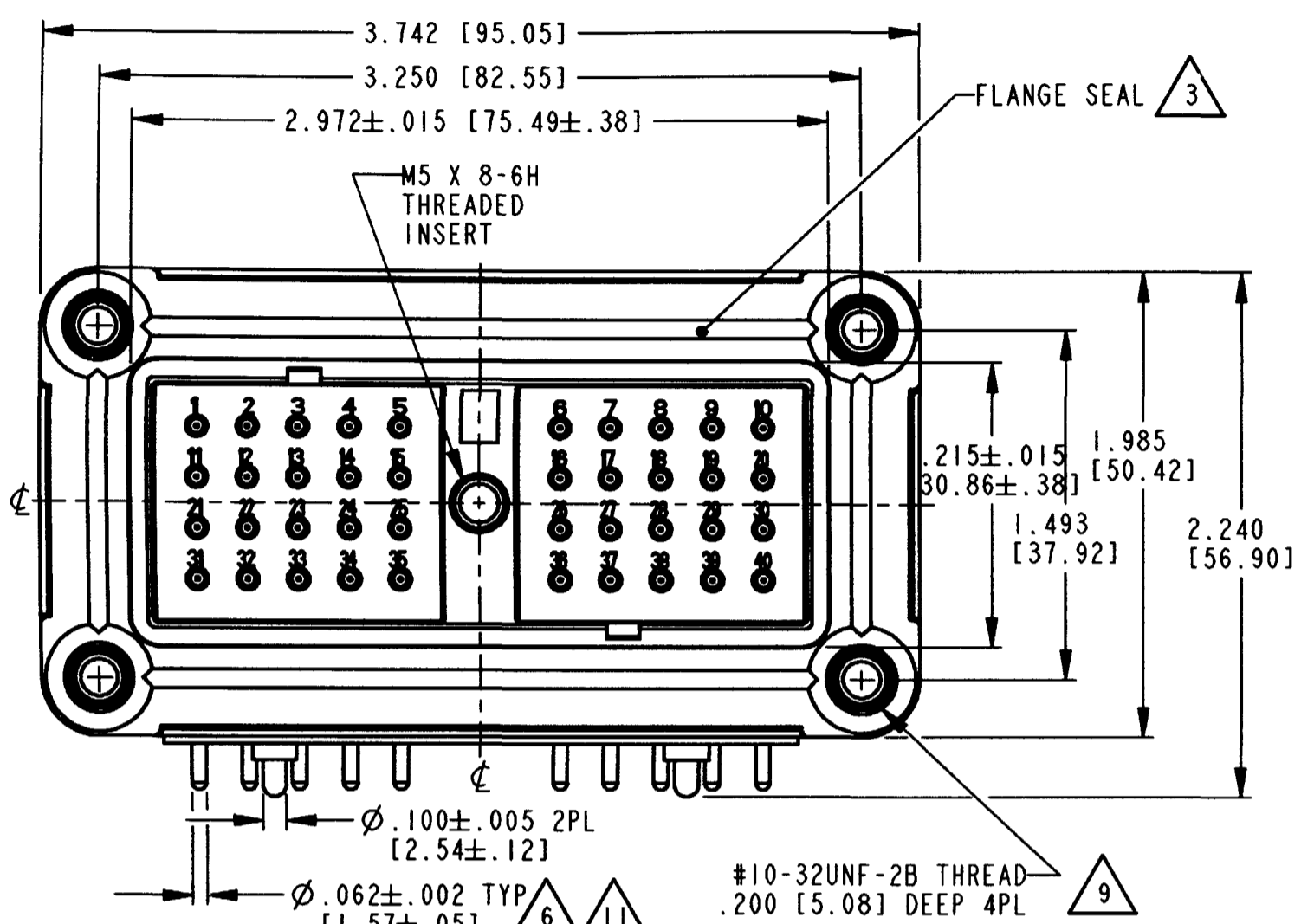
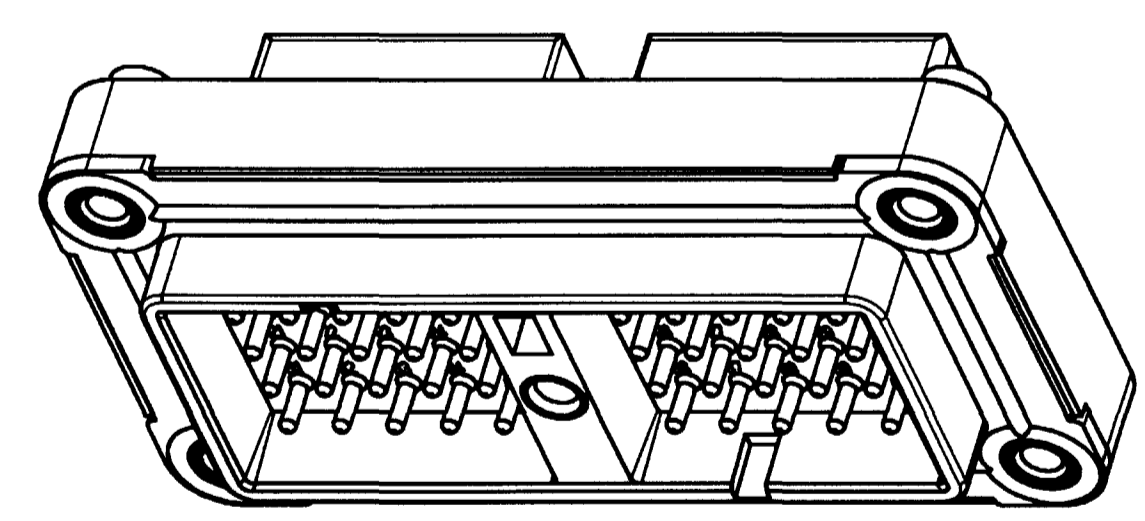


REV A		REVISIONS		
SYM	DESCRIPTION	DATE	APPROVED	
NC	NEW RELEASE PER E.O. P17162	4-4-01	R.D.R.	
A	REVISED PER E.O. P18693	9-20-04	RDR	



- 11 PART MODIFICATION.
- 10 SURFACE FINISH: 32 RMS OR BETTER; \square .005 [0.12].
- 9 RECOMMENDED SCREW: #10-32UNF-2A THREAD MACHINE SCREW TORQUE: 20-25 IN-LB [2.26-2.83 NM].
- 8. SEE SHEET 2 FOR OTHER KEY ARRANGEMENTS.
- 7. THIS RECEPTACLE MATES WITH DRC16-40S(E)-**** & DRC18-40S*-**** PLUG (*=A,B,C,D KEYS; ****=ALL MODIFICATIONS).
- 6 CONTACT PLATING - MATING SIDE: TIN; PCB SIDE: 1, 10, 11, 20, 21, 30, 31 & 40 GOLD, REST: TIN.
- 5. MATERIAL - PLASTIC (BLACK); INSERTS: STEEL/BRASS; SEAL: RUBBER.
- 4. RECEPTACLE IS SUPPLIED WITH DUST CAP (NOT SHOWN).
- 3 FLANGE SEAL (0513-014-4006) IS SHIPPED WITH RECEPTACLE.
- 2. DIMENSION TOLERANCE: \pm .025 [0.64]; PANEL CUTOUT: \pm .010 [0.25].
- 1. DIMENSIONS ARE IN INCHES [mm].

NOTES: UNLESS OTHERWISE SPECIFIED



3D VIEW

SIGNATURE & DATE		RECEPTACLE 40 #16 SIZE CONTACTS KEY ARRANGEMENTS A, B, C & D -G002 MOD DRC SERIES ENVELOPE	CP	MATL. CODE
DR	J. APOSTOL 26FEB2001		The Deutch Company DEUTSCH I.P.D. 3850 INDUSTRIAL AVE. HEMET, CALIF. 92545	
CHK	<i>[Signature]</i> 9/20/04		C DRC13-40P*-G002	
PE	<i>[Signature]</i> 5/20/04		DWG. SIZE	CODE 11139
APPD	D. Meyer 9/20/04		SHEET 1 OF 2	
SCALE	NONE			

7

6

5

4

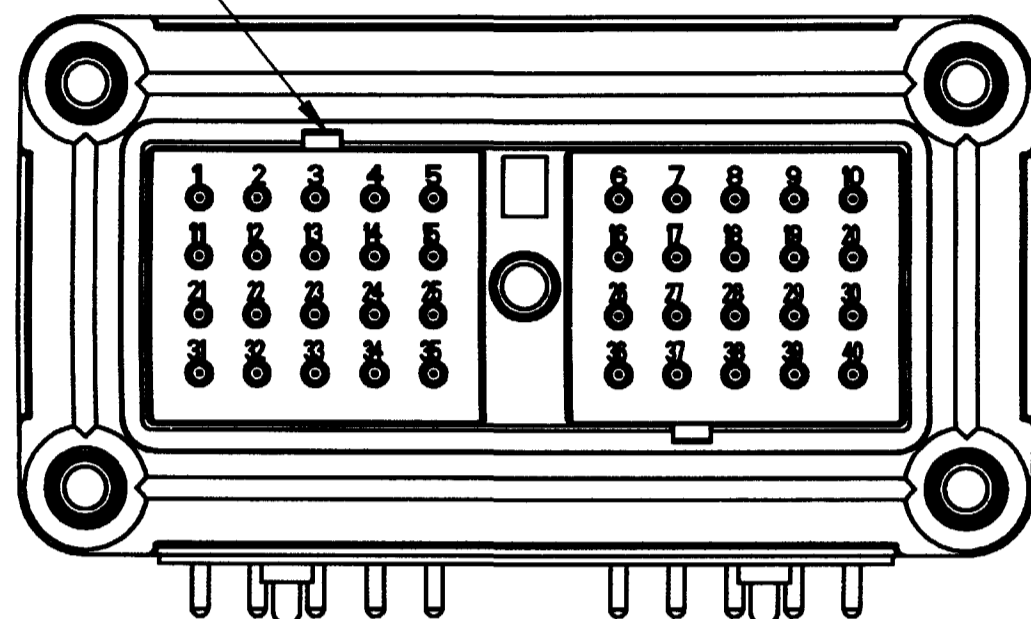
3

2

1

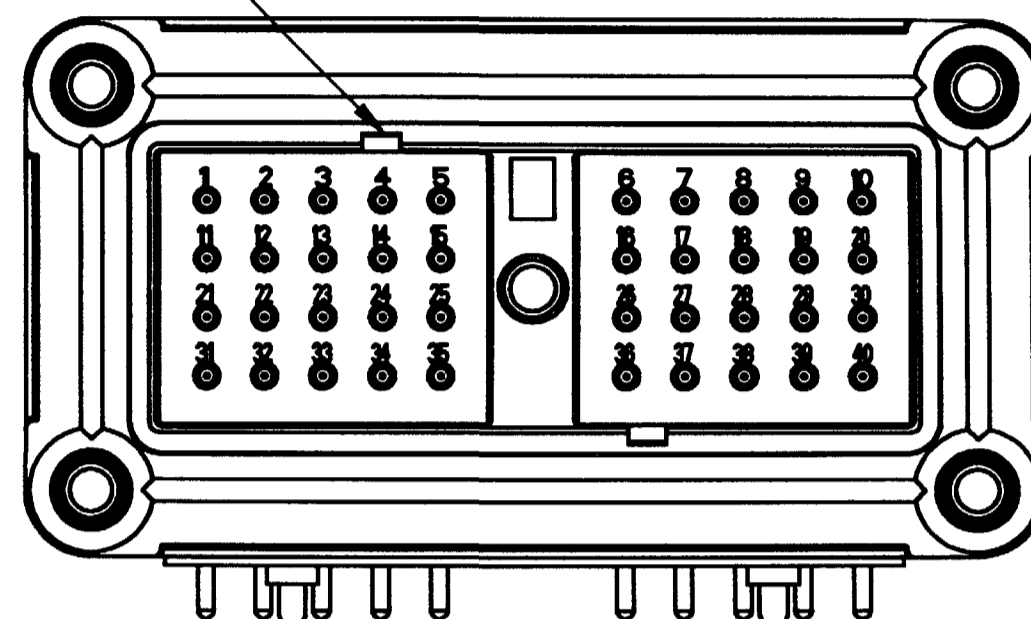
REV		REVISIONS		
SYM	DESCRIPTION	DATE	APPROVED	
A	DRC13-40P*-G002			
A	SEE SHEET 1	9-26-04	RDR	

KEYWAY 2PL



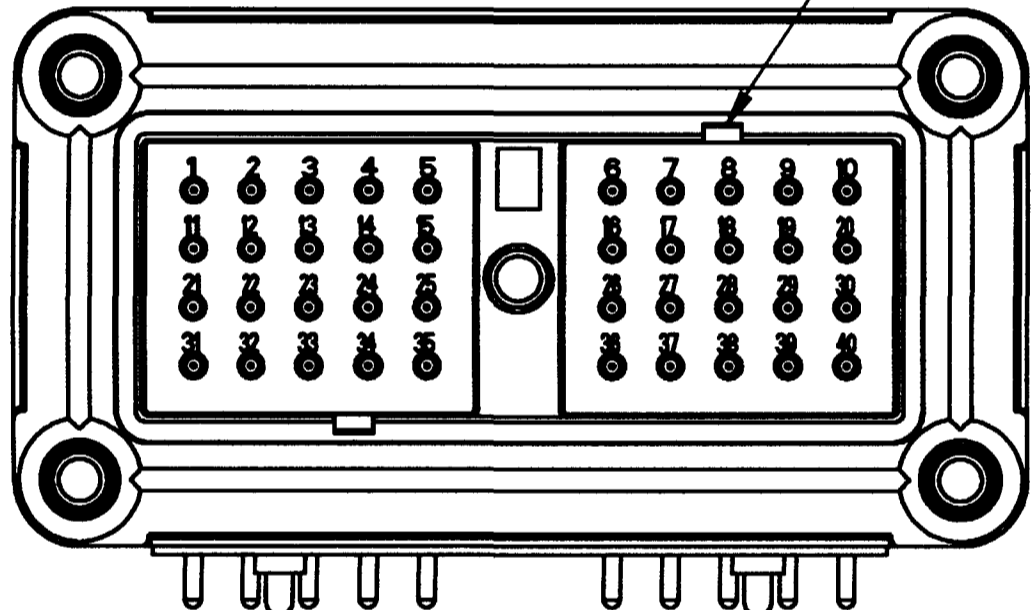
ARRANGEMENT -A-
DRC13-40PA-G002

KEYWAY 2PL



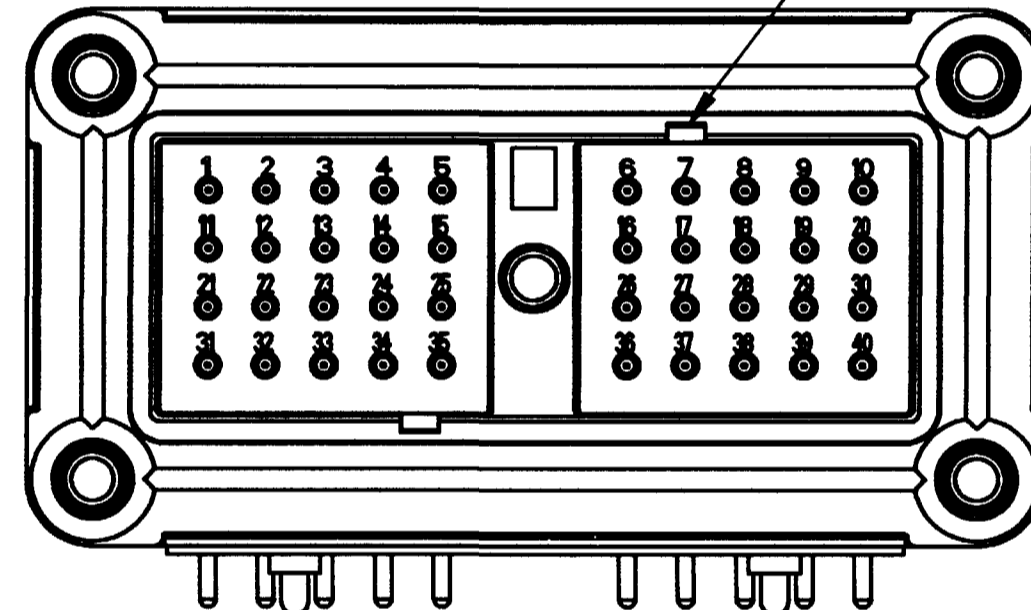
ARRANGEMENT -C-
DRC13-40PC-G002

KEYWAY 2PL

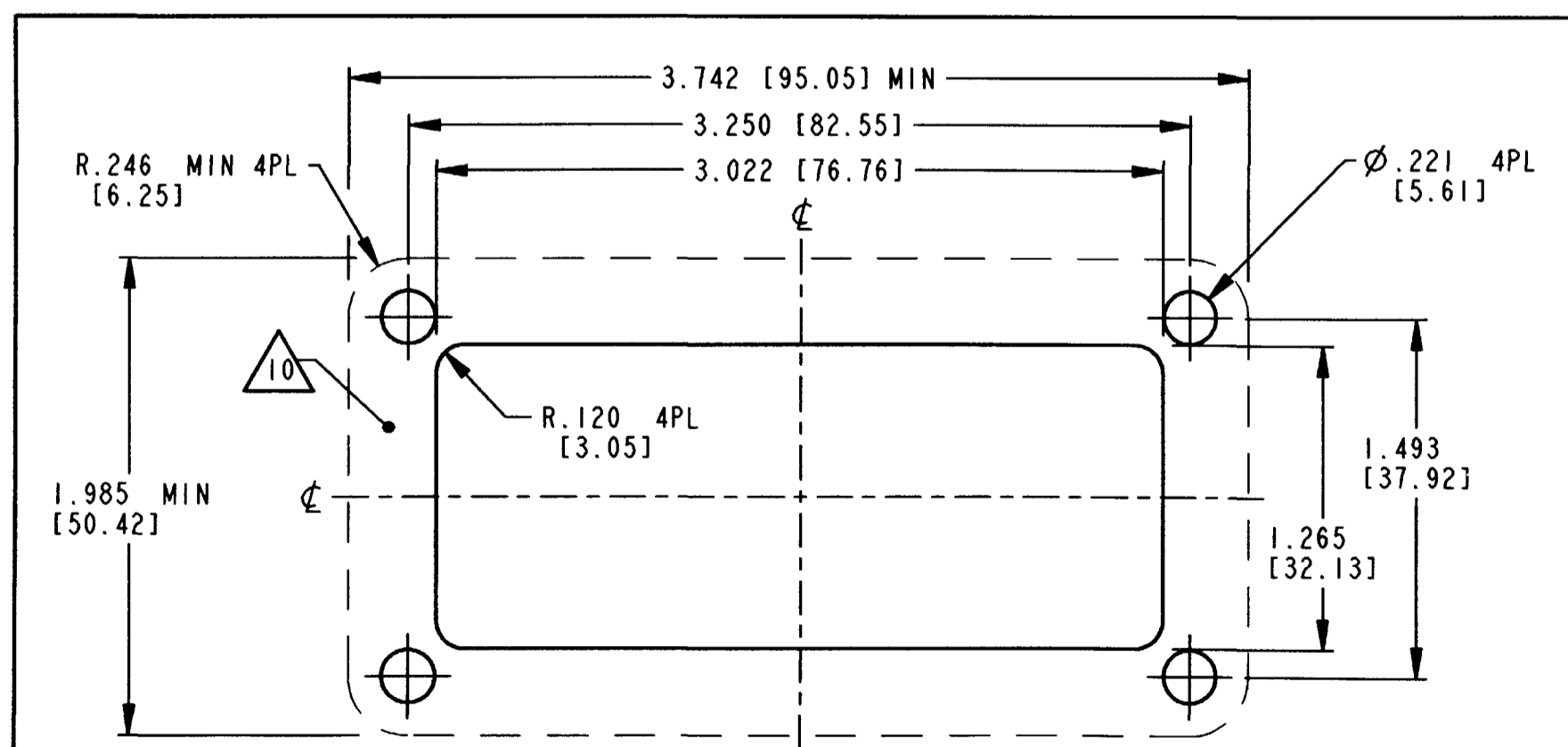


ARRANGEMENT -B-
DRC13-40PB-G002

KEYWAY 2PL



ARRANGEMENT -D-
DRC13-40PD-G002



RECOMMENDED PANEL CUTOUT

NOTES:

SIGNATURE & DATE	
DR	J. APOSTOL 26FEB2001
CHK	B. [Signature] 9/26/04
PE	[Signature] 9/26/04
APPD	[Signature] 9/26/04
SCALE	NONE

RECEPTACLE
40 #16 SIZE CONTACTS
KEY ARRANGEMENTS
A, B, C & D
-G002 MOD
DRC SERIES
ENVELOPE

CP	MATL. CODE
The Deutch Company DEUTSCH I.P.D. 3850 INDUSTRIAL AVE. HEMET, CALIF. 92545	
C	DRC13-40P*-G002
DWG. SIZE	11139
SHEET 2 OF 2	

7

6

5

4

3

2

1

X-ON Electronics

Largest Supplier of Electrical and Electronic Components

Click to view similar products for [Automotive Connectors](#) category:

Click to view products by [TE Connectivity](#) manufacturer:

Other Similar products are found below :

[003-018-000](#) [60403001](#) [60993906-B](#) [M902-2131](#) [M902-2161](#) [M902-2344](#) [72.330.1035.1](#) [73.353.4028.0](#) [F119300-B](#) [F166900](#) [F258300-B](#)
[F358300-B](#) [F407400](#) [F444110](#) [F487000](#) [F509500B-B](#) [827153-1](#) [8N1515-32-24P](#) [9-1326729-8](#) [925474-1](#) [928905-1](#) [964562-4](#) [968782-1](#)
[GT17SA-8DS-HU](#) [98891-1012](#) [98947-1016](#) [12004147](#) [12004475-L](#) [12010290](#) [12010309-B](#) [12015454](#) [12020219-B](#) [12041318-B](#) [12052225-](#)
[L](#) [12052466](#) [12064869](#) [12004327-B](#) [12015308](#) [12015384](#) [12015909](#) [1-21030-1](#) [12041254](#) [12041318](#) [12047946-B](#) [12047957](#) [12047957-L](#)
[12059473](#) [12066261](#) [12110546](#) [12110546-B](#)