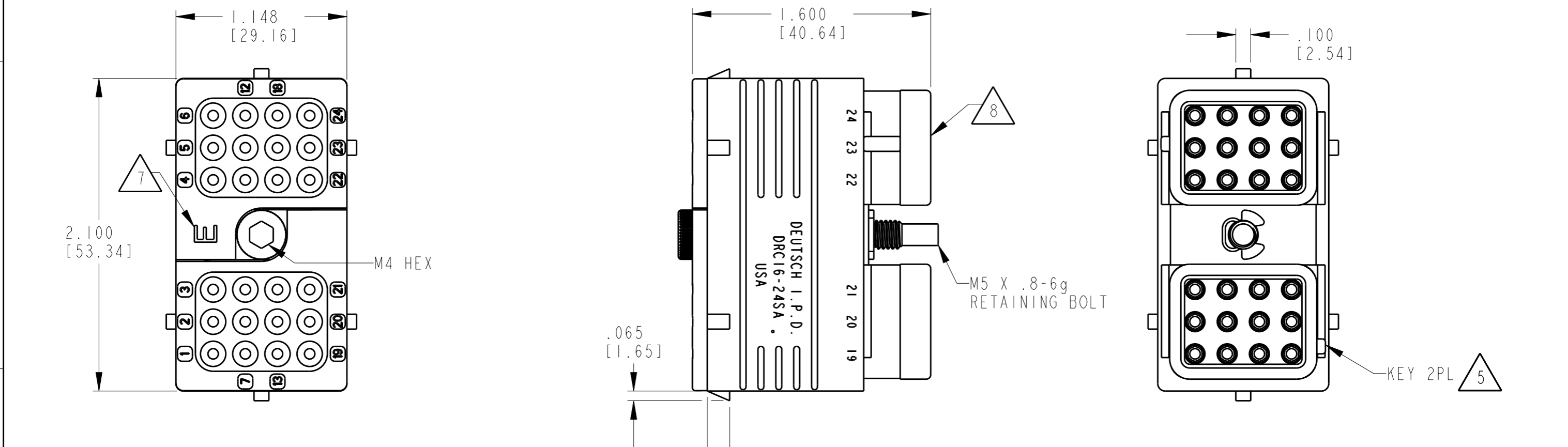


THIS DRAWING IS UNPUBLISHED  
 RELEASED FOR PUBLICATION 2018  
 © COPYRIGHT 2018 BY -TE CONNECTIVITY ALL RIGHTS RESERVED.

REVISIONS					
P	LTR	DESCRIPTION	DATE	DWN	APVD
	A	REVISED PER PCN E-18-009438	14JUN2018	SS	DM

MIN. INSUL. O.D.	MAX. INSUL. O.D.	WIRE RANGE [mm <sup>2</sup> ] REF ONLY
.053 [1.35]	.120 [3.05]	14-20 AWG [2.0-0.50]



- 8 PART MODIFICATION: INTERFACE SEALS ARE BONDED TO PLUG
- 7 E-SEAL IS IDENTIFIED BY LETTER "E" MARK.
- 6. MATING TORQUE REQUIREMENT: 25-28 IN-LB [2.82-3.13 Nm].
- 5. SEE SHEET 2 FOR OTHER KEY ARRANGEMENTS.
- 4 MATERIAL- PLUG: PPS GF40 (BLACK)  
 SEAL/GROMMET: VMQ (RED-ORANGE)  
 CLIP: STEEL, UNPLATED  
 BOLT: STAINLESS STEEL WITH SILVER PLATING AND MAY TARNISH

TE INTERNAL PN	DEUTSCH PN
DRC16-24SAE-P013	DRC16-24SAE-P013
DRC16-24SBE-P013	DRC16-24SBE-P013
DRC16-24SCE-P013	DRC16-24SCE-P013
DRC16-24SDE-P013	DRC16-24SDE-P013

3. THIS PLUG MATES WITH DRC10-24PX-XXXX; DRC12-24PX-XXXX; DRC13-24PX-XXXX; AND DRC14-24PX-XXXX RECEPTACLE. (X=A,B,C,D KEYS; XXXX=ALL MODIFICATIONS). CONSULT FACTORY FOR MODS.

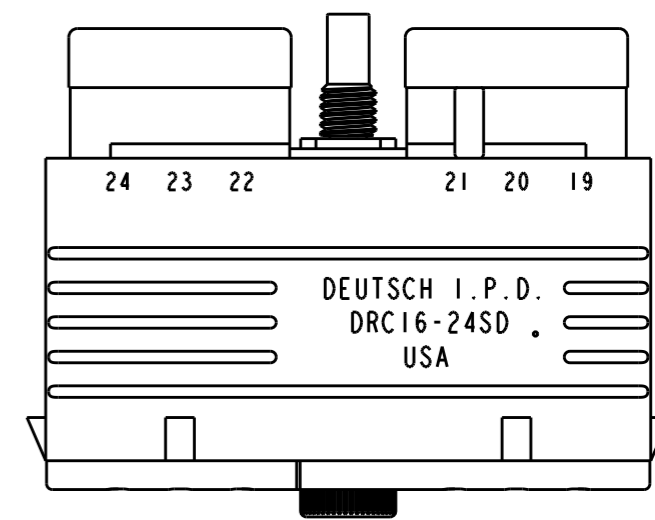
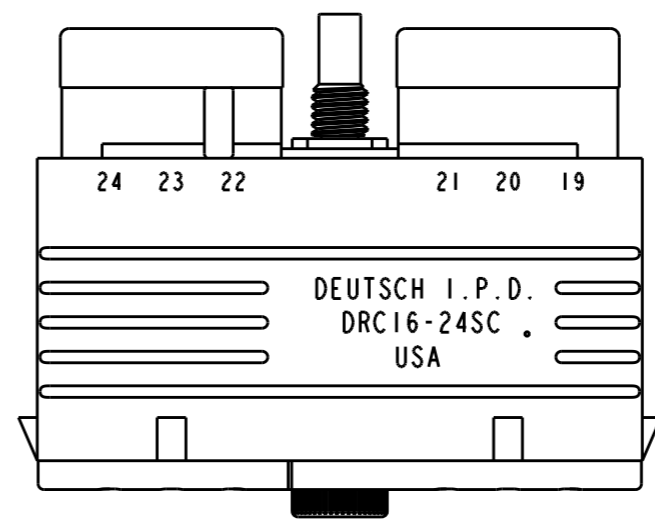
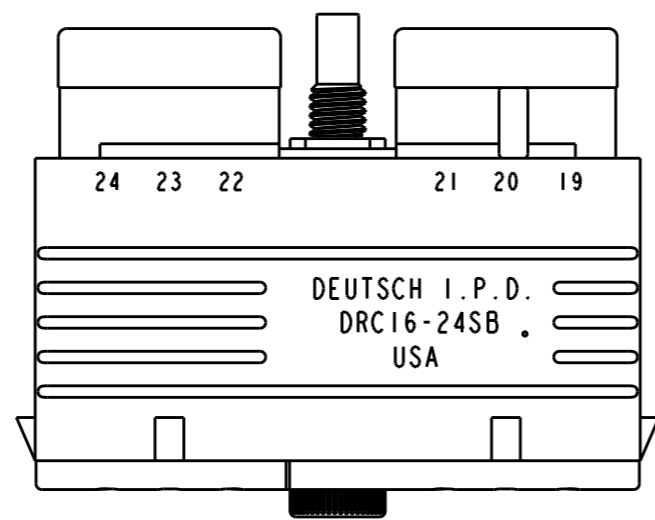
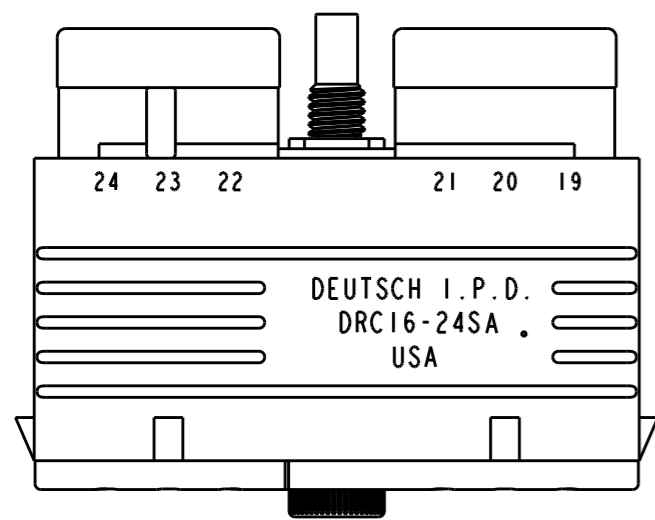
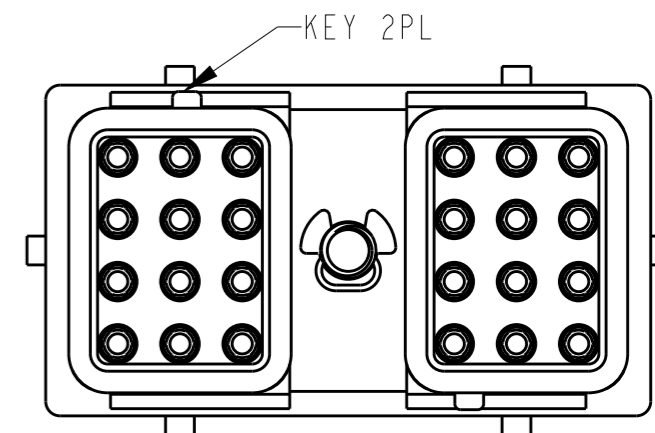
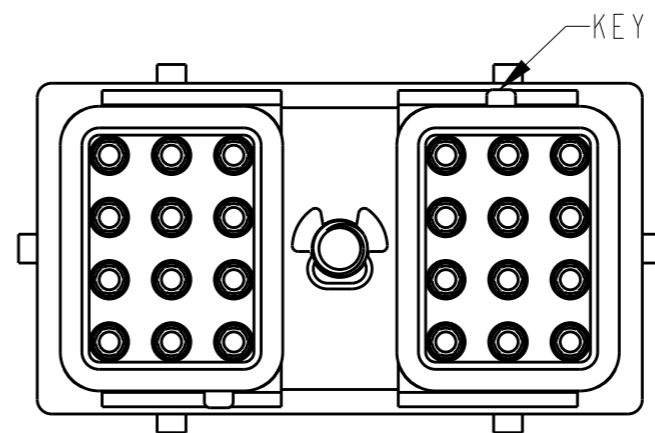
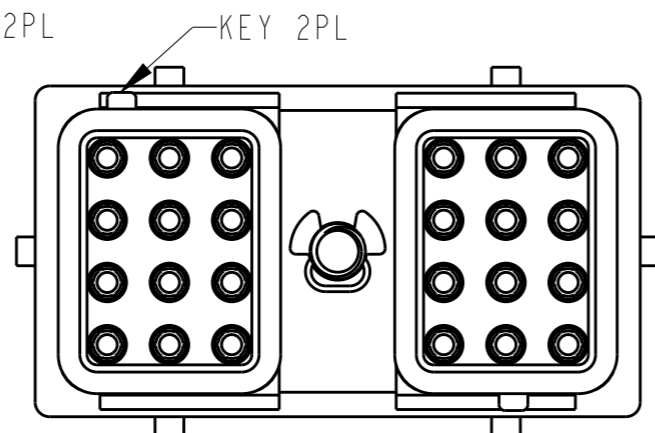
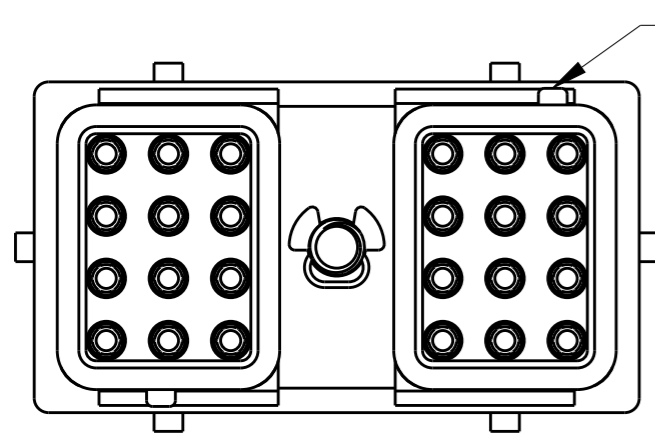
2 FOR CONTACTS AND WIRE PERFORMANCE AND APPLICATION CHARACTERISTICS, SEE ENVELOPE DRAWING 0425-015-0000.

THIS DRAWING IS A CONTROLLED DOCUMENT.		DWN D.MEYER 08APR2002		
DIMENSIONS: INCHES [mm]		CHK D.MEYER 08APR2002		
TOLERANCES UNLESS OTHERWISE SPECIFIED:		APVD R.FEED 10APR2002		
0 PLC ± 1 PLC ± 2 PLC ± 3 PLC ±.025 [0.64] 4 PLC ± ANGLES ±0°30'0"		PRODUCT SPEC -		
MATERIAL		FINISH	APPLICATION SPEC -	NAME PLUG 24 SIZE 16 KEYS: A,B,C,D E SEAL COLOR: BLACK DRC SERIES
4			WEIGHT -	SIZE A3
			CUSTOMER DRAWING	CAGE CODE 4AFU8
				DRAWING NO. DRC16-24SXE-P013
				RESTRICTED TO -
				SCALE 1.5:1
				SHEET 1 OF 2
				REV A

1. PLUG SUPPLIED WITH DUST CAP. PN 0515-005-2405 (NOT SHOWN).

NOTES: UNLESS OTHERWISE SPECIFIED

REVISIONS					
P	LTR	DESCRIPTION	DATE	DWN	APVD
-	-	SEE SHEET 1	-	-	-



**DRC16-24SAE-P013**  
KEY: -A-

**DRC16-24SBE-P013**  
KEY: -B-

**DRC16-24SCE-P013**  
KEY: -C-

**DRC16-24SDE-P013**  
KEY: -D-

THIS DRAWING IS A CONTROLLED DOCUMENT.		DWN D. MEYER 08APR2002		NAME PLUG 24 SIZE 16 KEYS: A,B,C,D E SEAL COLOR: BLACK DRC SERIES
DIMENSIONS: INCHES [mm]		CHK D. MEYER 08APR2002		
		APVD R. REED 10APR2002		
TOLERANCES UNLESS OTHERWISE SPECIFIED:		PRODUCT SPEC		
0 PLC ± 1 PLC ± 2 PLC ± 3 PLC ±.025 [0.64] 4 PLC ± ANGLES ±0°30'0"		APPLICATION SPEC	SIZE A3	CAGE CODE 4AFU8
MATERIAL 		FINISH	DRAWING NO DRC16-24SXE-P013	RESTRICTED TO -
CUSTOMER DRAWING			SCALE 1.5:1	SHEET 2 OF 2
			REV A	

## X-ON Electronics

Largest Supplier of Electrical and Electronic Components

*Click to view similar products for [Automotive Connectors](#) category:*

*Click to view products by [TE Connectivity](#) manufacturer:*

Other Similar products are found below :

[003-018-000](#) [60403001](#) [60993906-B](#) [M902-2131](#) [M902-2161](#) [M902-2344](#) [72.330.1035.1](#) [73.353.4028.0](#) [F119300-B](#) [F166900](#) [F258300-B](#)  
[F358300-B](#) [F407400](#) [F444110](#) [F487000](#) [F509500B-B](#) [827153-1](#) [8N1515-32-24P](#) [9-1326729-8](#) [925474-1](#) [928905-1](#) [964562-4](#) [968782-1](#)  
[GT17SA-8DS-HU](#) [98891-1012](#) [98947-1016](#) [12004147](#) [12004475-L](#) [12010290](#) [12015454](#) [12020219-B](#) [12041318-B](#) [12052225-L](#) [12052466](#)  
[12064869](#) [12004327-B](#) [12015308](#) [12015384](#) [12015909](#) [1-21030-1](#) [12041254](#) [12041318](#) [12047946-B](#) [12047957](#) [12047957-L](#) [12059473](#)  
[12066261](#) [12110546](#) [12110546-B](#) [12131792](#)