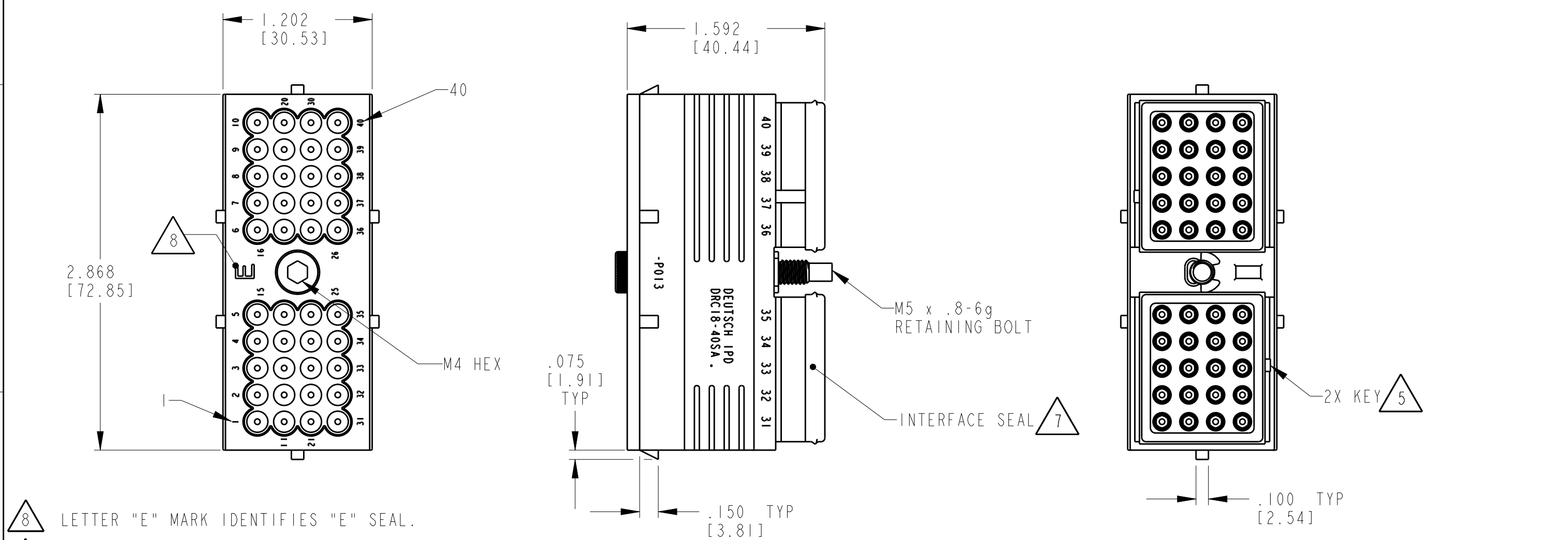


THIS DRAWING IS UNPUBLISHED  
 RELEASED FOR PUBLICATION 2017  
 © COPYRIGHT 2017 BY -TE CONNECTIVITY ALL RIGHTS RESERVED.

REVISIONS					
P	LTR	DESCRIPTION	DATE	DWN	APVD
	A	REVISED PER PCN E-17-013177	16JUN2017	SS	DM

MIN. INSUL. O.D.	MAX. INSUL. O.D.	WIRE RANGE [mm <sup>2</sup> ] REF ONLY
.053 [1.35]	.120 [3.05]	14-20 AWG [2.0-0.50]



8 LETTER "E" MARK IDENTIFIES "E" SEAL.  
 7 PART MODIFICATION: INTERFACE SEALS ARE BONDED TO PLUG HOUSING.

6. MATING TORQUE REQUIREMENT: 25-28 IN-LB [2.82-3.13 Nm].

5. SEE SHEET 2 FOR OTHER KEY ARRANGEMENTS.

4. MATERIAL- PLUG: PLASTIC (BLACK); SEAL/GROMMET: RUBBER; RETAINING BOLT: STEEL.

3. THIS PLUG MATES WITH DRC12-40PX-XXXX; DRC13-40PX-XXXX AND DRC14-40PX-XXXX RECEPTACLE. (X=A,B,C,D KEYS; XXXX=ALL MODIFICATIONS). CONSULT FACTORY FOR MODS.

2. FOR CONTACTS AND WIRE PERFORMANCE AND APPLICATION CHARACTERISTICS, SEE ENVELOPE DRAWING 0425-015-0000.

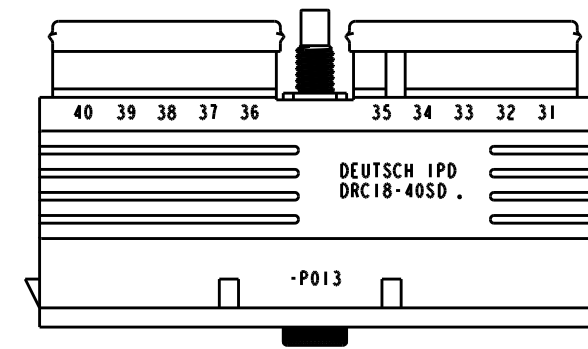
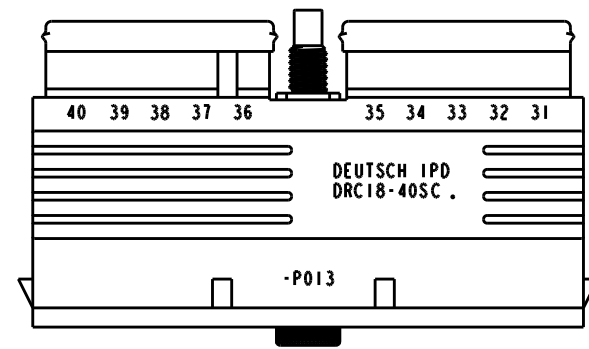
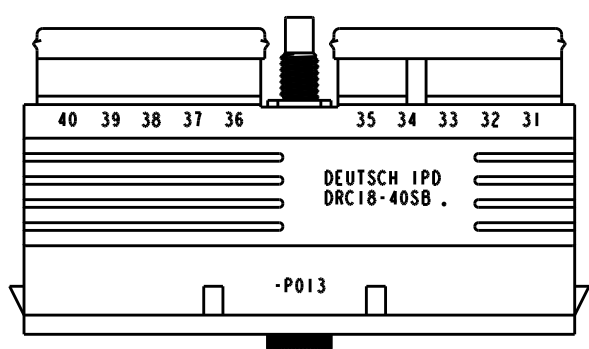
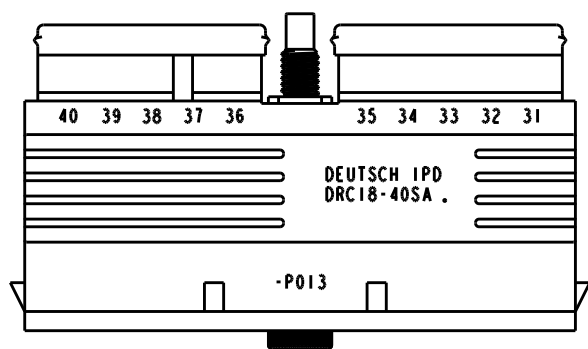
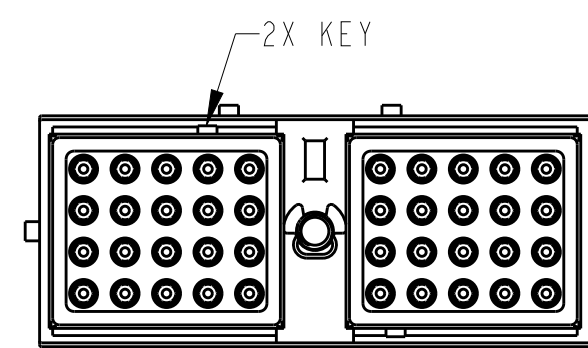
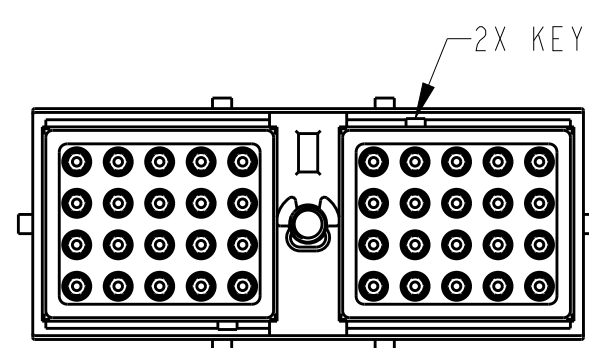
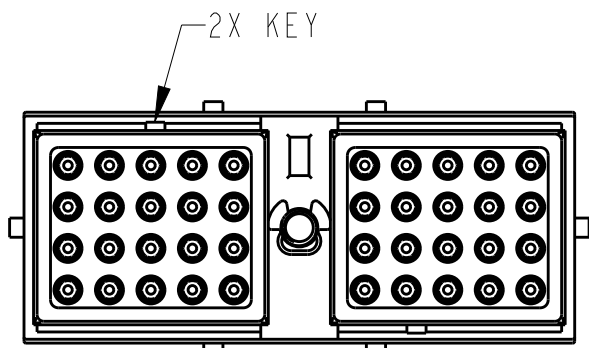
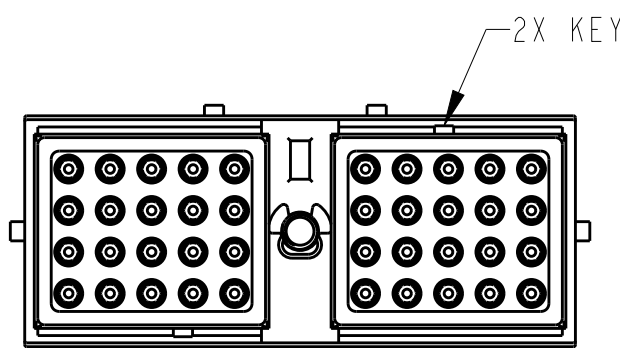
1. PLUG SUPPLIED WITH DUST CAP. (NOT SHOWN).

NOTES: UNLESS OTHERWISE SPECIFIED

TE INTERNAL PN	DEUTSCH PN
DRC18-40SAE-P013	DRC18-40SAE-P013
DRC18-40SBE-P013	DRC18-40SBE-P013
DRC18-40SCE-P013	DRC18-40SCE-P013
DRC18-40SDE-P013	DRC18-40SDE-P013

THIS DRAWING IS A CONTROLLED DOCUMENT.		DWN J. APOSTOL 16JUN2017			
DIMENSIONS: INCHES [mm]		CHK R. MESSENGER 08FEB2007			
TOLERANCES UNLESS OTHERWISE SPECIFIED:		APVD R. REED 13FEB2007			
0 PLC ± 1 PLC ± 2 PLC ± 3 PLC ±.025 [.64] 4 PLC ± ANGLES ±0°30'0"		PRODUCT SPEC -			
MATERIAL 4		FINISH -		NAME PLUG 40 SIZE 16 KEYS: A,B,C,D E SEAL COLOR: BLACK DRC SERIES	
		APPLICATION SPEC -		SIZE A3	
		WEIGHT -		CAGE CODE 4AFU8	
		CUSTOMER DRAWING		DRAWING NO. DRC18-40SXE-P013	
				RESTRICTED TO -	
				SCALE 1.25:1	
				SHEET 1 OF 2	
				REV A	

REVISIONS					
P	LTR	DESCRIPTION	DATE	DWN	APVD
	-	SEE SHEET 1	-	-	-



**DRC18-40SAE-P013**  
KEY: -A-

**DRC18-40SBE-P013**  
KEY: -B-

**DRC18-40SCE-P013**  
KEY: -C-

**DRC18-40SDE-P013**  
KEY: -D-

THIS DRAWING IS A CONTROLLED DOCUMENT.		DWN J. APOSTOL 16 JUN 2017		
		CHK R. MESSENGER 08 FEB 2007		
DIMENSIONS: INCHES [mm]		TOLERANCES UNLESS OTHERWISE SPECIFIED: 0 PLC ± 1 PLC ± 2 PLC ± 3 PLC ±.025 [.64] 4 PLC ± ANGLES ±0°30'0"	NAME PLUG 40 SIZE 16 KEYS: A,B,C,D E SEAL COLOR: BLACK DRC SERIES	
		MATERIAL 	FINISH -	PRODUCT SPEC - APPLICATION SPEC - WEIGHT -
		SIZE A3 CAGE CODE 4AFU8 DRAWING NO. DRC18-40SXE-P013 RESTRICTED TO -		
CUSTOMER DRAWING		SCALE 1:1	SHEET 2 OF 2	REV A

## X-ON Electronics

Largest Supplier of Electrical and Electronic Components

*Click to view similar products for [Automotive Connectors](#) category:*

*Click to view products by [TE Connectivity](#) manufacturer:*

Other Similar products are found below :

[003-018-000](#) [60403001](#) [60993906-B](#) [M902-2131](#) [M902-2161](#) [72.330.1035.1](#) [73.353.4028.0](#) [F119300-B](#) [F166900](#) [F258300-B](#) [F358300-B](#)  
[F407400](#) [F444110](#) [F487000](#) [F509500B-B](#) [827153-1](#) [8N1515-32-24P](#) [9-1326729-8](#) [925474-1](#) [928905-1](#) [964562-4](#) [968782-1](#) [GT17SA-8DS-](#)  
[HU](#) [98891-1012](#) [98947-1016](#) [12004147](#) [12004475-L](#) [12010290](#) [12010309-B](#) [12015454](#) [12020219-B](#) [12020308](#) [12041318-B](#) [12052225-L](#)  
[12052466](#) [12059125](#) [12064869](#) [12004327-B](#) [12010503-B](#) [12015308](#) [12015384](#) [12015909](#) [1-21030-1](#) [12041254](#) [12041318](#) [12047946-B](#)  
[12047957](#) [12047957-L](#) [12059473](#) [12066261](#)