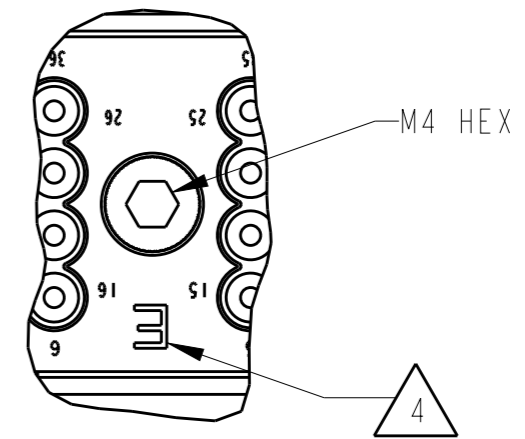
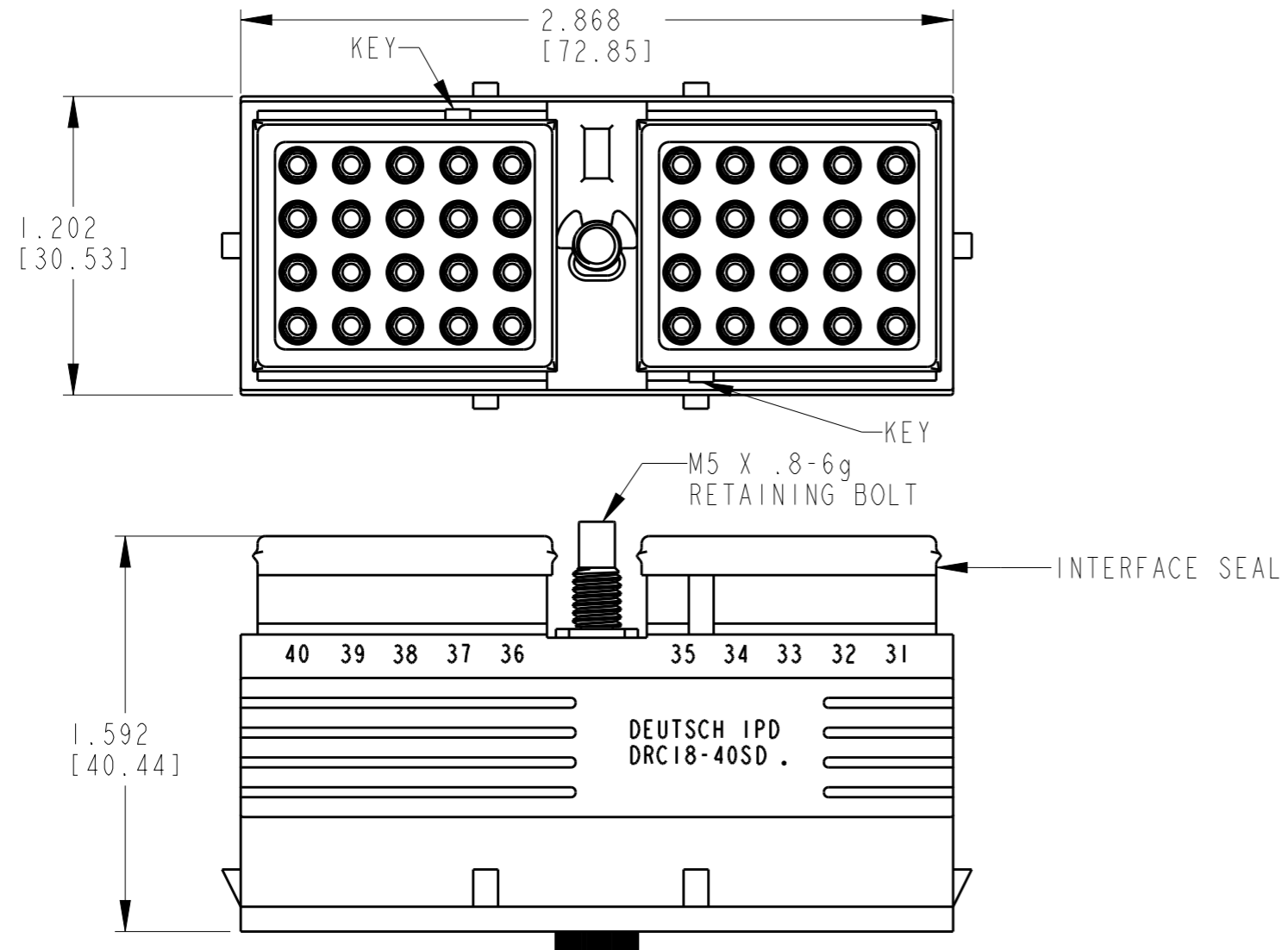


THIS DRAWING IS UNPUBLISHED  
 RELEASED FOR PUBLICATION 2017  
 © COPYRIGHT 2017 BY -TE CONNECTIVITY ALL RIGHTS RESERVED.

| REVISIONS |     |                             |           |     |      |
|-----------|-----|-----------------------------|-----------|-----|------|
| P         | LTR | DESCRIPTION                 | DATE      | DWN | APVD |
|           | C   | REVISED PER PCN E-17-013177 | 13JUN2017 | SS  | DM   |
|           |     |                             |           |     |      |
|           |     |                             |           |     |      |

| SEAL TYPE | CONTACT SIZE | MIN. INSUL. OD [mm] | MAX. INSUL. OD [mm] | WIRE RANGE [mm <sup>2</sup> ] REF ONLY |
|-----------|--------------|---------------------|---------------------|--|
| 4         | NORMAL       | .100 [2.540]        | .134 [3.404]        | 14-18 AWG [2.0-.75]                    |
| E         | E            | .053 [1.346]        | .120 [3.048]        | 14-20 AWG [2.0-0.50]                   |



**TOP VIEW**

| TE INTERNAL PN | DEUTSCH PN  |
|----------------|-------------|
| DRC18-40SD     | DRC18-40SD  |
| DRC18-40SDE    | DRC18-40SDE |

6. MATERIAL: PLUG: PPS GF40(BLACK)  
 SEAL/GROMMET: VMQ(RED-ORANGE)  
 CLIP: STEEL, UNPLATED  
 BOLD: STAINLESS STEEL WITH SILVER PLATING AN MAY TARNISH.

5. MATING TORQUE REQUIREMENT: 25-28 IN-LB [2.82-3.16 Nm].

4. WHEN X = E: MARK LETTER "E" STAMPING IDENTIFIES "E" SEAL.  
 WHEN X = BLANK: IDENTIFIES "NORMAL" WIRE SEAL (NOT SHOWN).

3. THIS PLUG MATES WITH DRC12-40PDX-XXXX;DRC13-40PD-XXXX;  
 DRC14-40PDX-XXXX (XXXX=ALL MODIFICATIONS).  
 CONSULT FACTORY FOR MODS.

2. FOR CONTACTS AND WIRE PERFORMANCE AND APPLICATION  
 CHARACTERISTICS, SEE ENVELOPE DRAWING 0425-015-0000.

1. PLUG IS SUPPLIED WITH DUST CAP, 0515-001-4005 (NOT SHOWN).

NOTES:

|   |  |                          |  |                 |
|---|--|--------------------------|--|-----------------|
| THIS DRAWING IS A CONTROLLED DOCUMENT.  |  | DWN J. APOSTOL 13JUL2000 | TE Connectivity  |                 |
| DIMENSIONS: INCHES [mm]   |  | CHK D. MEYER 21JUL2000   |  |                 |
| TOLERANCES UNLESS OTHERWISE SPECIFIED:  |  | APVD R. REED 21JUL2000   | NAME PLUG KEY ARRANGEMENT -D- SERVICEABLE CONTACTS DRC 40 SERIES |                 |
| 0 PLC ±<br>1 PLC ±<br>2 PLC ±<br>3 PLC ±.025 [.635]<br>4 PLC ±<br>ANGLES ±0°30'0" |  | PRODUCT SPEC -           | SIZE A3  | CAGE CODE 4AFU8 |
| MATERIAL 6  |  | APPLICATION SPEC -       | DRAWING NO. DRC18-40SDX  | RESTRICTED TO - |
| FINISH -  |  | WEIGHT -                 | SCALE 1.5:1  | SHEET 1 OF 1    |
|   |  | CUSTOMER DRAWING         | REV C  |                 |

## X-ON Electronics

Largest Supplier of Electrical and Electronic Components

*Click to view similar products for [Automotive Connectors](#) category:*

*Click to view products by [TE Connectivity](#) manufacturer:*

Other Similar products are found below :

[003-018-000](#) [60403001](#) [60993906-B](#) [M902-2131](#) [M902-2161](#) [72.330.1035.1](#) [73.353.4028.0](#) [F119300-B](#) [F166900](#) [F258300-B](#) [F358300-B](#)  
[F407400](#) [F444110](#) [F487000](#) [F509500B-B](#) [827153-1](#) [8N1515-32-24P](#) [9-1326729-8](#) [925474-1](#) [928905-1](#) [964562-4](#) [968782-1](#) [GT17SA-8DS-](#)  
[HU](#) [98891-1012](#) [98947-1016](#) [12004147](#) [12004475-L](#) [12010290](#) [12010309-B](#) [12015454](#) [12020219-B](#) [12020308](#) [12041318-B](#) [12052225-L](#)  
[12052466](#) [12059125](#) [12064869](#) [12004327-B](#) [12010503-B](#) [12015308](#) [12015384](#) [12015909](#) [1-21030-1](#) [12041254](#) [12041318](#) [12047946-B](#)  
[12047957](#) [12047957-L](#) [12059473](#) [12066261](#)