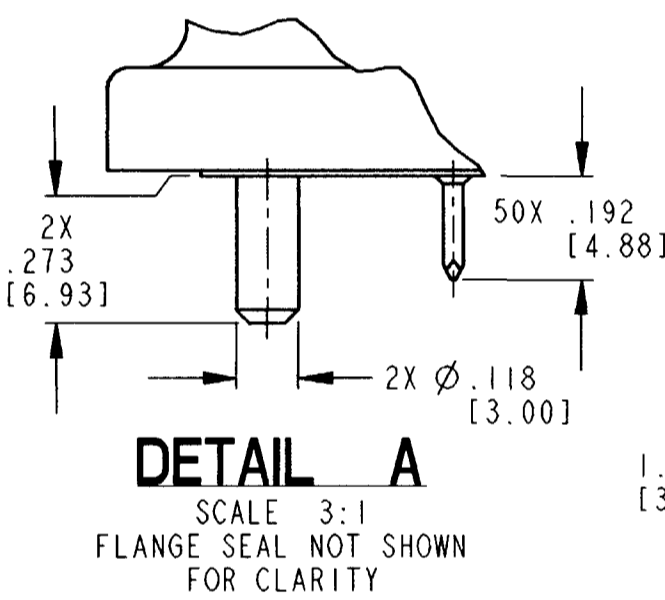


REV
NC
DRC20-60P**

REVISIONS			
SYM	DESCRIPTION	DATE	APPROVED
NC	NEW RELEASE PER E.O. P20138	2-24-09	RDR



3. MATERIAL - PLASTIC (BLACK), INSERT - STEEL, SEALS - RUBBER.
2. DIMENSION TOLERANCE: ±.025 [1.64]; PANEL CUTOUT: ±.010 [1.25]
1. DIMENSIONS ARE IN INCHES [mm].
NOTES: UNLESS OTHERWISE SPECIFIED.

- 7. SEE SHEET 2 FOR KEY ARRANGEMENTS AND RECOMMENDED PANEL CUTOUT.
- 6. RECOMMENDED SCREW: 6-19 [M3.63x1.34] THREAD FORMING SCREW. TORQUE: 18-20 IN-LB [2.03-2.26 Nm]
- 5. THIS RECEPTACLE MATES WITH DRC26-60S***-**** PLUG. (** = 01 THROUGH 10 KEYS, **** = ALL MODIFICATIONS.)
- 4. CONTACT PLATING: MATING SIDE - GOLD, PCB SIDE - TIN.

SIGNATURE & DATE	
DR	J. APOSTOL 11FEB2009
CHK	<i>[Signature]</i> 2/24/09
PE	<i>[Signature]</i> 7/1/05
APPD	R. Rosal 2-24-09
SCALE	NONE
WT	

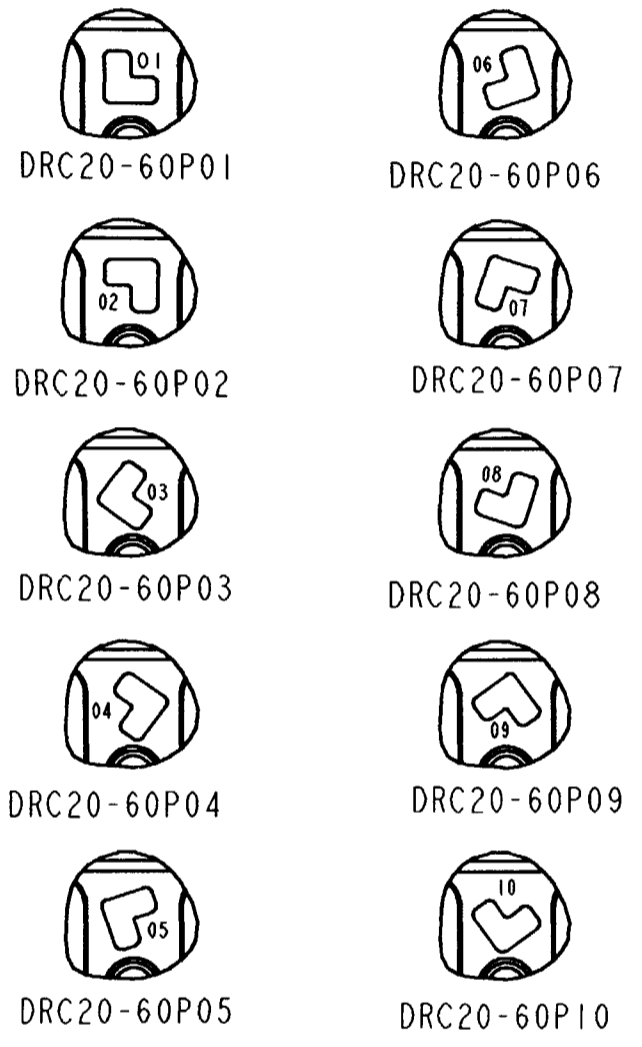
RECEPTACLE, PCB MOUNT
60 PIN #20
KEYING 01-10
DRC SERIES

ENVELOPE

EP <i>[Signature]</i>	MATL. CODE
3850 INDUSTRIAL AVE. HEMET, CA 92545	
B	DRC20-60P**
DWG SIZE	CODE 11139 SHEET 1 OF 2

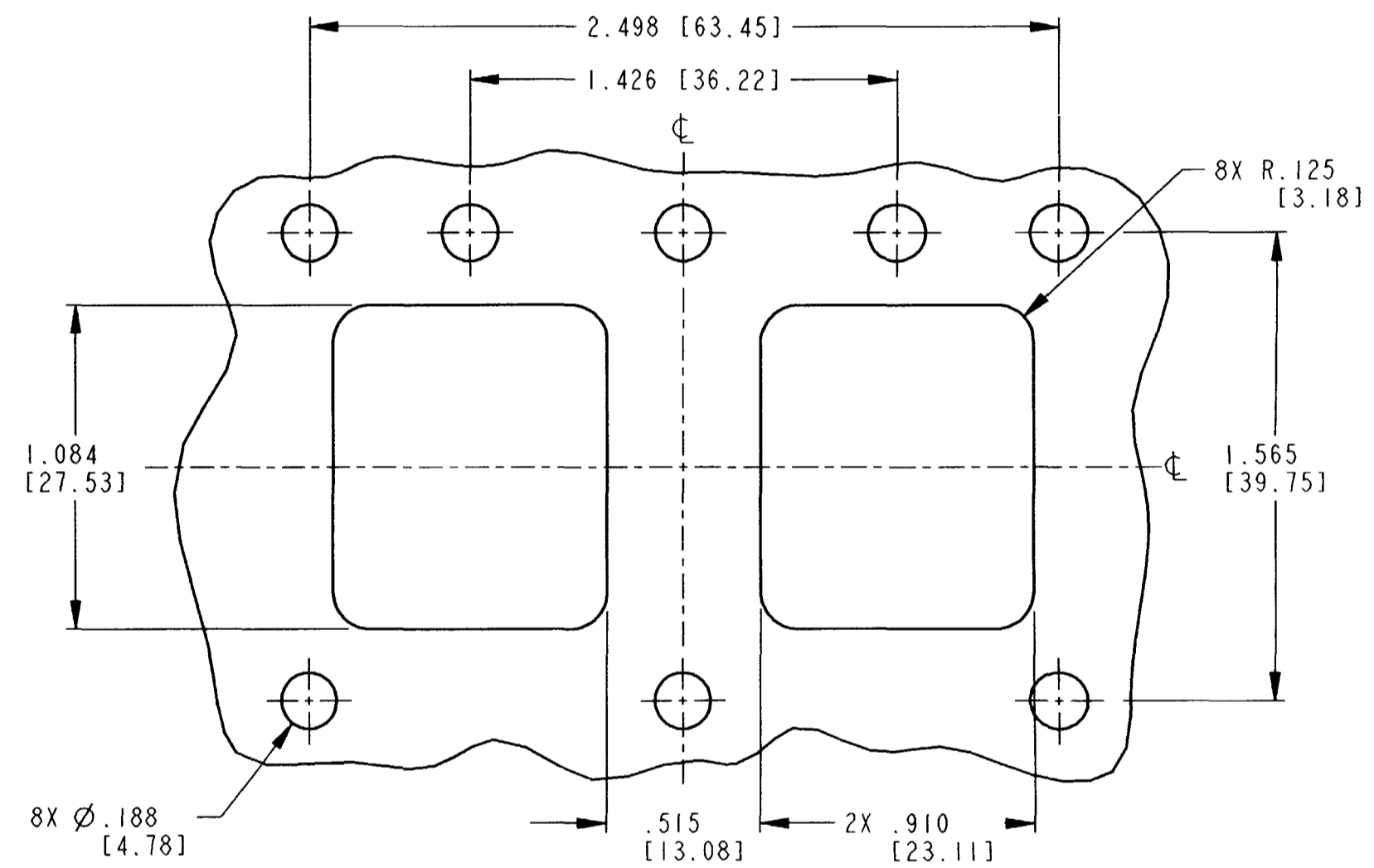
REV
NC **DRC20-60P****

REVISIONS			
SYM	DESCRIPTION	DATE	APPROVED
NC	SEE SHEET 1	2-24-09	RDR



DRC20-60P01 DRC20-60P06
 DRC20-60P02 DRC20-60P07
 DRC20-60P03 DRC20-60P08
 DRC20-60P04 DRC20-60P09
 DRC20-60P05 DRC20-60P10

** = KEYING ARRANGEMENTS



RECOMMENDED PANEL CUTOUT
 THICKNESS: .080 [2.0]

NOTES:

SIGNATURE & DATE		RECEPTACLE, PCB MOUNT 60 PIN #20 KEYING 01-10 DRC SERIES ENVELOPE	EP 015	MATL. CODE
DR	J. APOSTOL 11FEB2009		3850 INDUSTRIAL AVE. HEMET, CA 92545	
CHK	B. Byrd 2/24/09		DEUTSCH INDUSTRIAL	
PE	D. Kelly 1/11/09		B DRC20-60P**	
APPD	R. Rosel 2-24-09	DWG SIZE	CODE 11139	SHEET 2 OF 2
SCALE	NONE	WT		

X-ON Electronics

Largest Supplier of Electrical and Electronic Components

Click to view similar products for [Automotive Connectors](#) category:

Click to view products by [TE Connectivity](#) manufacturer:

Other Similar products are found below :

[003-018-000](#) [60403001](#) [60993906-B](#) [M902-2131](#) [M902-2161](#) [72.330.1035.1](#) [73.353.4028.0](#) [F119300-B](#) [F166900](#) [F258300-B](#) [F358300-B](#)
[F407400](#) [F444110](#) [F487000](#) [F509500B-B](#) [827153-1](#) [8N1515-32-24P](#) [9-1326729-8](#) [925474-1](#) [928905-1](#) [964562-4](#) [968782-1](#) [GT17SA-8DS-](#)
[HU](#) [98891-1012](#) [98947-1016](#) [12004147](#) [12004475-L](#) [12010290](#) [12010309-B](#) [12015454](#) [12020219-B](#) [12020308](#) [12041318-B](#) [12052225-L](#)
[12052466](#) [12059125](#) [12064869](#) [12004327-B](#) [12010503-B](#) [12015308](#) [12015384](#) [12015909](#) [1-21030-1](#) [12041254](#) [12041318](#) [12047946-B](#)
[12047957](#) [12047957-L](#) [12059473](#) [12066261](#)