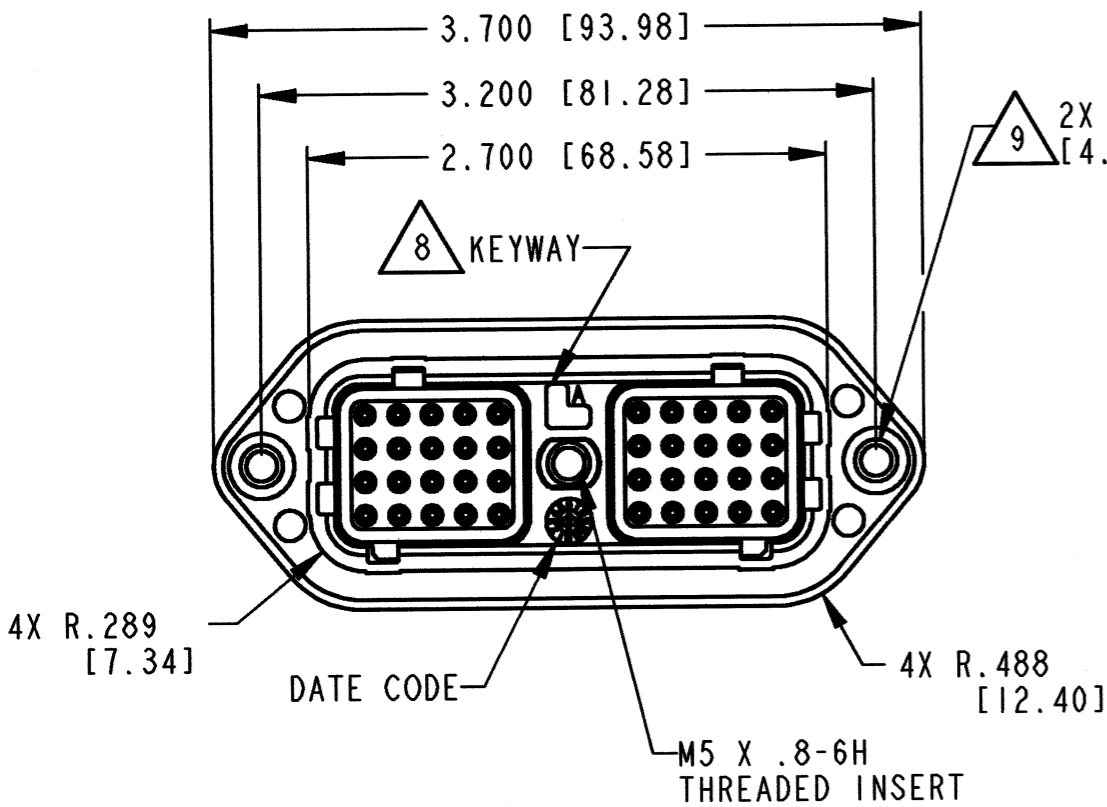
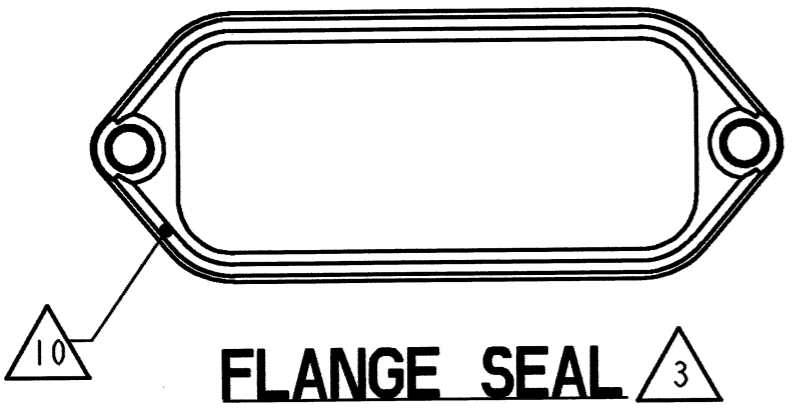
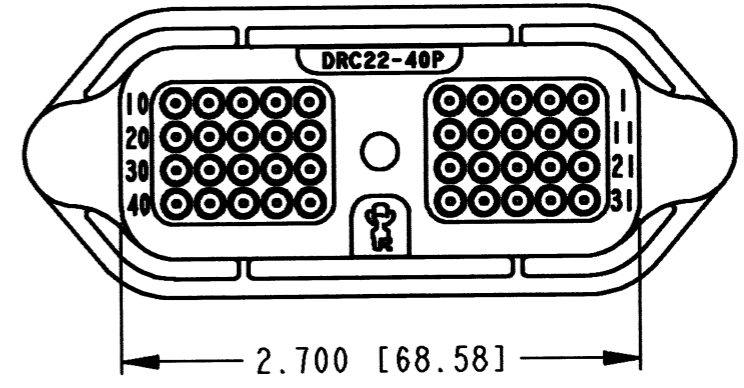
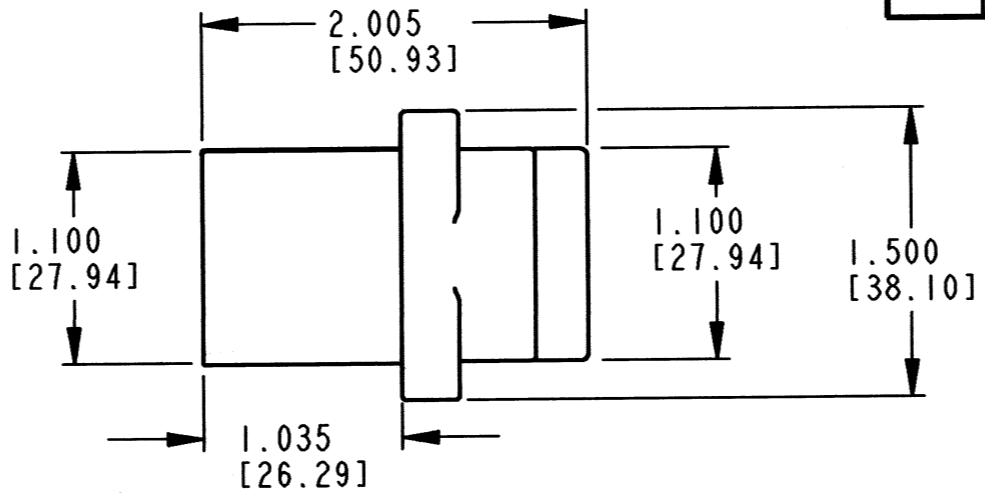


REV  
A **DRC22-40P\***

REVISIONS			
SYM	DESCRIPTION	DATE	APPROVED
NC	NEW RELEASE PER E.O. P19974	1-28-09	R.D.R.
A	REVISED PER E.O. P20723	12-2-10	RDR



9 2X  $\phi .160 \pm .005$  X  $\nabla .550$   
[4.06 ± .12] X [13.97]



CONTACT SIZE	MIN. INSUL. O.D.	MAX. INSUL. O.D.	WIRE RANGE [mm <sup>2</sup> ] REF ONLY
20	.040 [1.016]	.095 [2.413]	16-20 AWG [1.0-0.5]

- 11 SURFACE FINISH: 32 RMS OR BETTER;  $\square .005$  [ .12 ] .
- 10 FULLY SEAT THE FLANGE SEAL IN THE RECESS WITH THE RAISED SEAL FACING OUTWARD.
- 9 RECOMMENDED SCREW: 8-16 [M5 X 2.24] THREAD-FORMING SCREW. TORQUE: 15-20 IN-LB [1.69-2.26 NM].
- 8 SEE SHEET 2 FOR OTHER KEY ARRANGEMENTS.
- 7. THIS RECEPTACLE MATES WITH DRC26-40S\*-\*\*\*\* PLUG (\*=A,B,C,D KEYS; \*\*\*\*=ALL MODIFICATIONS).

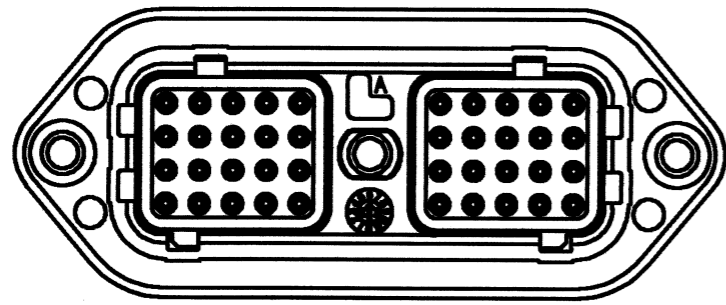
- 6 FOR CONTACT AND WIRE PERFORMANCE AND APPLICATION CHARACTERISTICS SEE ENVELOPE DRAWING 0425-015-0000.
  - 5. MATERIAL - PLASTIC (BLACK); INSERT: STEEL; SEALS: RUBBER.
  - 4. RECEPTACLE IS SUPPLIED WITH DUST CAP (NOT SHOWN).
  - 3 FLANGE SEAL (P/N 0513-020-4006) IS SHIPPED LOOSE WITH RECEPTACLE.
  - 2. DIMENSION TOLERANCE:  $\pm .025$  [ .64 ]; PANEL CUTOUT:  $\pm .010$  [ .25 ].
  - 1. DIMENSIONS ARE IN INCHES [mm].
- NOTES: UNLESS OTHERWISE SPECIFIED

SIGNATURE & DATE	
DR	P. CARNAHAN 7/30/08
CHK	<i>[Signature]</i> 12/2/10
PE	<i>[Signature]</i> 12/2/10
APPD	<i>[Signature]</i> 12/2/10
SCALE	NONE WT

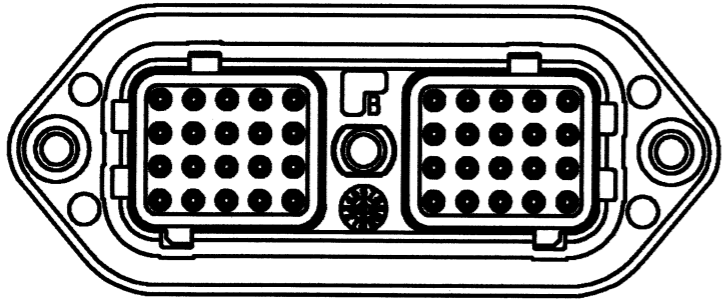
FLANGE MOUNT RECEPTACLE  
40 #20 SIZE CONTACTS  
KEY ARRANGEMENTS  
A, B, C & D  
DRC SERIES

ENVELOPE

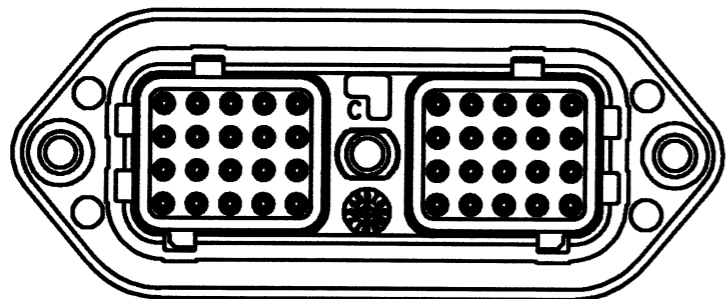
EP 191	MATL. CODE
3850 INDUSTRIAL AVE. HEMET, CA 92545	
<b>DRC22-40P*</b>	
DWG SIZE	CODE 11139 SHEET 1 OF 2



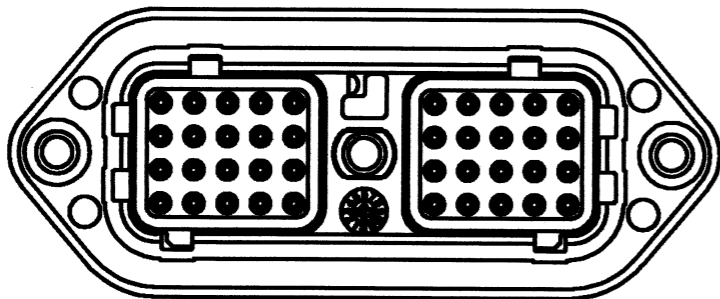
KEY ARRANGEMENT -A-  
DRC22-40PA



KEY ARRANGEMENT -B-  
DRC22-40PB



KEY ARRANGEMENT -C-  
DRC22-40PC

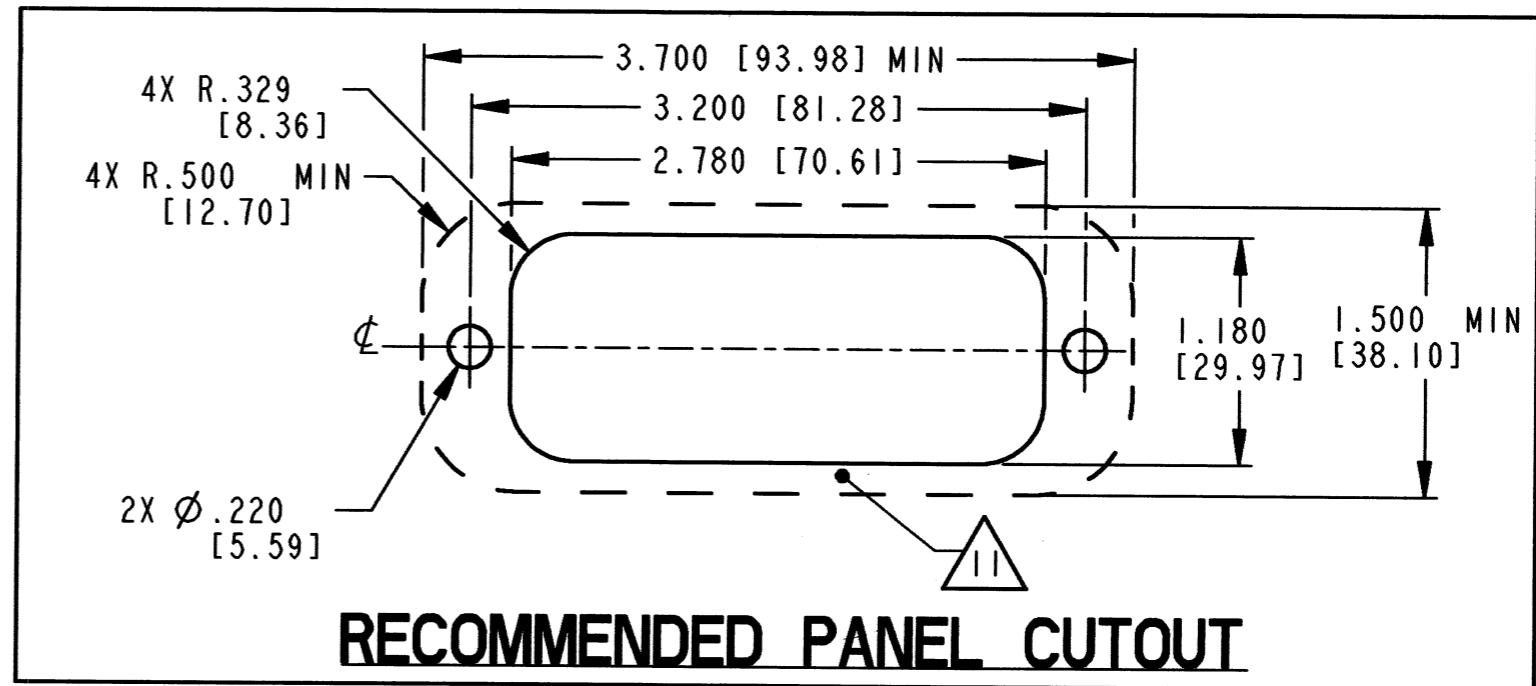
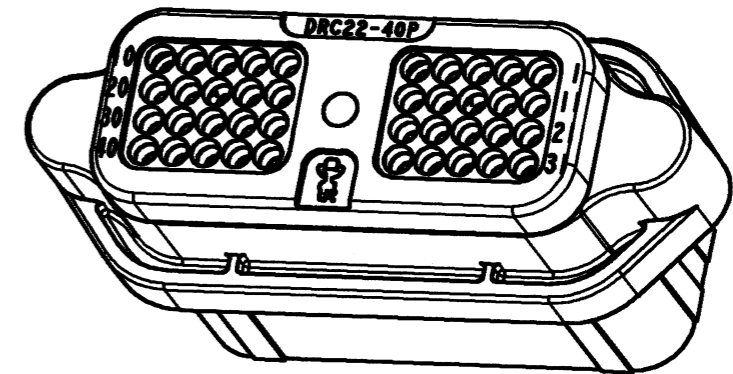
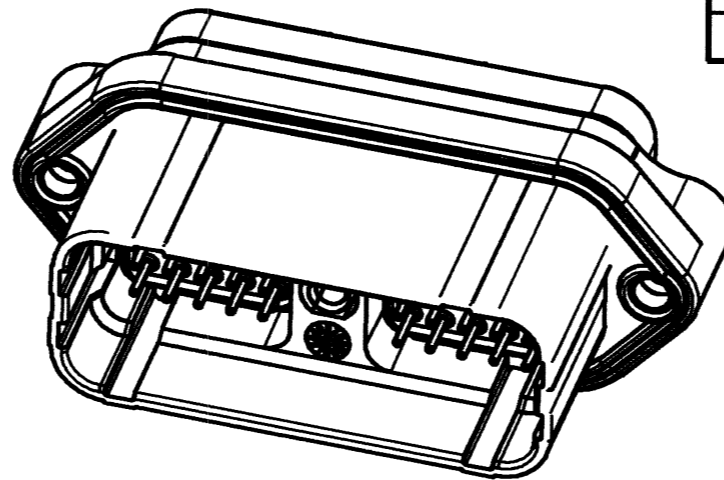


KEY ARRANGEMENT -D-  
DRC22-40PD

NOTES:

REV  
A DRC22-40P \*

REVISIONS			
SYM	DESCRIPTION	DATE	APPROVED
A	SEE SHEET 1	12-2-10	RDR



SIGNATURE & DATE	
DR	P. CARNAHAN 7/30/08
CHK	<i>[Signature]</i> 12/2/10
PE	<i>[Signature]</i> 12/2/10
APPD	<i>[Signature]</i> 12/2/10
SCALE	NONE

FLANGE MOUNT RECEPTACLE  
40 #20 SIZE CONTACTS  
KEY ARRANGEMENTS  
A, B, C & D  
DRC SERIES

ENVELOPE

EP 191	MATL. CODE
3850 INDUSTRIAL AVE. HEMET, CA 92545 <b>DEUTSCH</b> INDUSTRIAL	
<b>B</b>	<b>DRC22-40P *</b>
DWG SIZE	SHEET 2 OF 2

## X-ON Electronics

Largest Supplier of Electrical and Electronic Components

*Click to view similar products for [Automotive Connectors](#) category:*

*Click to view products by [TE Connectivity](#) manufacturer:*

Other Similar products are found below :

[003-018-000](#) [60403001](#) [60993906-B](#) [M902-2131](#) [M902-2161](#) [72.330.1035.1](#) [73.353.4028.0](#) [F119300-B](#) [F166900](#) [F258300-B](#) [F358300-B](#)  
[F407400](#) [F444110](#) [F487000](#) [F509500B-B](#) [827153-1](#) [8N1515-32-24P](#) [9-1326729-8](#) [925474-1](#) [928905-1](#) [964562-4](#) [968782-1](#) [GT17SA-8DS-](#)  
[HU](#) [98891-1012](#) [98947-1016](#) [12004147](#) [12004475-L](#) [12010290](#) [12010309-B](#) [12015454](#) [12020219-B](#) [12020308](#) [12041318-B](#) [12052225-L](#)  
[12052466](#) [12059125](#) [12064869](#) [12004327-B](#) [12010503-B](#) [12015308](#) [12015384](#) [12015909](#) [1-21030-1](#) [12041254](#) [12041318](#) [12047946-B](#)  
[12047957](#) [12047957-L](#) [12059473](#) [12066261](#)