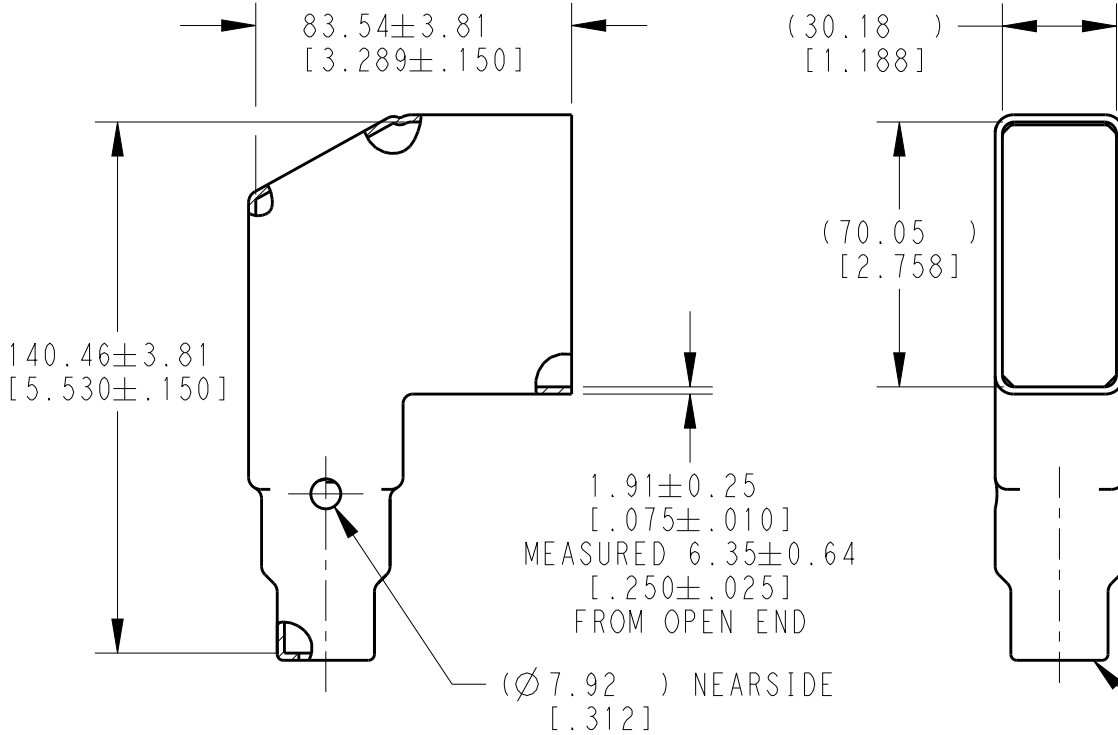


SCALE 1:4

REVISIONS

P	LTR	DESCRIPTION	DATE	DWN	APVD
	A1	REVISED PER PCN E-18-002788	23FEB2018	JA	DM
	A2	REVISED PER PCN E-18-006791	03MAY2018	SM	DM
	A3	REVISED PER PCN E-19-014640	11OCT2019	JA	IG
	A4	REVISED PER PCN E-19-016916	30OCT2019	JA	IG



5 SMALL MATERIAL EXTENSION IS ACCEPTABLE ON THIS END ALL AROUND.

4. BOTTOM PART OF MOLD OPEN.
3. THIS ACCESSORY PART IS PROVIDED WITHOUT TYPICAL TRANSPORTATION INDUSTRY PROCESS CONTROLS. NO VALIDATION TESTING HAS BEEN PERFORMED. CUSTOMER IS RESPONSIBLE FOR DETERMINING PRODUCT PERFORMANCE AND SUITABILITY FOR APPLICATION.
2. TEMPERATURE RATING: -29°C TO +100°C [-20°F TO +212°F]
1. THIS PART IS USED ON
 DRC12-40PX(E)-XXXX RECEPTACLE
 DRC14-40PX(E)-XXXX RECEPTACLE
 DRC16-40SX(E)-XXXX PLUG
 WHERE X=A,B,C,D KEYS AND
 XXXX=MODIFICATION

NOTES:

TE INTERNAL PN	DEUTSCH PN
DRC40-BT-90DEG	DRC40-BT-90DEG

THIS DRAWING IS UNPUBLISHED. ALL RIGHTS RESERVED. BY TE CONNECTIVITY. COPYRIGHT 2014

DIMENSIONS:	
mm [INCH]	
TOLERANCES UNLESS OTHERWISE SPECIFIED:	
0 PLC	±
1 PLC	±
2 PLC	±
3 PLC	±0.64 [.025]
4 PLC	±
ANGLES	± 5°

DWN D.MEYER	01JUL2014
CHK D.HASIBUAN	01JUL2014
APVD D.MEYER	01JUL2014
PRODUCT SPEC	
APPLICATION SPEC	
WEIGHT 48.63g	

MATERIAL	PVC	FINISH	BLACK
TE TE Connectivity			
NAME BOOT, 40 PIN, 90 DEG DRC SERIES			
SIZE	CAGE CODE	DRAWING NO	RESTRICTED TO
A 4	4AFU8	©-DRC40-BT-90DEG	-

CUSTOMER DRAWING	SCALE 1:2	SHEET 1 OF 1	REV A4
------------------	-----------	--------------	--------

X-ON Electronics

Largest Supplier of Electrical and Electronic Components

Click to view similar products for [Automotive Connectors](#) category:

Click to view products by [TE Connectivity](#) manufacturer:

Other Similar products are found below :

[003-018-000](#) [60403001](#) [60993906-B](#) [M902-2131](#) [M902-2161](#) [M902-2344](#) [72.330.1035.1](#) [73.353.4028.0](#) [F119300-B](#) [F166900](#) [F258300-B](#)
[F358300-B](#) [F407400](#) [F444110](#) [F487000](#) [F509500B-B](#) [827153-1](#) [8N1515-32-24P](#) [9-1326729-8](#) [925474-1](#) [928905-1](#) [964562-4](#) [968782-1](#)
[GT17SA-8DS-HU](#) [98891-1012](#) [98947-1016](#) [12004147](#) [12004475-L](#) [12010290](#) [12010309-B](#) [12015454](#) [12020219-B](#) [12041318-B](#) [12052225-](#)
[L](#) [12052466](#) [12064869](#) [12004327-B](#) [12015308](#) [12015384](#) [12015909](#) [1-21030-1](#) [12041254](#) [12041318](#) [12047946-B](#) [12047957](#) [12047957-L](#)
[12059473](#) [12066261](#) [12110546](#) [12110546-B](#)