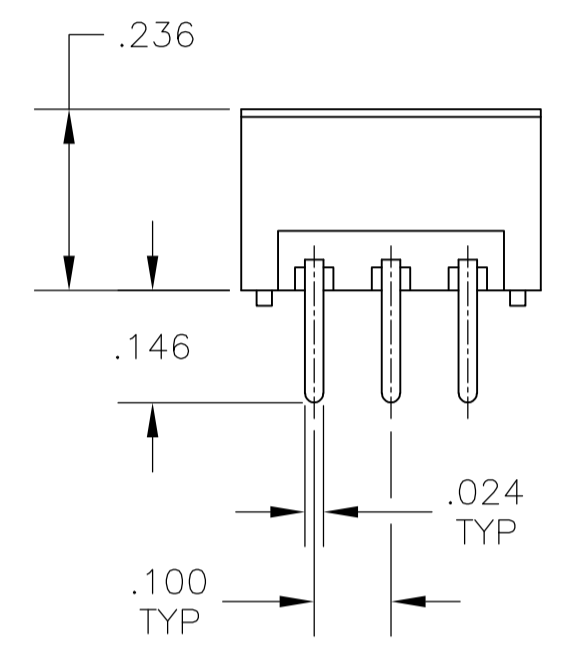
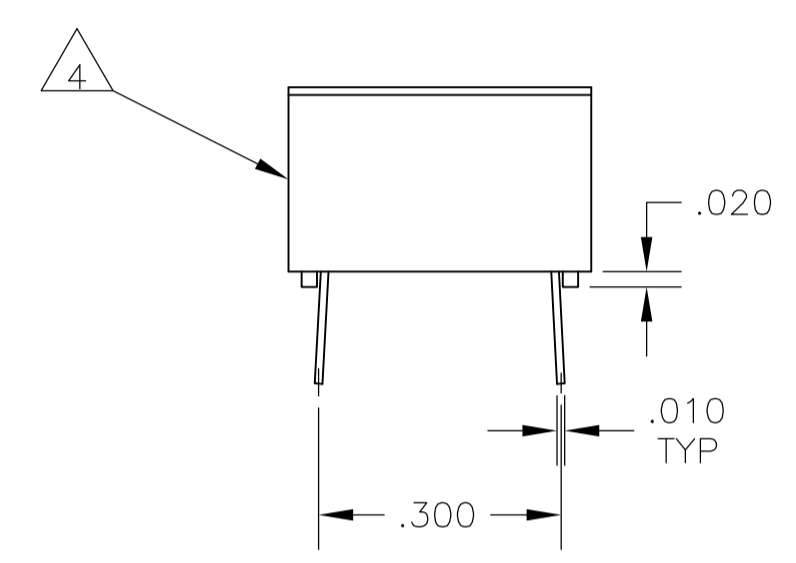
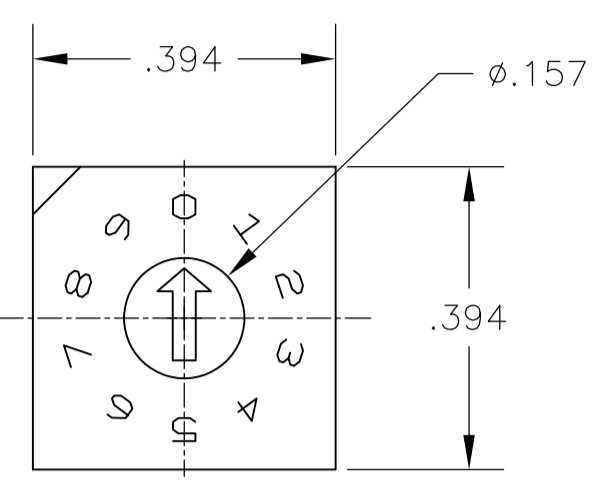
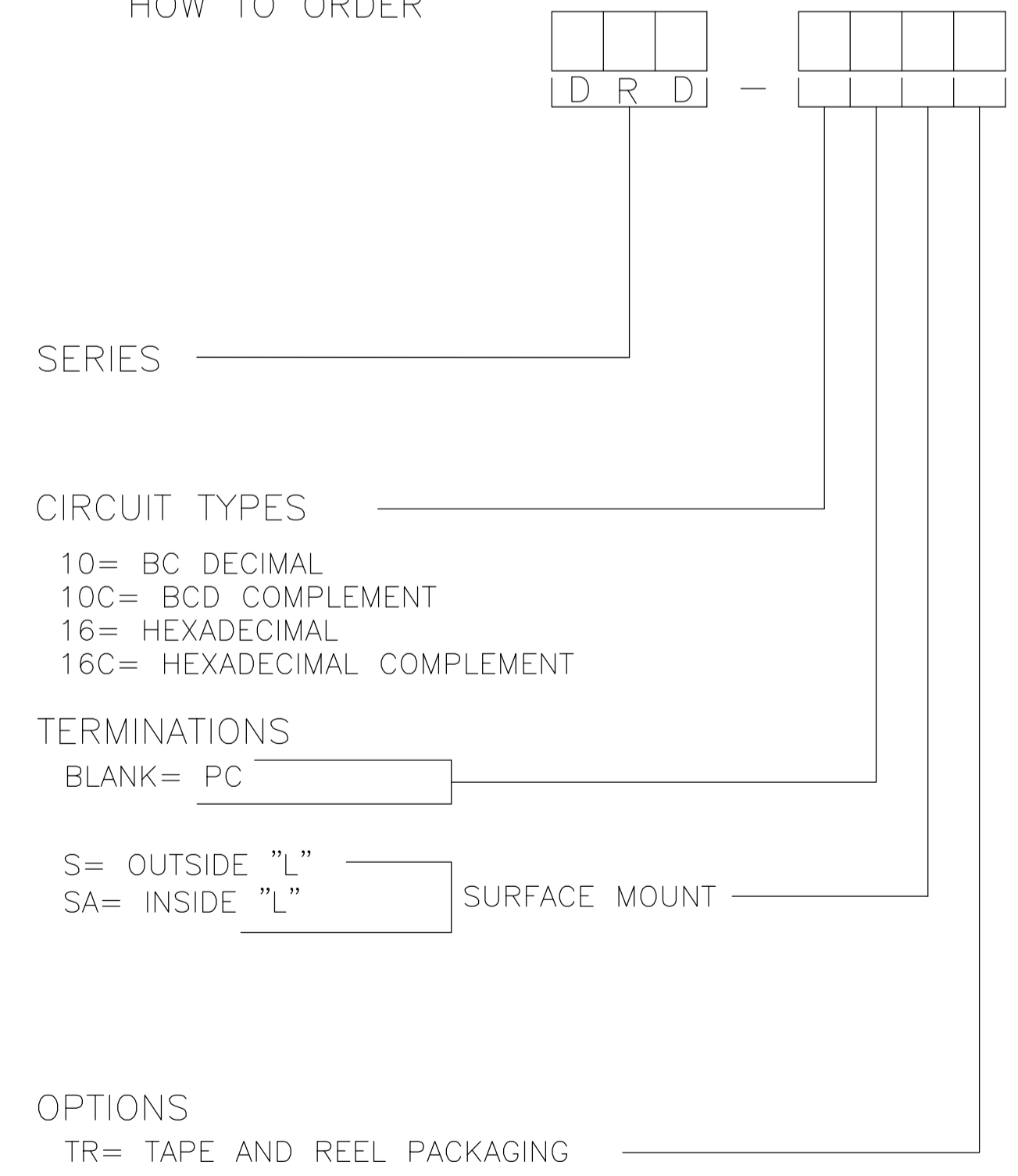


REVISIONS					
P	LTR	DESCRIPTION	DATE	DWN	APVD
A5	REVISED PER	ECO-17-001765	05MAY2017	SK	AS



PC MOUNT

HOW TO ORDER



SPECIFICATIONS:

**MATERIAL:**  
 FRAME & CASE- PPS UL94V-0, BLACK  
 ROTOR, PA6T UL94V-0, COLOR SEE P/N TABLE  
 FIXED CONTACT/TERMINAL- COPPER ALLOY, GOLD FLASH OVER NICKEL PLATE  
 MOVING CONTACT- COPPER ALLOY, GOLD FLASH OVER NICKEL PLATE  
 BALL SUPPORT PLATE- COPPER ALLOY  
 BALL- STAINLESS STEEL  
 DETENT SPRING- STAINLESS STEEL  
 O-RING- SILICON RUBBER

**ELECTRICAL:**  
 CONTACT RATING- 0.4VA@ 20V DC OR PEAK AC  
 INITIAL CONTACT RESISTANCE- 50 MILLIOHMS MAX  
 INSULATION RESISTANCE- 1,000 MEGOHMS@100V DC  
 DIELECTRIC STRENGTH- 300V AC  
 LIFE EXPECTANCY- 10,000 ROTATIONS

**MECHANICAL:**  
 OPERATING FORCE- 13.88 OZF.IN. MAX

**ENVIRONMENTAL:**  
 OPERATING TEMPERATURE- -30°C TO +85°C  
 STORAGE TEMPERATURE- -45°C TO +100°C  
 RESISTANCE TO SOLDER HEAT-PER 109-202, COND B (THRU-HOLE) OR 109-201, COND B (SMT)  
 SOLDERABILITY-PER JIS C 0050 & JIS C 0053

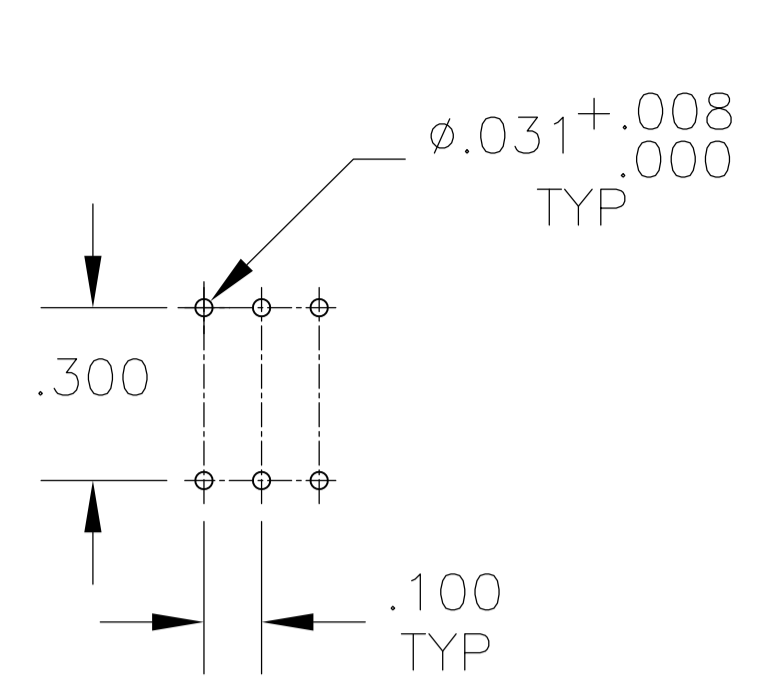
NOTES:

- ALL MATERIALS AND FINISHES SHALL COMPLY WITH EU DIRECTIVE 2002/95/EC OF 27JAN2003 (ROHS).
  - TAPE & REEL PACKAGING PER EIA-481.
  - COMMON TERMINALS ARE CONNECTED INTERNALLY.
- △ LOCATE 'ALCO' TRADE NAME AND LOT NUMBER MARKING. LOT NUMBER TO BE MARKED AS FOLLOW:  
 4 F  
 1ST DIGIT 2ND DIGIT  
 YEAR 1194 MONTH 6  
 MARK WITH PERMANENT WHITE INK.  
 △ TOP TAPE SEAL INCLUDED.

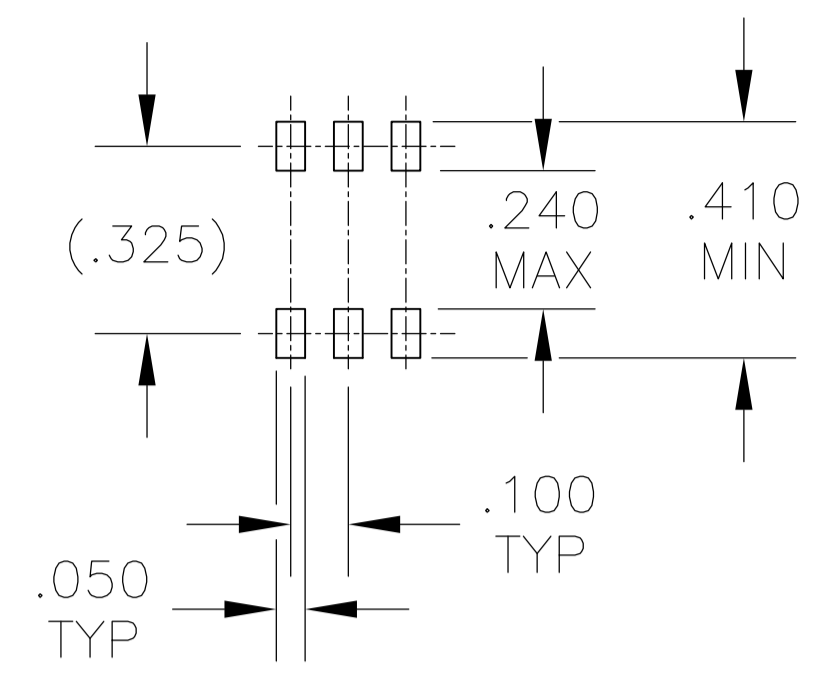
MTG TYPE	ROTOR COLOR	CASE COLOR	ALCO P/N	PART NO.
THRU-HOLE	BLACK	BLACK	DRD16ET04	2-1825007-2
THRU-HOLE	RED	BLACK	DRD10ET04	2-1825007-1
SMT	BLACK	BLACK	DRD16SETR04	2-1825007-0
SMT	BLACK	BLACK	DRD16SAETR04	1-1825007-9
SMT	BLACK	BLACK	DRD16SE04	1-1825007-8
SMT	BLACK	BLACK	DRD16SAE04	1-1825007-7
THRU-HOLE	BLACK	BLACK	DRD16E04	1-1825007-6
SMT	WHITE	BLACK	DRD16CSETR04	1-1825007-5
SMT	WHITE	BLACK	DRD16CSAETR04	1-1825007-4
SMT	WHITE	BLACK	DRD16CSE04	1-1825007-3
SMT	WHITE	BLACK	DRD16CSAE04	1-1825007-2
THRU-HOLE	WHITE	BLACK	DRD16CE04	1-1825007-1
SMT	RED	BLACK	DRD10SETR04	1-1825007-0
SMT	RED	BLACK	DRD10SAETR04	1825007-9
SMT	RED	BLACK	DRD10SE04	1825007-8
SMT	RED	BLACK	DRD10SAE04	1825007-7
THRU-HOLE	RED	BLACK	DRD10E04	1825007-6
SMT	ORANGE	BLACK	DRD10CSETR04	1825007-5
SMT	ORANGE	BLACK	DRD10CSAETR04	1825007-4
SMT	ORANGE	BLACK	DRD10CSE04	1825007-3
SMT	ORANGE	BLACK	DRD10CSAE04	1825007-2
THRU-HOLE	ORANGE	BLACK	DRD10CE04	1825007-1

THIS DRAWING IS A CONTROLLED DOCUMENT. DIMENSIONS IN INCHES. TOLERANCES UNLESS OTHERWISE SPECIFIED: 0 PLC ± .010, 1 PLC ± .010, 2 PLC ± .010, 3 PLC ± .010, 4 PLC ± .010, ANGLES ± .1°.

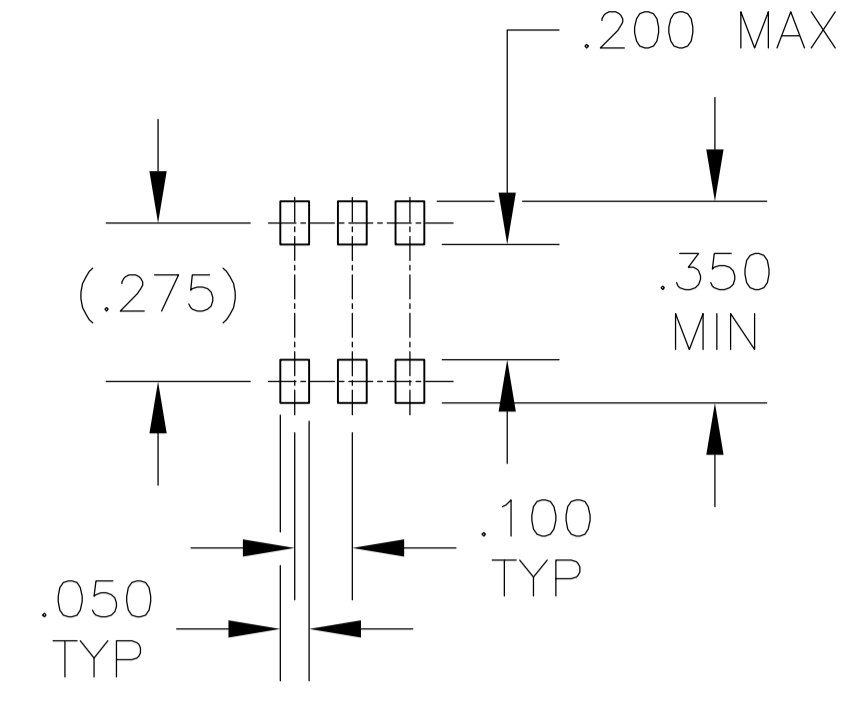
APVD	M.S.SARVER	DATE	10MAY05
NAME	STE TE Connectivity		
PRODUCT SPEC	ROTARY DIP DRD E SERIES		
APPLICATION SPEC	-		
SIZE	A1	CAGE CODE	00779
WEIGHT	0	DRAWING NO	1825007
CUSTOMER DRAWING	SCALE	4:1	SHEET 1 OF 2



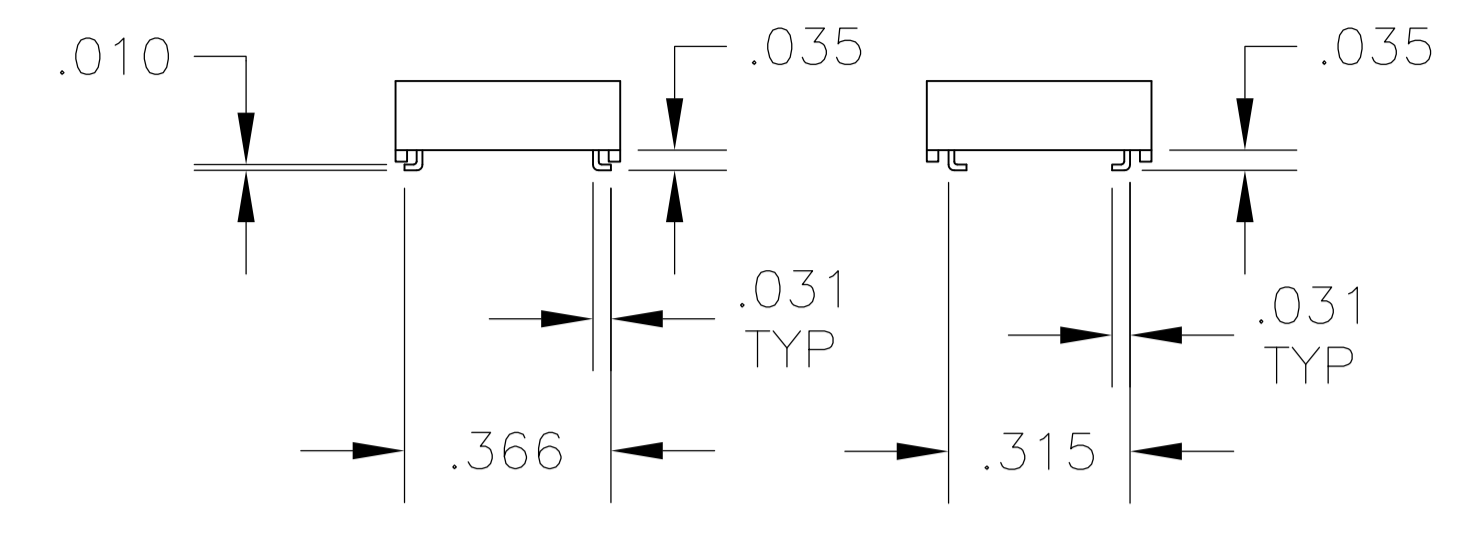
PC



OUTSIDE "L"



INSIDE "L"



OUTSIDE "L" TERMINAL VERTICAL

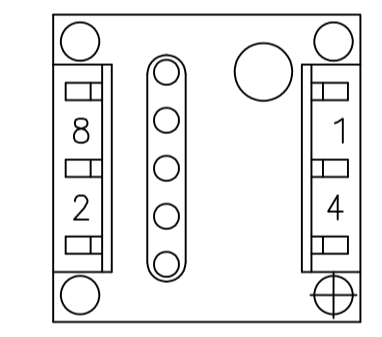
INSIDE "L" TERMINAL VERTICAL

PRINTED CIRCUIT BOARD LAYOUTS

TERMINAL CONFIGURATIONS

TRUTH TABLES

TERMINAL IDENTIFICATION (VIEWED FROM BOTTOM OF SWITCH)



10-POSITION, BCD ROTOR - RED

POS	0	1	2	3	4	5	6	7	8	9
C	X	X	X	X	X	X	X	X	X	X
1		X		X		X		X		X
2			X	X			X	X		
4					X	X	X	X		
8									X	X

16-POSITION, HEXADECIMAL ROTOR - BLACK

POS	0	1	2	3	4	5	6	7	8	9	A	B	C	D	E	F
C	X	X	X	X	X	X	X	X	X	X	X	X	X	X	X	X
1		X		X		X		X		X		X		X		X
2			X	X			X	X			X	X			X	X
4					X	X	X	X				X	X	X	X	X
8									X	X	X	X	X	X	X	X

10 POSITION, BCD COMPLEMENT ROTOR - ORANGE

POS	0	1	2	3	4	5	6	7	8	9
$\bar{C}$	X	X	X	X	X	X	X	X	X	X
$\bar{1}$	X		X		X		X		X	
$\bar{2}$	X	X			X	X			X	X
$\bar{4}$	X	X	X	X					X	X
$\bar{8}$	X	X	X	X	X	X	X	X		

16-POSITION, HEXADECIMAL COMPLEMENT ROTOR - WHITE

POS	0	1	2	3	4	5	6	7	8	9	A	B	C	D	E	F
$\bar{C}$	X	X	X	X	X	X	X	X	X	X	X	X	X	X	X	X
$\bar{1}$	X		X		X		X		X		X		X		X	
$\bar{2}$	X	X			X	X			X	X			X	X		
$\bar{4}$	X	X	X	X					X	X	X	X				
$\bar{8}$	X	X	X	X	X	X	X	X								

THIS DRAWING IS A CONTROLLED DOCUMENT.		DIN 10MAY05 B.S.VISWESWARA		TE Connectivity PRODUCT SPEC APPLICATION SPEC	
DIMENSIONS: INCHES		TOLERANCES UNLESS OTHERWISE SPECIFIED:			
0. PLC ± - 1. PLC ± - 2. PLC ± - 3. PLC ± .010 4. PLC ANGLES ± ± 1°		MATERIAL: SEE NOTE		NAME: M.S.SARVER PRODUCT SPEC: - APPLICATION SPEC: - SIZE: A1 CAGE CODE: 00779 DRAWING NO: 1825007 WEIGHT: 0 CUSTOMER DRAWING: -	
		SCALE: 4:1		SHEET 2 OF 2	

## X-ON Electronics

Largest Supplier of Electrical and Electronic Components

*Click to view similar products for [Coded Rotary Switches](#) category:*

*Click to view products by [TE Connectivity](#) manufacturer:*

Other Similar products are found below :

[94HCB08W](#) [94HCB10WR](#) [PT65503RT](#) [P60AS703](#) [P60A503](#) [P65THR101L254](#) [RTE16 LFTSVTPL 13613](#) [GSDR-10S](#) [CRD10CM0SBR](#)  
[DRS4116](#) [RTE1600R44](#) [ERD110RSZ](#) [ERD116CSZ](#) [ERD116RSZ](#) [94HBB16WT](#) [94HBB10WT](#) [94HAC10T](#) [94HAB16WT](#) [94HAB16T](#)  
[94HAB10WT](#) [94HAB08WT](#) [ERD216RSZ](#) [ND3FR10P](#) [DRR3110](#) [S-4010TA](#) [94HCB16WT](#) [94HCB16T](#) [94HCB10RAT](#) [94HCB08T](#)  
[94HAB16RAT](#) [94HAB10T](#) [94HAB08T](#) [S-2031A](#) [S-1010A](#) [RTE1000V14](#) [RTBH31BS10ANNZP](#) [PT65501L254](#) [PT65127L254](#)  
[PT65502L508](#) [1-1825007-1](#) [1-1825007-6](#) [ND3FR16B](#) [ND3FR16P-R](#) [RTE0400N04](#) [RTE1000N14](#) [RTE1002G14](#) [RTE1002N14](#)  
[RTE1010N14](#) [1825007-1](#) [1825008-2](#)