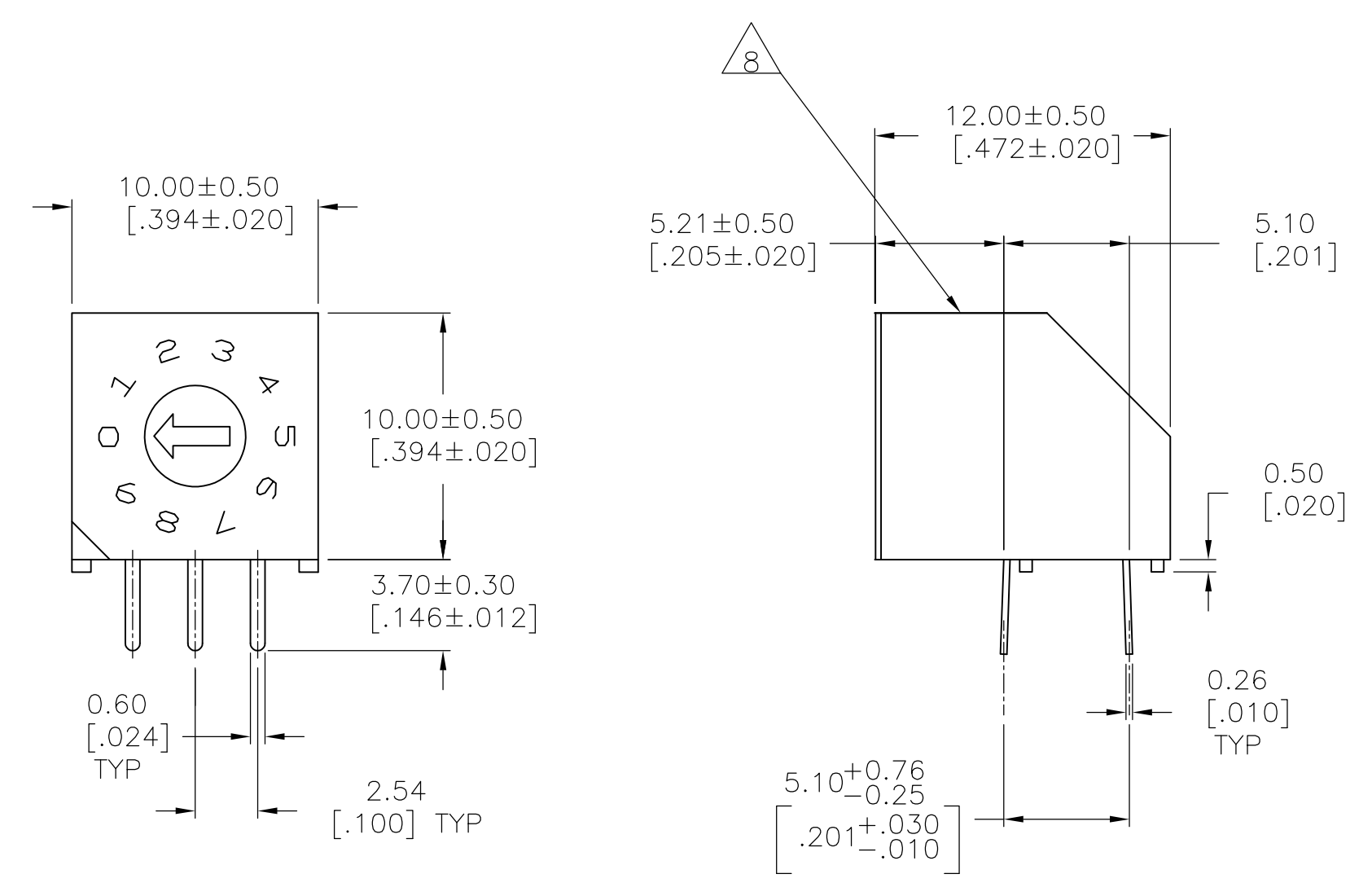
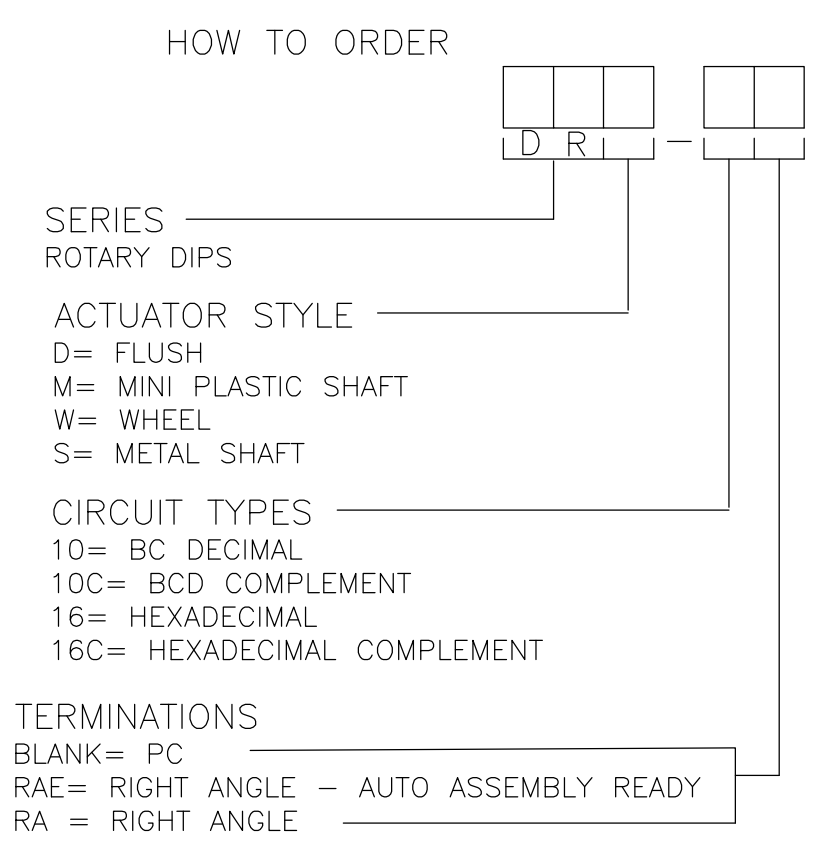


REVISIONS					
P	LTR	DESCRIPTION	DATE	DMN	APVD
A5	REVISED PER ECO-17-001765		05MAY2017	SK	AS



DRD RIGHT ANGLE
PC MOUNT



SPECIFICATIONS:

MATERIAL:
 FRAME & CASE- PPS UL94V-0, BLACK
 ROTOR, PA6T UL94V-0, COLOR SEE P/N TABLE
 FIXED CONTACT/TERMINAL- COPPER ALLOY, GOLD FLASH OVER NICKEL PLATE
 MOVING CONTACT- COPPER ALLOY, GOLD FLASH OVER NICKEL PLATE
 BALL SUPPORT PLATE- COPPER ALLOY
 BALL- STAINLESS STEEL
 DETENT SPRING- STAINLESS STEEL
 BUSHING (DRS)- ZINC DIE CAST
 SHAFT (DRS)- COPPER ALLOY- NICKEL PLATE

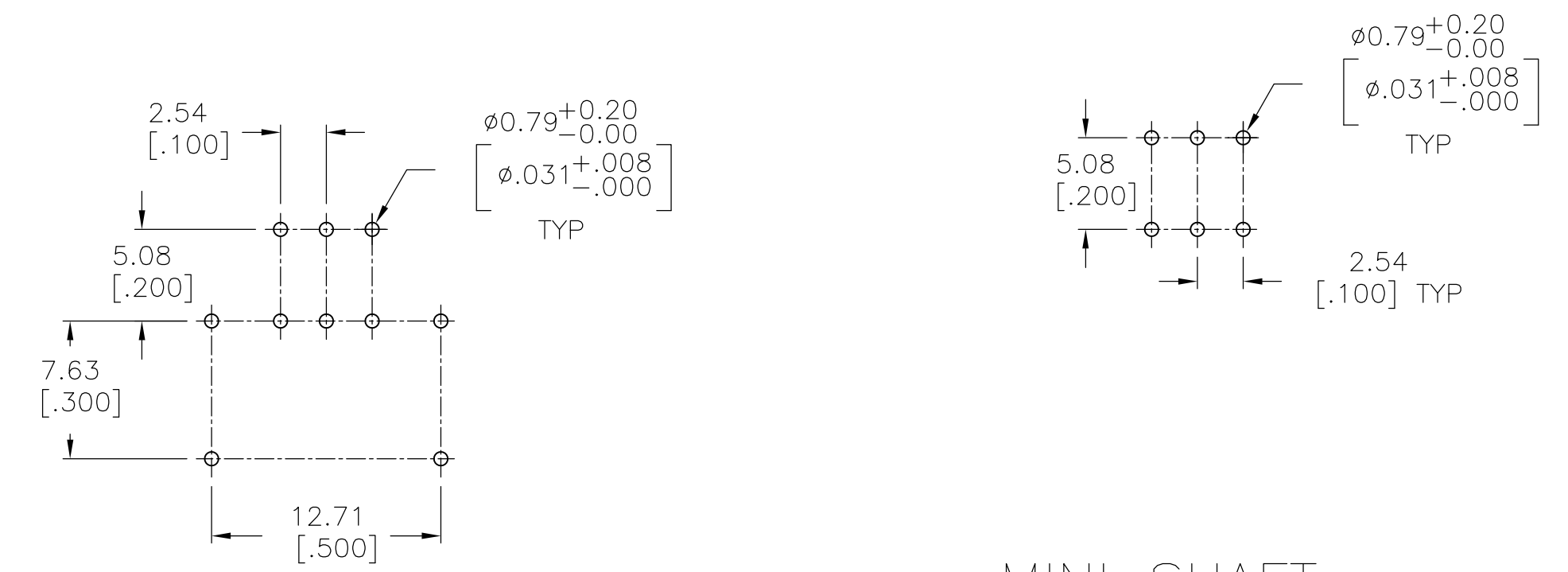
ELECTRICAL:
 CONTACT RATING- 0.4VA@ 20V DC OR PEAK AC
 INITIAL CONTACT RESISTANCE- 50 MILLIOHMS MAX
 INSULATION RESISTANCE- 1,000 MEGOHMS@100V DC
 DIELECTRIC STRENGTH- 300V AC
 LIFE EXPECTANCY- 10,000 ROTATIONS

MECHANICAL:
 OPERATING FORCE- 13.88 OZF.IN. MAX

ENVIRONMENTAL:
 OPERATING TEMPERATURE- -30°C TO +85°C
 STORAGE TEMPERATURE- -45°C TO +100°C
 RESISTANCE TO SOLDER HEAT-PER 109-202, COND B (THRU-HOLE)
 SOLDERABILITY-PER JIS C 0050 & JIS C 0053

NOTES:

- ALL MATERIALS AND FINISHES SHALL COMPLY WITH EU DIRECTIVE 2002/95/EC OF 27JAN2003 (ROHS)
 - COMMON TERMINALS ARE CONNECTED INTERNALLY, EXCEPT ON HYBRID VERSIONS.
 - RED ROTOR WITH WHITE PRINTING ON TOP AND SIDE OF SWITCH. "S" STYLES HAVE NOT PRINTING ON TOP.
 - BLACK ROTOR WITH WHITE PRINTING ON TOP AND SIDE OF SWITCH. "S" STYLES HAVE NO PRINTING ON TOP.
 - ORANGE ROTOR WITH WHITE PRINTING ON TOP AND SIDE OF SWITCH "S" STYLES HAVE NO PRINTING ON TOP.
 - WHITE ROTOR WITH WHITE PRINTING ON TOP AND SIDE OF SWITCH "S" STYLE HAVE NO PRINTING ON TOP.
- △ LOCATE 'ALCO' TRADE NAME AND LOT NUMBER MARKING. LOT NUMBER TO BE MARKED AS FOLLOW:
- 4 1ST DIGIT
F 2ND DIGIT
YEAR 1194 MONTH 6
- MARK WITH PERMANENT WHITE INK.



"S" STYLE

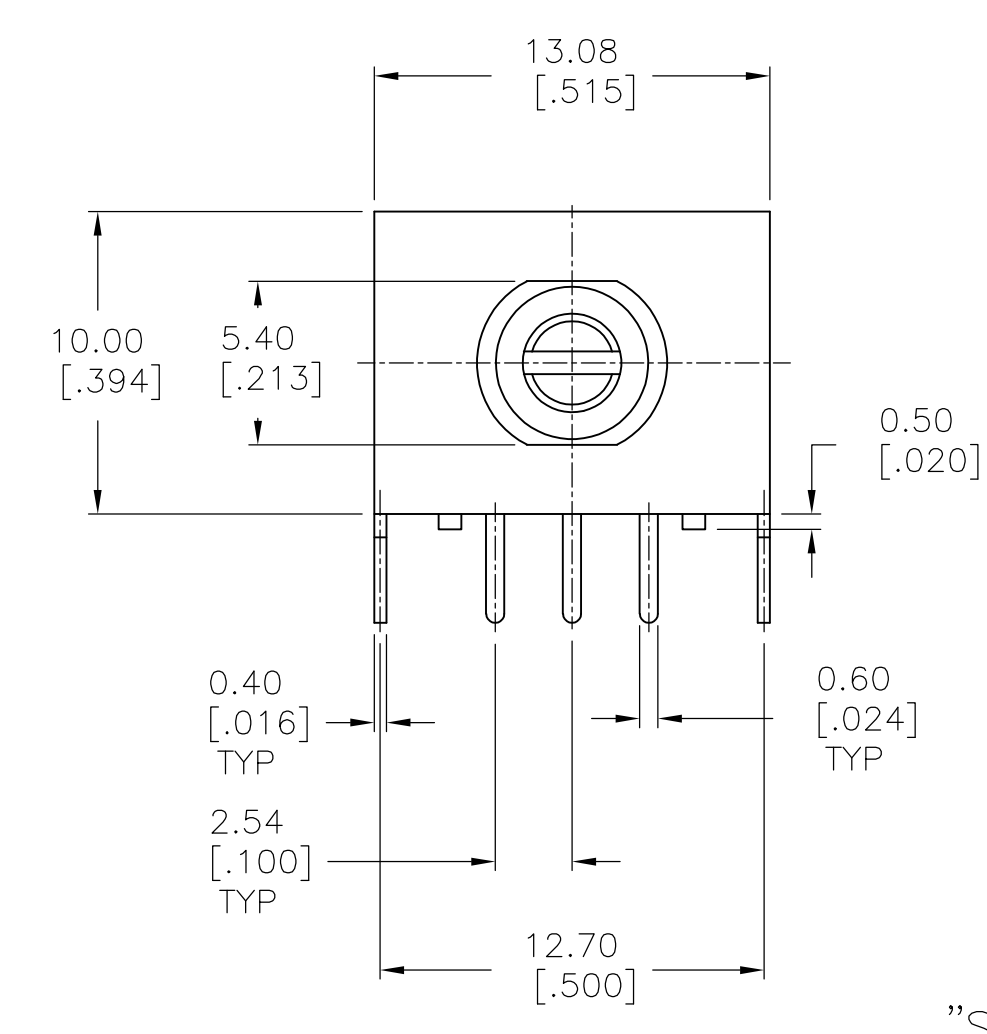
MINI SHAFT
FLUSH
WHEEL

PRINTED CIRCUIT BOARD LAYOUTS

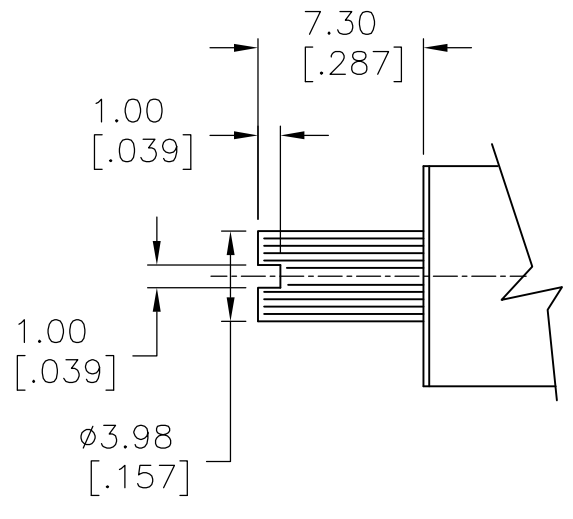
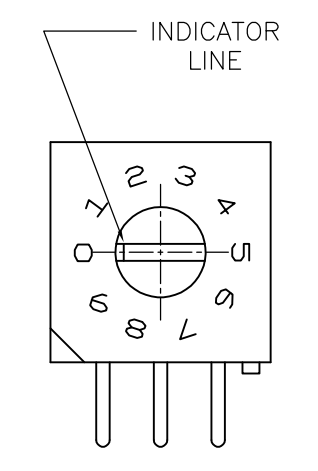
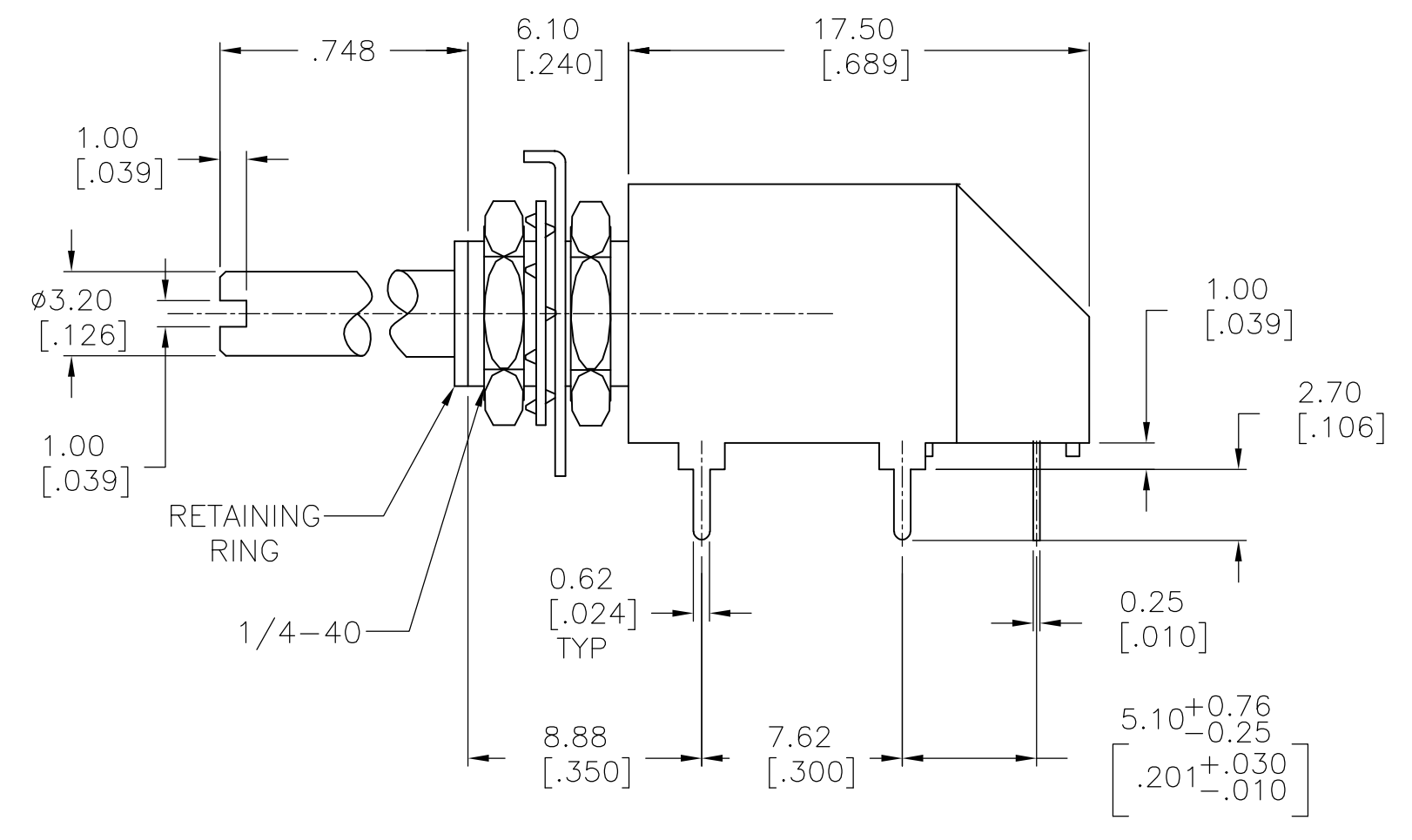
	BLACK	DRW16RAE04	1-1825008-6
	WHITE	DRW16CRAE04	1-1825008-5
	RED	DRW10RAE04	1-1825008-4
OBSOLETE	ORANGE	DRW10CRAE04	1-1825008-3
	N/A	DRS16RA04	1-1825008-2
	N/A	DRS16CRA04	1-1825008-1
	N/A	DRS10RA04	1-1825008-0
OBSOLETE	N/A	DRS10CRAE04	1825008-9
	BLACK	DRM16RAE04	1825008-8
OBSOLETE	WHITE	DRM16CRAE04	1825008-7
	RED	DRM10RAE04	1825008-6
OBSOLETE	ORANGE	DRM10CRAE04	1825008-5
	BLACK	DRD16RAE04	1825008-4
	WHITE	DRD16CRAE04	1825008-3
	RED	DRD10RAE04	1825008-2
OBSOLETE	ORANGE	DRD10CRAE04	1825008-1
	ROTOR COLOR	T&B P/N	PART NO.

THIS DRAWING IS A CONTROLLED DOCUMENT.		DIN 17MAY2005	
DIMENSIONS: mm [INCHES]		E.S.VISWESWARA	
TOLERANCES UNLESS OTHERWISE SPECIFIED:		CIRK M.S.SARVER	
0 PLC	± -	APVD -	
1 PLC	± -	NAME	
2 PLC	± 0.25	PRODUCT SPEC	
3 PLC	± -	APPLICATION SPEC	
4 PLC	± -	SIZE	
ANGLES	± 1'	CAGE CODE	
MATERIAL	FINISH	DRAWING NO	
		RESTRICTED TO	
		WEIGHT	
		A1 00779 1825008	
CUSTOMER DRAWING		SCALE 4:1 SHEET 1 OF 2 REV A5	

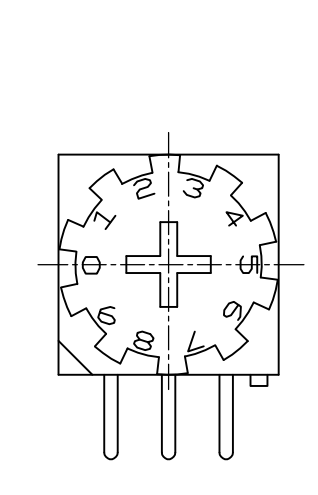
REVISIONS				
P	LYR	DESCRIPTION	DATE	APVD
-	-	SEE SHEET 1	-	-



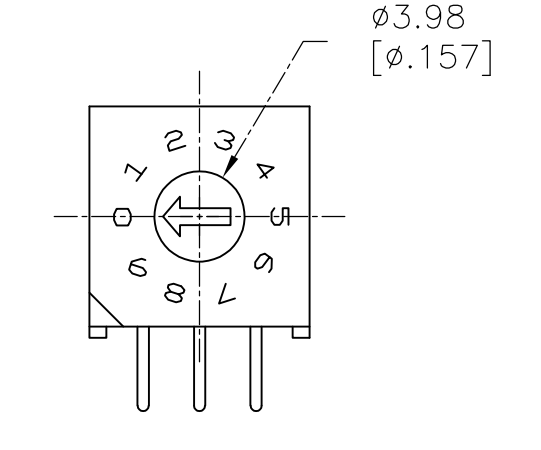
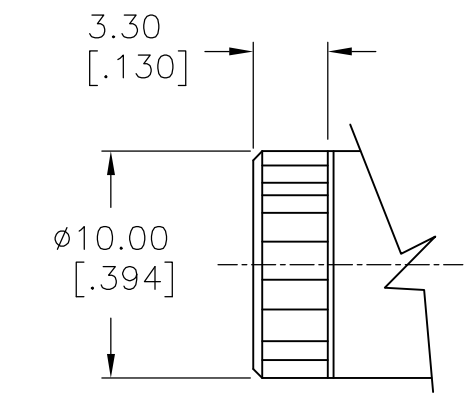
"S" STYLE



MINI SHAFT
'M' STYLE

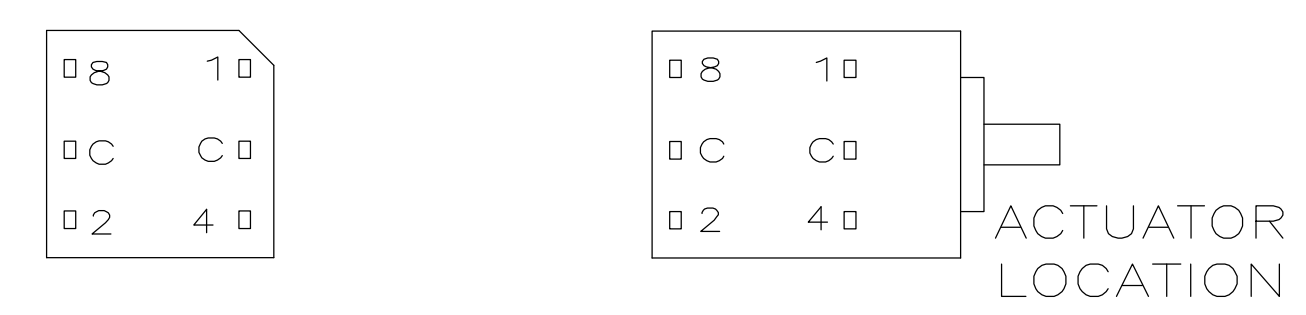


WHEEL
'W' STYLE



'D' STYLE

TERMINAL IDENTIFICATION FOR DR SERIES ONLY
(VIEWED FROM BOTTOM OF SWITCH)



ACTUATORS
SCALE:3:1

10-POSITION, BCD SEE NOTE 3

POS	0	1	2	3	4	5	6	7	8	9
C	X	X	X	X	X	X	X	X	X	X
1		X		X		X		X		X
2			X	X			X	X		
4					X	X	X	X		
8									X	X

16-POSITION, HEXADECIMAL SEE NOTE 4

POS	0	1	2	3	4	5	6	7	8	9	A	B	C	D	E	F
C	X	X	X	X	X	X	X	X	X	X	X	X	X	X	X	X
1		X		X		X		X		X		X		X		X
2			X	X			X	X			X	X			X	X
4					X	X	X	X					X	X	X	X
8									X	X	X	X	X	X	X	X

10 POSITION, BCD COMPLEMENT SEE NOTE 5

POS	0	1	2	3	4	5	6	7	8	9
C̄	X	X	X	X	X	X	X	X	X	X
1̄	X		X		X		X		X	
2̄	X	X			X	X			X	X
4̄	X	X	X	X					X	X
8̄	X	X	X	X	X	X	X	X		

16-POSITION, HEXADECIMAL COMPLEMENT SEE NOTE 6

POS	0	1	2	3	4	5	6	7	8	9	A	B	C	D	E	F
C̄	X	X	X	X	X	X	X	X	X	X	X	X	X	X	X	X
1̄	X		X		X		X		X		X		X		X	
2̄	X	X			X	X			X	X			X	X		
4̄	X	X	X	X					X	X	X	X				
8̄	X	X	X	X	X	X	X	X								

THIS DRAWING IS A CONTROLLED DOCUMENT.

DIMENSIONS: mm [INCHES]	TOLERANCES UNLESS OTHERWISE SPECIFIED: 0. PLC ± - 1. PLC ± - 2. PLC ± 0.25 3. PLC ± - 4. PLC ± - ANGLES ± 1°	DIN E.S.VISWESWARA CHK M.S.SARVER APVD	17MAY2005 -	TE Connectivity	
MATERIAL		WEIGHT		SIZE: A1 CASE CODE: 00779 DRAWING NO: C=1825008 RESTRICTED TO: -	
CUSTOMER DRAWING		SCALE: 4:1		SHEET 2 OF 2 REV A5	

X-ON Electronics

Largest Supplier of Electrical and Electronic Components

Click to view similar products for [Coded Rotary Switches](#) category:

Click to view products by [TE Connectivity](#) manufacturer:

Other Similar products are found below :

[94HCB08W](#) [94HCB10WR](#) [PT65503RT](#) [P60AS703](#) [P60A503](#) [P65THR101L254](#) [RTE16 LFTSVTPL 13613](#) [GSDR-10S](#) [CRD10CM0SBR](#)
[DRS4116](#) [RTE1600R44](#) [ERD110RSZ](#) [ERD116CSZ](#) [ERD116RSZ](#) [ERD716M06Z](#) [94HBB16WT](#) [94HBB10WT](#) [94HAC10T](#) [94HAB16T](#)
[94HAB10WT](#) [94HAB10RAT](#) [94HAB08WT](#) [ERD216RSZ](#) [ND3FR10P](#) [DRR3110](#) [S-4010TA](#) [94HCB16WT](#) [94HCB16T](#) [94HCB10RAT](#)
[94HCB08T](#) [94HAB16RAT](#) [94HAB10T](#) [94HAB08T](#) [S-2031A](#) [S-1010A](#) [RTE1000V14](#) [RTBH31BS10ANNZP](#) [PT65501L254](#) [PT65127L254](#)
[PT65502L508](#) [1-1825007-1](#) [1-1825007-6](#) [ND3FR16B](#) [ND3FR16P-R](#) [SMR14116](#) [RTE0400N04](#) [RTE1000N14](#) [RTE1002G14](#) [RTE1002N14](#)
[RTE1010N14](#)