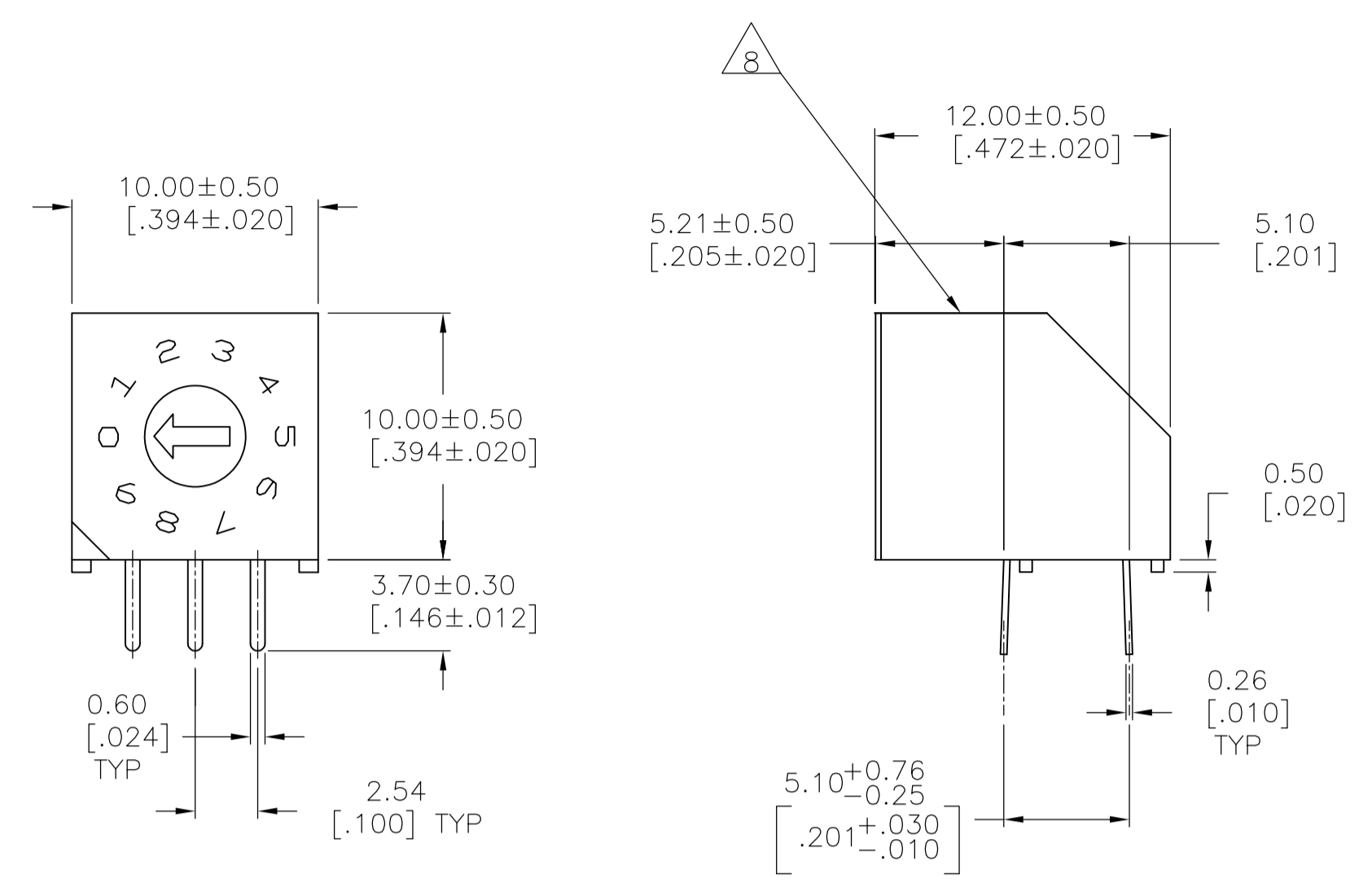
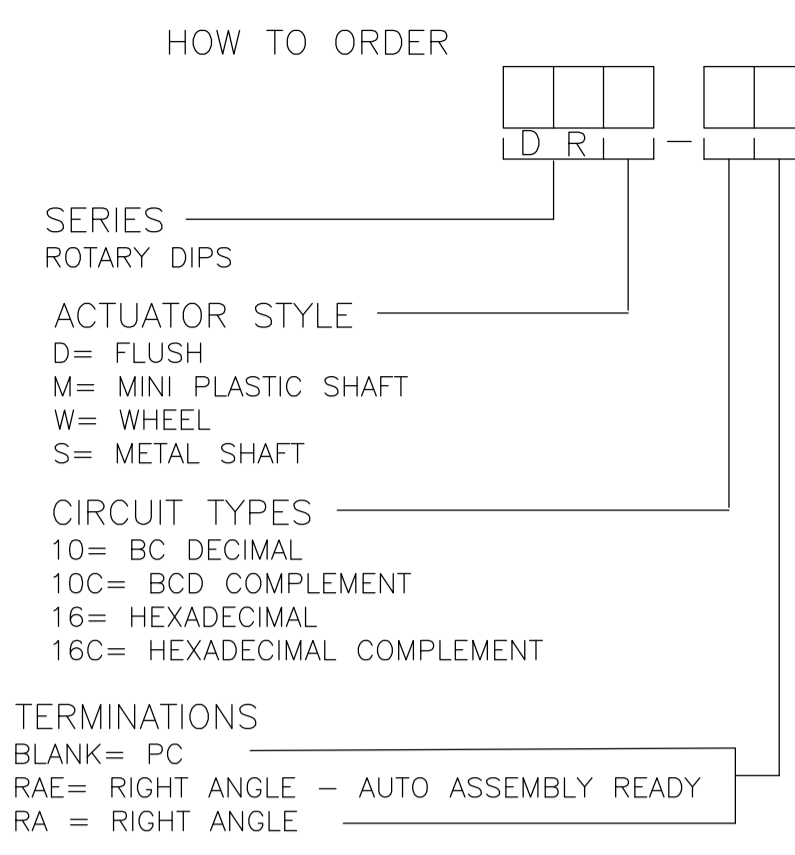


REVISIONS					
P	LTR	DESCRIPTION	DATE	DMN	APVD
A5	REVISED PER ECO-17-001765		05MAY2017	SK	AS



DRD RIGHT ANGLE
PC MOUNT



SPECIFICATIONS:

MATERIAL:
 FRAME & CASE- PPS UL94V-0, BLACK
 ROTOR, PA6T UL94V-0, COLOR SEE P/N TABLE
 FIXED CONTACT/TERMINAL- COPPER ALLOY, GOLD FLASH OVER NICKEL PLATE
 MOVING CONTACT- COPPER ALLOY, GOLD FLASH OVER NICKEL PLATE
 BALL SUPPORT PLATE- COPPER ALLOY
 BALL- STAINLESS STEEL
 DETENT SPRING- STAINLESS STEEL
 BUSHING (DRS)- ZINC DIE CAST
 SHAFT (DRS)- COPPER ALLOY- NICKEL PLATE

ELECTRICAL:
 CONTACT RATING- 0.4VA@ 20V DC OR PEAK AC
 INITIAL CONTACT RESISTANCE- 50 MILLIOHMS MAX
 INSULATION RESISTANCE- 1,000 MEGOHMS@100V DC
 DIELECTRIC STRENGTH- 300V AC
 LIFE EXPECTANCY- 10,000 ROTATIONS

MECHANICAL:
 OPERATING FORCE- 13.88 OZF.IN. MAX

ENVIRONMENTAL:
 OPERATING TEMPERATURE- -30°C TO +85°C
 STORAGE TEMPERATURE- -45°C TO +100°C
 RESISTANCE TO SOLDER HEAT-PER 109-202, COND B (THRU-HOLE)
 SOLDERABILITY-PER JIS C 0050 & JIS C 0053

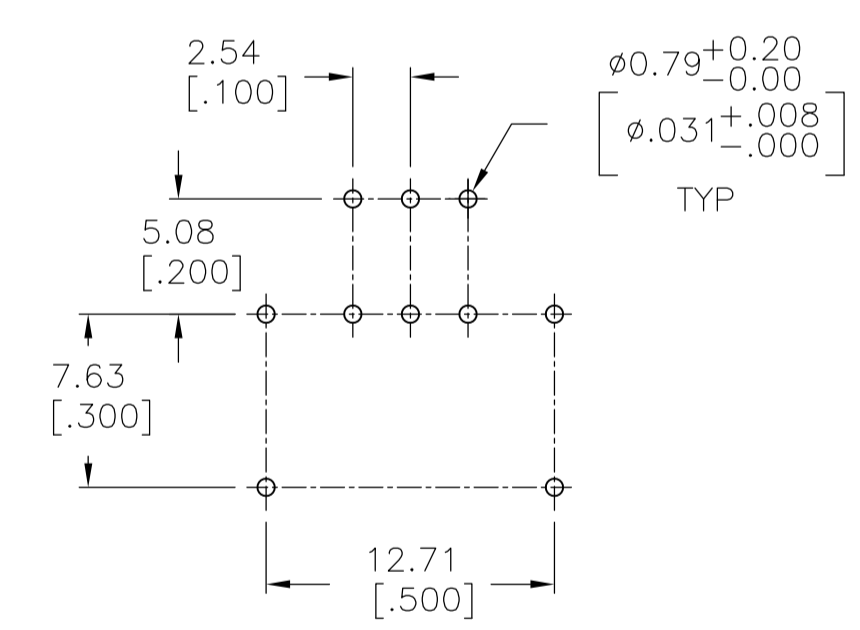
NOTES:

- ALL MATERIALS AND FINISHES SHALL COMPLY WITH EU DIRECTIVE 2002/95/EC OF 27JAN2003 (ROHS)
- COMMON TERMINALS ARE CONNECTED INTERNALLY, EXCEPT ON HYBRID VERSIONS.
- RED ROTOR WITH WHITE PRINTING ON TOP AND SIDE OF SWITCH. "S" STYLES HAVE NOT PRINTING ON TOP.
- BLACK ROTOR WITH WHITE PRINTING ON TOP AND SIDE OF SWITCH. "S" STYLES HAVE NO PRINTING ON TOP.
- ORANGE ROTOR WITH WHITE PRINTING ON TOP AND SIDE OF SWITCH "S" STYLES HAVE NO PRINTING ON TOP.
- WHITE ROTOR WITH WHITE PRINTING ON TOP AND SIDE OF SWITCH "S" STYLE HAVE NO PRINTING ON TOP.

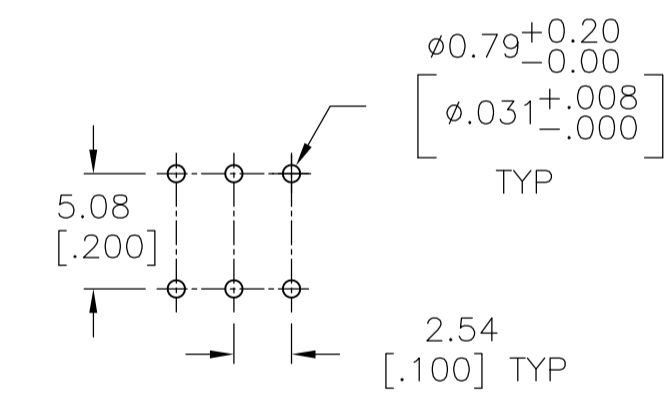
LOCATE 'ALCO' TRADE NAME AND LOT NUMBER MARKING. LOT NUMBER TO BE MARKED AS FOLLOW:

4 1ST DIGIT
F 2ND DIGIT
YEAR 1194 MONTH 6

MARK WITH PERMANENT WHITE INK.



"S" STYLE



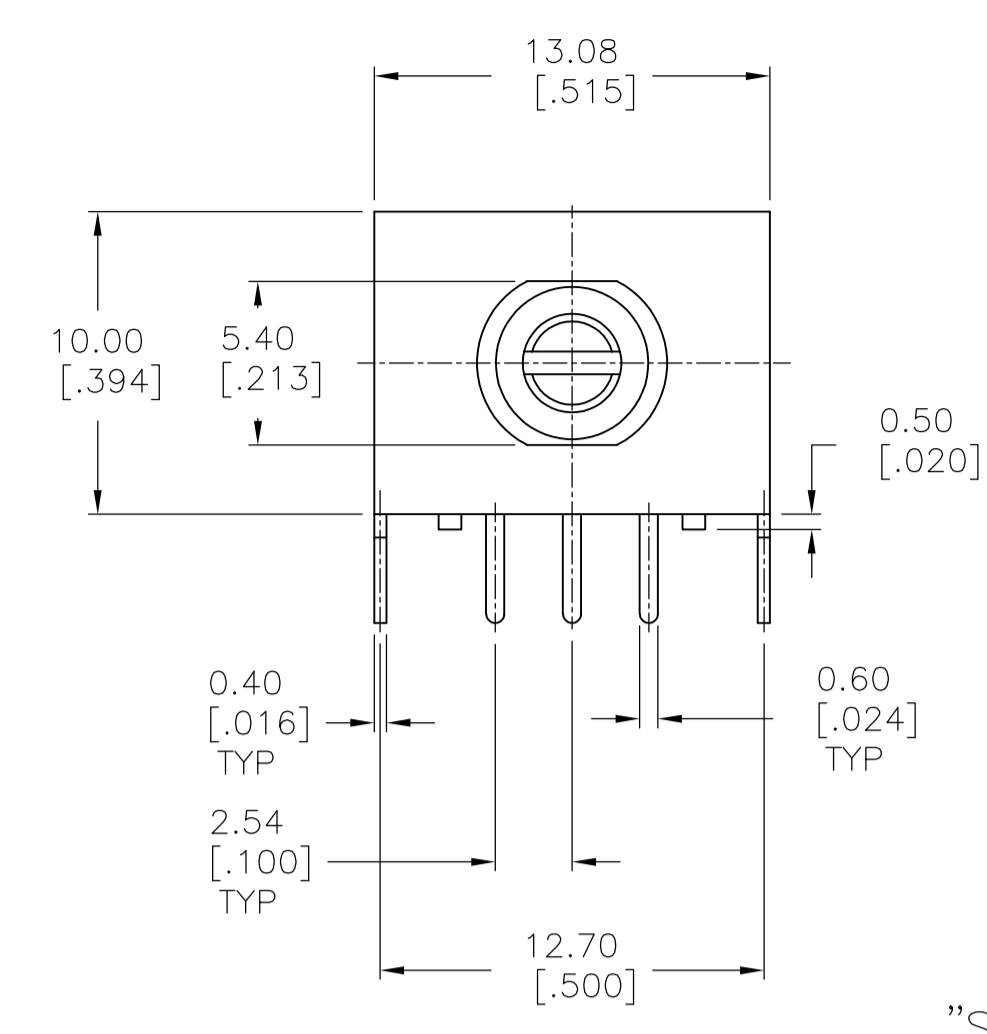
MINI SHAFT
FLUSH
WHEEL

PRINTED CIRCUIT BOARD LAYOUTS

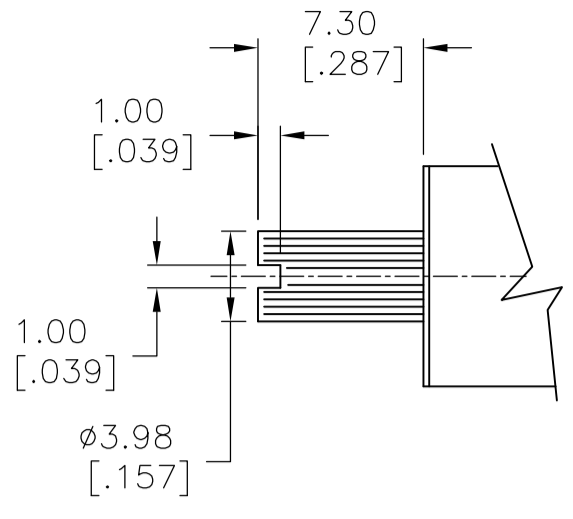
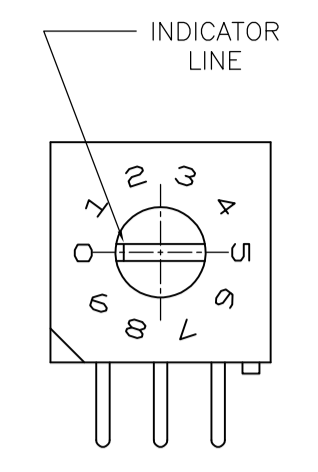
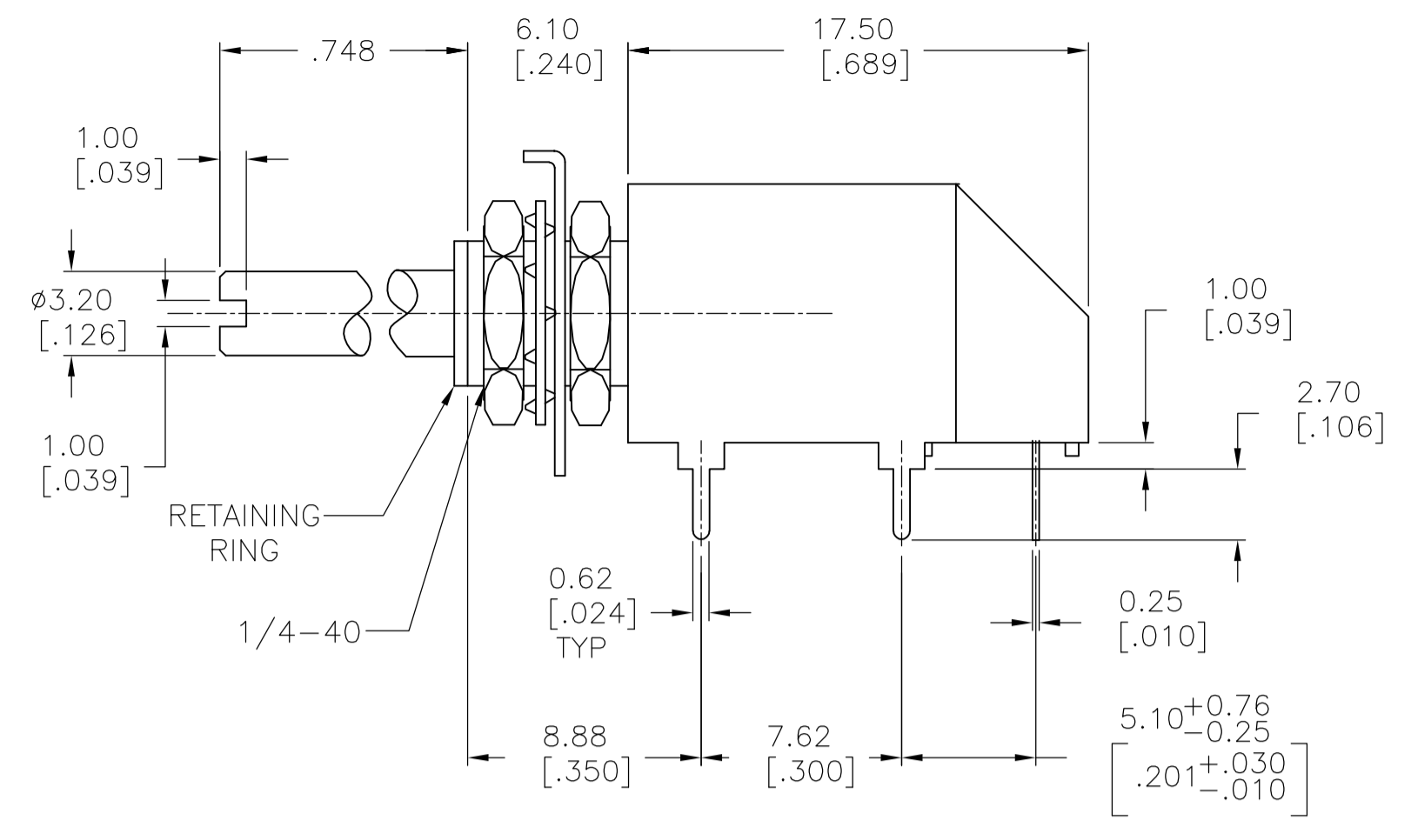
	BLACK	DRW16RAE04	1-1825008-6
	WHITE	DRW16CRAE04	1-1825008-5
	RED	DRW10RAE04	1-1825008-4
OBSOLETE	ORANGE	DRW10CRAE04	1-1825008-3
	N/A	DRS16RA04	1-1825008-2
	N/A	DRS16CRA04	1-1825008-1
	N/A	DRS10RA04	1-1825008-0
OBSOLETE	N/A	DRS10CRAE04	1825008-9
	BLACK	DRM16RAE04	1825008-8
OBSOLETE	WHITE	DRM16CRAE04	1825008-7
	RED	DRM10RAE04	1825008-6
OBSOLETE	ORANGE	DRM10CRAE04	1825008-5
	BLACK	DRD16RAE04	1825008-4
	WHITE	DRD16CRAE04	1825008-3
	RED	DRD10RAE04	1825008-2
OBSOLETE	ORANGE	DRD10CRAE04	1825008-1
	ROTOR COLOR	T&B P/N	PART NO.

THIS DRAWING IS A CONTROLLED DOCUMENT.		DIN 17MAY2005	
DIMENSIONS: mm [INCHES]		E.S.VISWESWARA	
TOLERANCES UNLESS OTHERWISE SPECIFIED:		CIRK M.S.SARVER	
0 PLC	± -	APVD -	
1 PLC	± -	NAME	
2 PLC	± 0.25	PRODUCT SPEC	
3 PLC	± -	APPLICATION SPEC	
4 PLC	± -	SIZE	
ANGLES	± 1'	CAGE CODE	
MATERIAL	FINISH	DRAWING NO	
		RESTRICTED TO	
		WEIGHT	
		A1 00779 1825008	
CUSTOMER DRAWING		SCALE 4:1 SHEET 1 OF 2 REV A5	

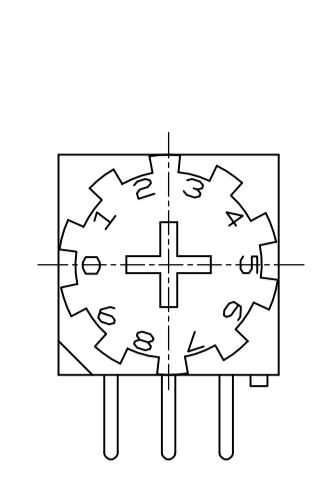
REVISIONS				
P	LYR	DESCRIPTION	DATE	APPV
-	-	SEE SHEET 1	-	-



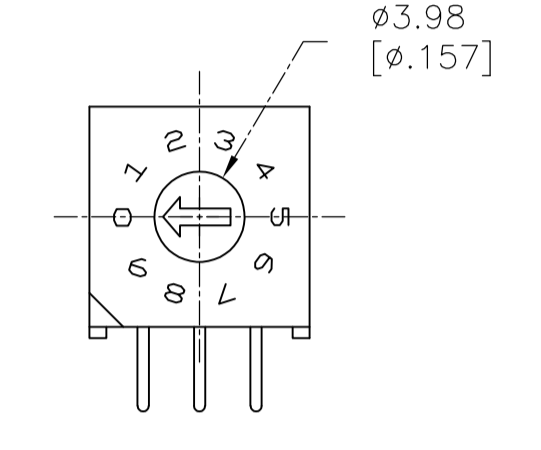
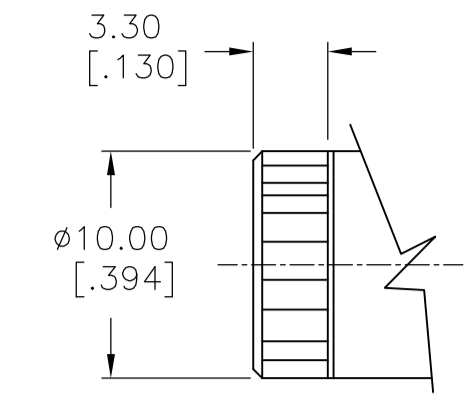
"S" STYLE



MINI SHAFT
'M' STYLE

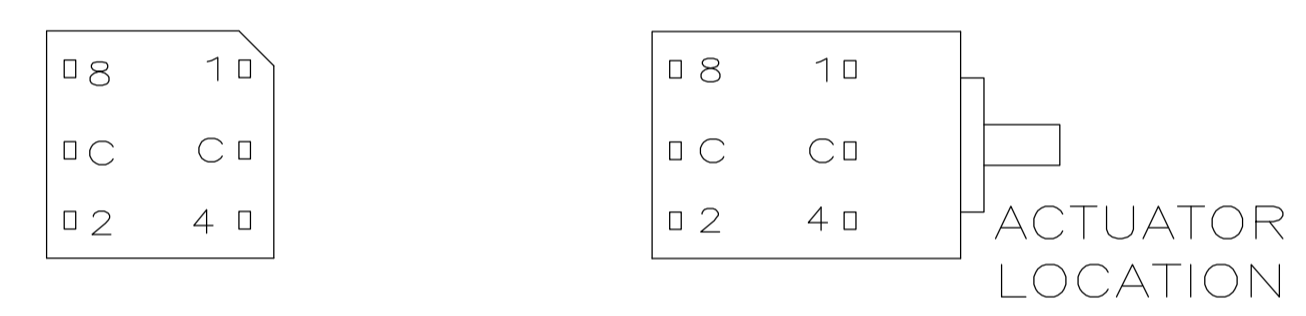


WHEEL
'W' STYLE



'D' STYLE

TERMINAL IDENTIFICATION FOR DR SERIES ONLY
(VIEWED FROM BOTTOM OF SWITCH)



ACTUATORS
SCALE:3:1

10-POSITION, BCD SEE NOTE 3

POS	0	1	2	3	4	5	6	7	8	9
C	X	X	X	X	X	X	X	X	X	X
1		X		X		X		X		X
2			X	X			X	X		
4					X	X	X	X		
8									X	X

16-POSITION, HEXADECIMAL SEE NOTE 4

POS	0	1	2	3	4	5	6	7	8	9	A	B	C	D	E	F
C	X	X	X	X	X	X	X	X	X	X	X	X	X	X	X	X
1		X		X		X		X		X		X		X		X
2			X	X			X	X			X	X			X	X
4					X	X	X	X					X	X	X	X
8									X	X	X	X	X	X	X	X

10 POSITION, BCD COMPLEMENT SEE NOTE 5

POS	0	1	2	3	4	5	6	7	8	9
C̄	X	X	X	X	X	X	X	X	X	X
1̄	X		X		X		X		X	
2̄	X	X			X	X			X	X
4̄	X	X	X	X					X	X
8̄	X	X	X	X	X	X	X	X		

16-POSITION, HEXADECIMAL COMPLEMENT SEE NOTE 6

POS	0	1	2	3	4	5	6	7	8	9	A	B	C	D	E	F
C̄	X	X	X	X	X	X	X	X	X	X	X	X	X	X	X	X
1̄	X		X		X		X		X		X		X		X	
2̄	X	X			X	X			X	X			X	X		
4̄	X	X	X	X					X	X	X	X				
8̄	X	X	X	X	X	X	X	X								

THIS DRAWING IS A CONTROLLED DOCUMENT.

DIMENSIONS: mm [INCHES]	TOLERANCES UNLESS OTHERWISE SPECIFIED: 0. PLC ± - 1. PLC ± - 2. PLC ± 0.25 3. PLC ± - 4. PLC ± - ANGLES ± 1°	DIN 17 MAY 2005 BY S.VISWESWARA CHK M.S.SARVER APVD - NAME - PRODUCT SPEC - APPLICATION SPEC - WEIGHT 0	STE TE Connectivity DR***RA SERIES ROTARY DIP SWITCH SIZE A1 CAGE CODE 00779 DRAWING NO. 1825008 RESTRICTED TO - CUSTOMER DRAWING
----------------------------	--	--	---

SCALE 4:1 SHEET 2 OF 2 REV A5

X-ON Electronics

Largest Supplier of Electrical and Electronic Components

Click to view similar products for [Coded Rotary Switches](#) category:

Click to view products by [TE Connectivity](#) manufacturer:

Other Similar products are found below :

[94HCB08W](#) [94HCB10WR](#) [PT65503RT](#) [P60AS703](#) [P60A503](#) [P65THR101L254](#) [RTE16 LFTSVTPL 13613](#) [GSDR-10S](#) [CRD10CM0SBR](#)
[DRS4116](#) [RTE1600R44](#) [ERD116CSZ](#) [ERD116RSZ](#) [ERD716M06Z](#) [94HBB16WT](#) [94HBB10WT](#) [94HAC10T](#) [94HAB16T](#) [94HAB10WT](#)
[94HAB10RAT](#) [94HAB08WT](#) [ERD216RSZ](#) [ND3FR10P](#) [DRR3110](#) [S-4010TA](#) [94HCB16WT](#) [94HCB16T](#) [94HCB10RAT](#) [94HCB08T](#)
[94HAB16RAT](#) [94HAB10T](#) [94HAB08T](#) [S-2031A](#) [S-1010A](#) [RTE1000V14](#) [RTBH31BS10ANNZP](#) [PT65501L254](#) [PT65127L254](#)
[PT65502L508](#) [1-1825007-1](#) [1-1825007-6](#) [ND3FR16B](#) [ND3FR16P-R](#) [SMR14116](#) [RTE0400N04](#) [RTE1000N14](#) [RTE1002G14](#) [RTE1002N14](#)
[RTE1010N14](#) [1825007-1](#)