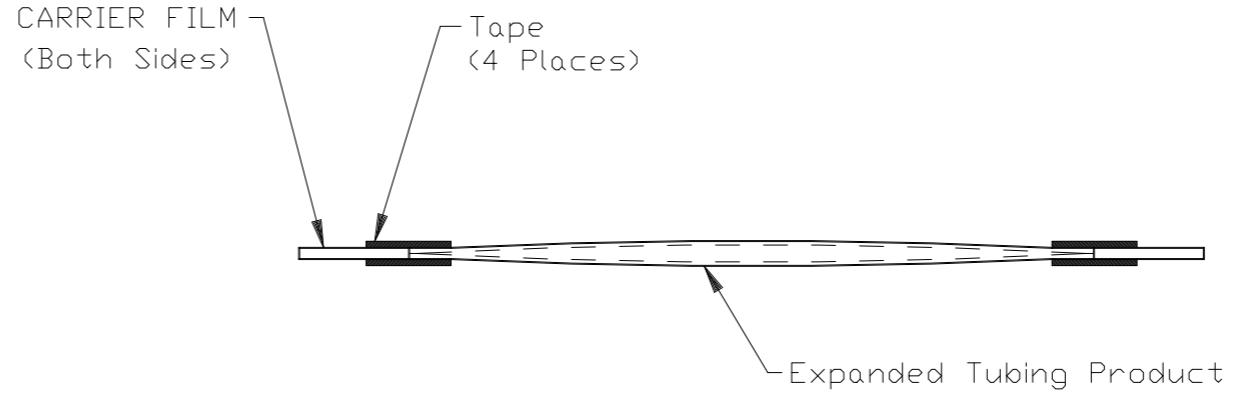
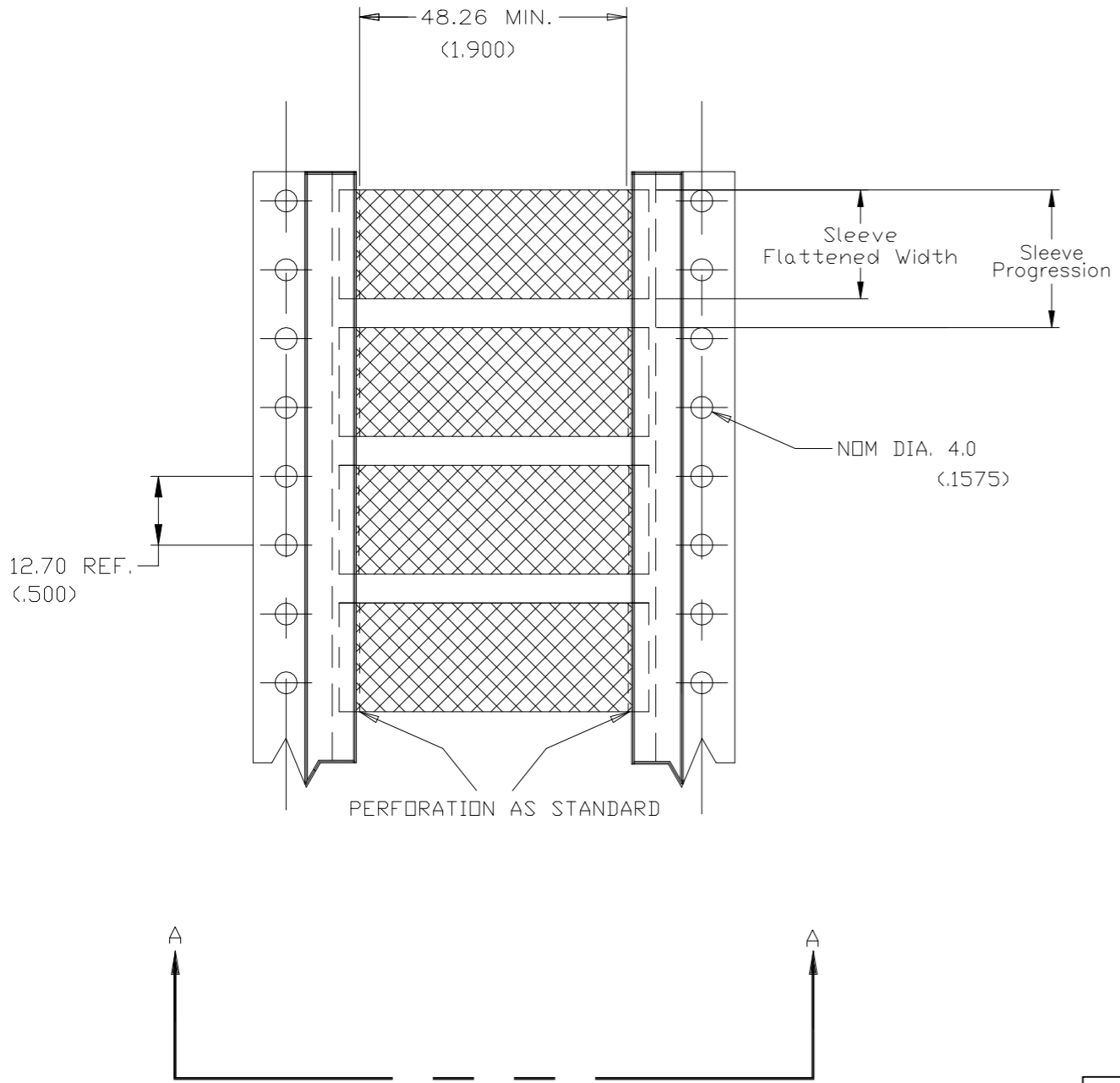


P	LTR	DESCRIPTION	DATE	DWN	APVD
J1		UPDATE FLAT WIDTH ECR-21-106386	05JUL2021	AFK	LS

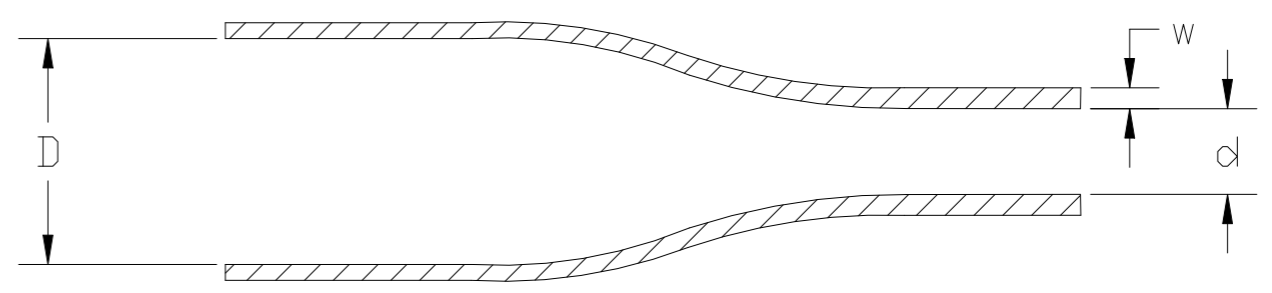


SECTION A - A



Product Size	2.4	3.2	4.8	6.4	9.5	12	18	25	38
Minimum Sleeve Flattened Width	4.45 (.175)	5.84 (.230)	8.00 (.315)	10.67 (.420)	15.49 (.610)	20.45 (.805)	30.48 (1.200)	40.39 (1.590)	60.33 (2.375)
Nominal Sleeve Progression	12.70 (.500)	12.70 (.500)	12.70 (.500)	16.94 (.667)	25.40 (1.000)	29.64 (1.167)	42.34 (1.667)	50.80 (2.00)	71.96 (2.83)
"D" Minimum Supplied I.D.	2.39 (.094)	3.18 (.125)	4.75 (.187)	6.40 (.250)	9.53 (.375)	12.70 (.500)	19.05 (.750)	25.40 (1.00)	38.10 (1.50)
"d" Maximum Recovered I.D.	0.79 (.031)	1.07 (.042)	1.57 (.062)	2.11 (.083)	3.17 (.125)	4.22 (.166)	6.35 (.250)	8.46 (.333)	19.05 (.750)
"w" Recovered wall ±0.08 (.003)	0.51 (.023)	0.51 (.023)	0.58 (.023)	0.58 (.023)	0.61 (.024)	0.61 (.024)	0.61 (.024)	0.64 (.025)	0.64 (.025)

DIMENSIONS IN mm (inches)



THIS DRAWING IS A CONTROLLED DOCUMENT.		DWN AFK CHK -	08JAN2020	TE Connectivity	
DIMENSIONS: mm		TOLERANCES UNLESS OTHERWISE SPECIFIED:			
		0 PLC ± - 1 PLC ± - 2 PLC ± - 3 PLC ± - 4 PLC ± - ANGLES ± -		PRODUCT SPEC RW-2519	RESTRICTED TO -
MATERIAL CROSSLINKED POLYOLIFIN		FINISH -		APPLICATION SPEC 411-121008	SIZE A3
				WEIGHT VARIOUS	CAGE CODE 0198G
				DRAWING NO C-MCD160000	
				SCALE NTS	
				SHEET 1 OF 1	
				REV J1	

X-ON Electronics

Largest Supplier of Electrical and Electronic Components

Click to view similar products for [Heat Shrink Tubing and Sleeves](#) category:

Click to view products by [TE Connectivity](#) manufacturer:

Other Similar products are found below :

[5685710001](#) [CR9960-000](#) [5734012004](#) [607381P039](#) [6284592002](#) [CX4711-000](#) [D-306-38](#) [D36200-000](#) [770-010Y106W1](#) [770-018S103](#) [770-018S202W1](#) [770-018S205W1](#) [770-020S705](#) [MFP-3/64"-Clear](#) [790-3012](#) [MHHT-4-15K2-G-104](#) [8003012003](#) [MIL-LT-1-1/2-4-SP](#) [MIL-LT-1-1/2-9-STK](#) [MIL-LT-1/2-2-STK](#) [MIL-LT-3-0-SP](#) [MIL-LT-3/32-0-SP](#) [MIL-LT-3/32-6-SP](#) [MIL-LT-3/4-4-STK](#) [MIL-LT-3/4-6-SP](#) [8159270001](#) [839602-000](#) [8423-6](#) [FP301-116-48"-Clear](#) [FP301-12-6"-Clear](#) [FP301-1/4-48"-White-Hdr](#) [FP301-18-48"-Black-Hdr](#) [FP301-1/8-6"-Black](#) [FP301-18-6"-Black-Bulk](#) [FP301-316-48"-Blue-Hdr](#) [912229N002](#) [R280637030](#) [HDCW-5515-1000](#) [HDT-0300-48A-BLACK](#) [HDT-0400-48A-Black](#) [HDT-0800-48A-RED](#) [HDT1100-48A-BLK](#) [HDT1500-48A-BLK](#) [HDT-2000-48A-Black](#) [AE-900](#) [DWP-125-0.450-4-55MM-CS879](#) [156082-000](#) [MT5500-3/8-X-SP](#) [MW-12-48"-Black](#) [EPS200-1/4-48"-Black](#)