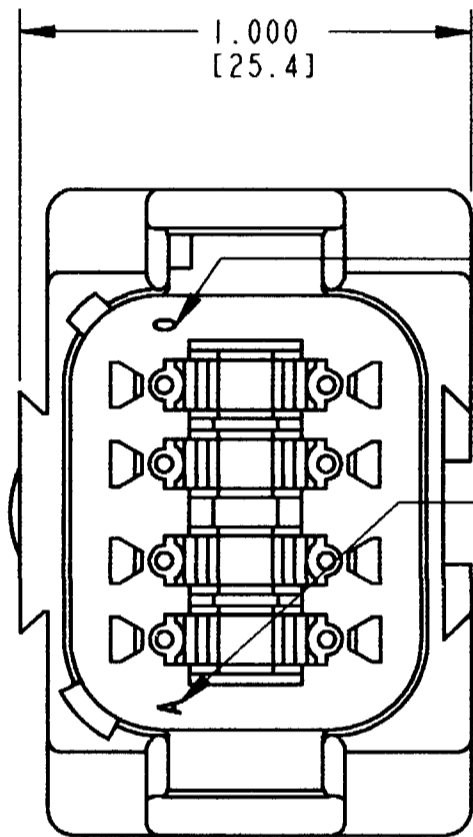


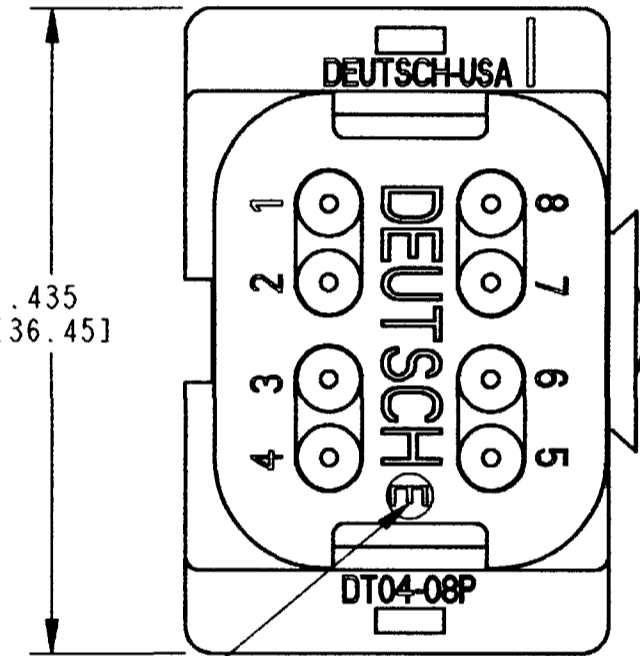
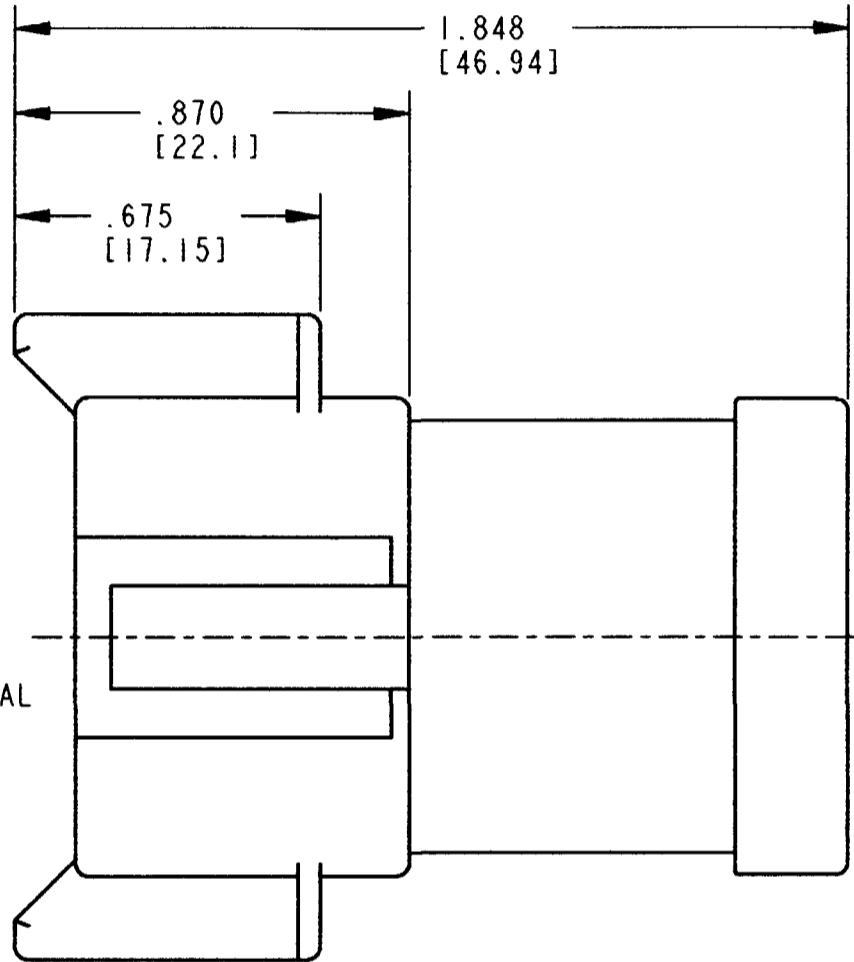
REV
NC DT04-08P*-CE01

REVISIONS			
SYM	DESCRIPTION	DATE	APPROVED
NC	REDRAWN / REPLACES PREVIOUS		
	RELEASE PER E.O. P19053	10-14-05	RBR



DATE CODE: YEAR IS REPRESENTED BY LAST NUMERICAL DIGITS
EX: 0= 2000

DATE CODE: MONTH IS REPRESENTED BY SEQUENTIAL ALPHABETICAL CHARACTERS.
EX: A= JANUARY



-E- DESIGNATES REDUCED WIRE DIAMETER.

CONTACT SIZE	MIN. INSUL O.D.	MAX. INSUL O.D.	WIRE RANGE. ³ [mm ²] REF. ONLY
16	.053 [1.35]	.120 [3.05]	14-20 AWG [2.0-0.5]

5. MATERIAL: SHELL: PLASTIC; SEAL: RUBBER
4. THIS RECEPTACLE MATES WITH DT06-08S*-**** PLUG (* = A,B,C,D KEYS; **** = ALL MODIFICATION). CONSULT FACTORY FOR MODIFICATIONS.
- ³ FOR CONTACTS AND WIRE PERFORMANCE AND APPLICATION CHARACTERISTICS SEE ENVELOPE DRAWING 0425-015-0000 AND 0425-017-0000.
2. DIMENSIONS ARE ±.025 [0.63] UNLESS OTHERWISE SPECIFIED.
1. ALL DIMENSIONS ARE IN INCHES [MILLIMETERS].
- NOTES:

SIGNATURE & DATE	
DR	A. MALAGON 19SEP05
CHK	<i>[Signature]</i> 10/12/05
PE	<i>[Signature]</i> 10/12/05
APPD	<i>[Signature]</i> 10-12-05
SCALE	NONE
WT	

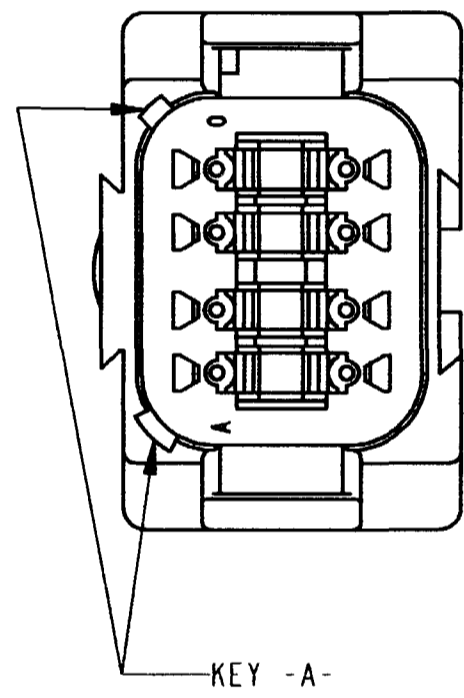
8 WAY RECEPTACLE
W/ REDUCED DIA. WIRE
AND END CAP
-CE01 MOD.
DT SERIES

ENVELOPE

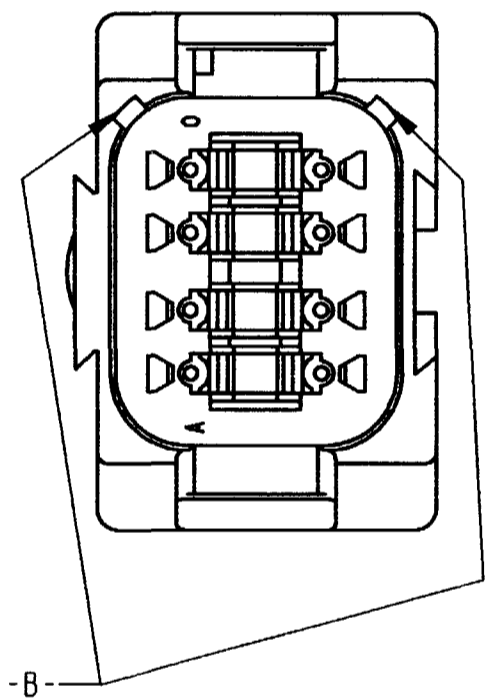
CP	MATL. CODE
The Deutsch Company DEUTSCH I.P.D. 3850 INDUSTRIAL AVE. HEMET, CALIF. 92545	
B	DT04-08P*-CE01
DWG SIZE	CODE 11139 SHEET 1 OF 2

REV		REVISIONS			
NC	DT04-08P*-CE01	SYM	DESCRIPTION	DATE	APPROVED
		NC	REDRAWN / REPLACES PREVIOUS		
			RELEASE PER E.O. P19053	10-14-05	ADR

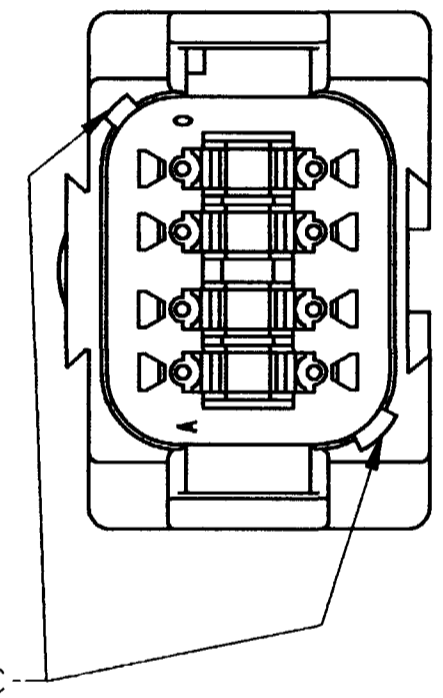
PART NO.
DT04-08PA-CE01
KEY ARRANGMENT -A-
COLOR: GRAY



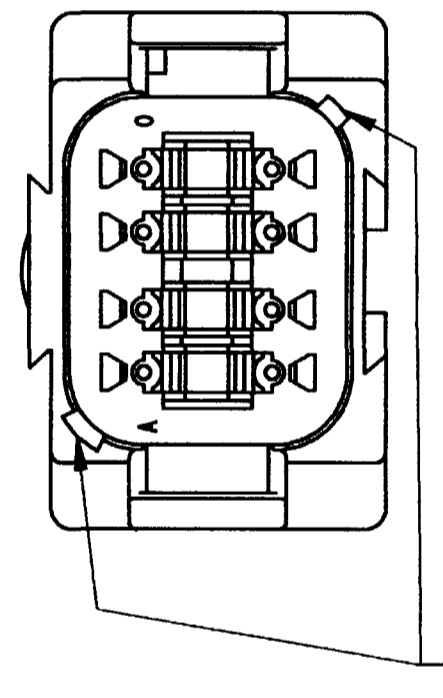
PART NO.
DT04-08PB-CE01
KEY ARRANGMENT -B-
COLOR: BLACK



PART NO.
DT04-08PC-CE01
KEY ARRANGMENT -C-
COLOR: GREEN



PART NO.
DT04-08PD-CE01
KEY ARRANGMENT -D-
COLOR: BROWN



NOTES:

SIGNATURE & DATE		8 WAY RECEPTACLE W/ REDUCED DIA. WIRE AND END CAP -CE01 MOD. DT SERIES	CP	MATL. CODE
DR	A. MALAGON 19SEP05		The Deutch Company DEUTSCH I.P.D. 3850 INDUSTRIAL AVE. HEMET, CALIF. 92545	
CHK	<i>Janil Lopez 10/12/05</i>		B DT04-08P*-CE01	
PE	<i>Joseph Johnson 10/14/05</i>			
APPD	<i>Blund 10-12-05</i>	ENVELOPE	DWG SIZE	CODE 11139
SCALE	NONE	WT	SHEET 2 OF 2	

X-ON Electronics

Largest Supplier of Electrical and Electronic Components

Click to view similar products for [Automotive Connectors](#) category:

Click to view products by [TE Connectivity](#) manufacturer:

Other Similar products are found below :

[003-018-000](#) [60403001](#) [60993906-B](#) [M902-2131](#) [M902-2161](#) [72.330.1035.1](#) [73.353.4028.0](#) [F119300-B](#) [F166900](#) [F258300-B](#) [F358300-B](#)
[F407400](#) [F444110](#) [F487000](#) [F509500B-B](#) [827153-1](#) [8N1515-32-24P](#) [9-1326729-8](#) [925474-1](#) [928905-1](#) [964562-4](#) [968782-1](#) [GT17SA-8DS-](#)
[HU](#) [98891-1012](#) [98947-1016](#) [12004147](#) [12004475-L](#) [12010290](#) [12010309-B](#) [12015454](#) [12020219-B](#) [12020308](#) [12041318-B](#) [12052225-L](#)
[12052466](#) [12059125](#) [12064869](#) [12004327-B](#) [12010503-B](#) [12015308](#) [12015384](#) [12015909](#) [1-21030-1](#) [12041254](#) [12041318](#) [12047946-B](#)
[12047957](#) [12047957-L](#) [12059473](#) [12066261](#)