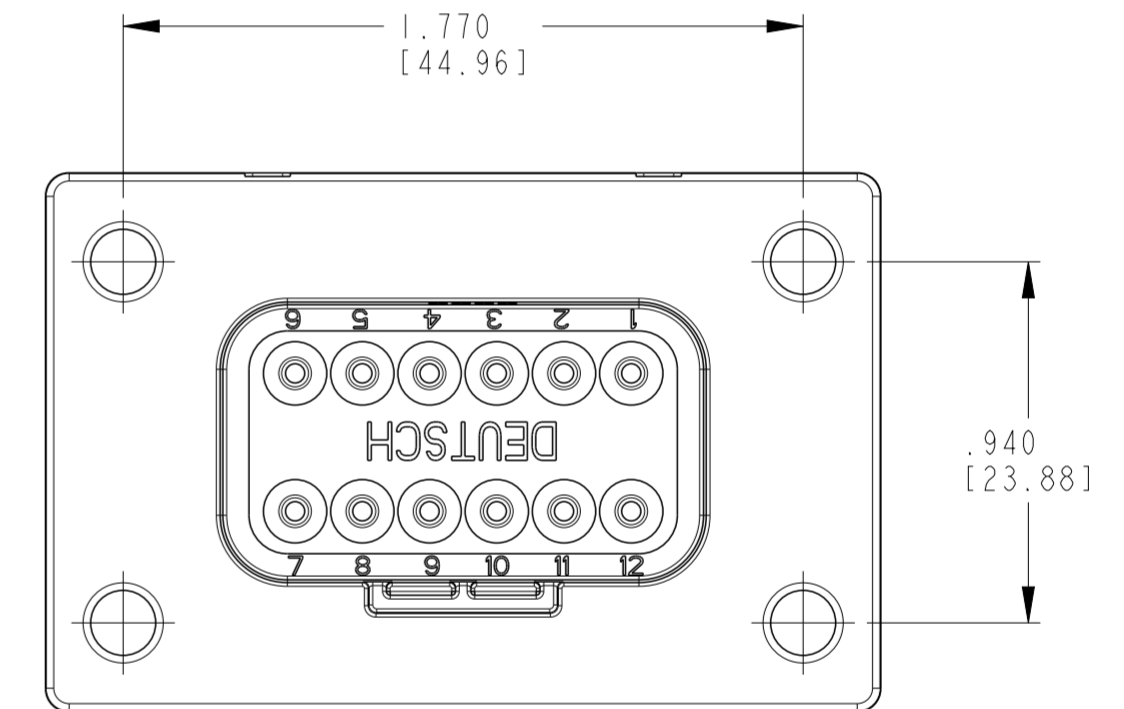
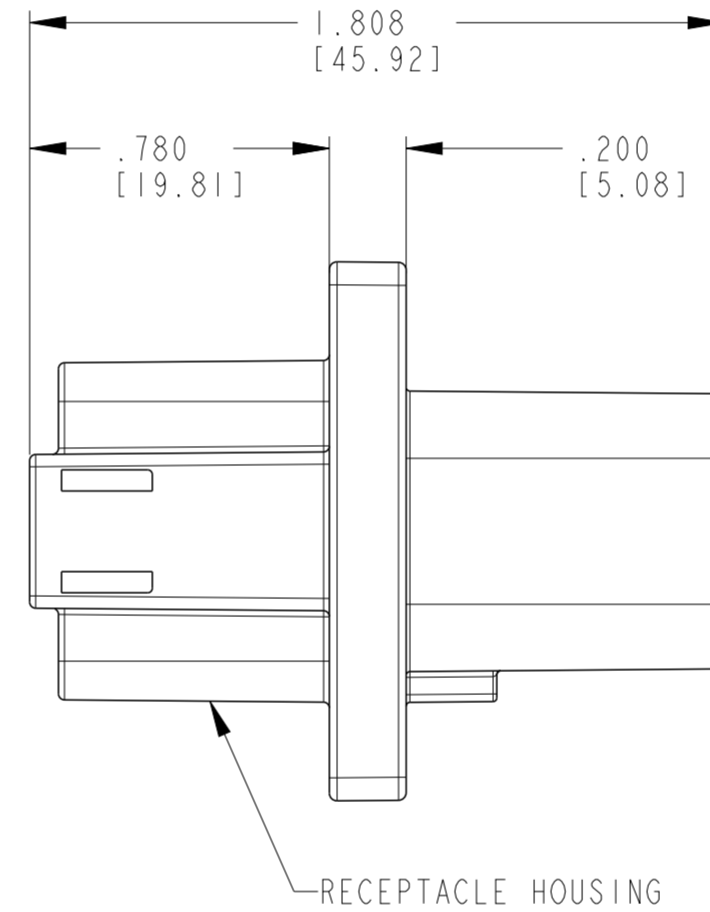
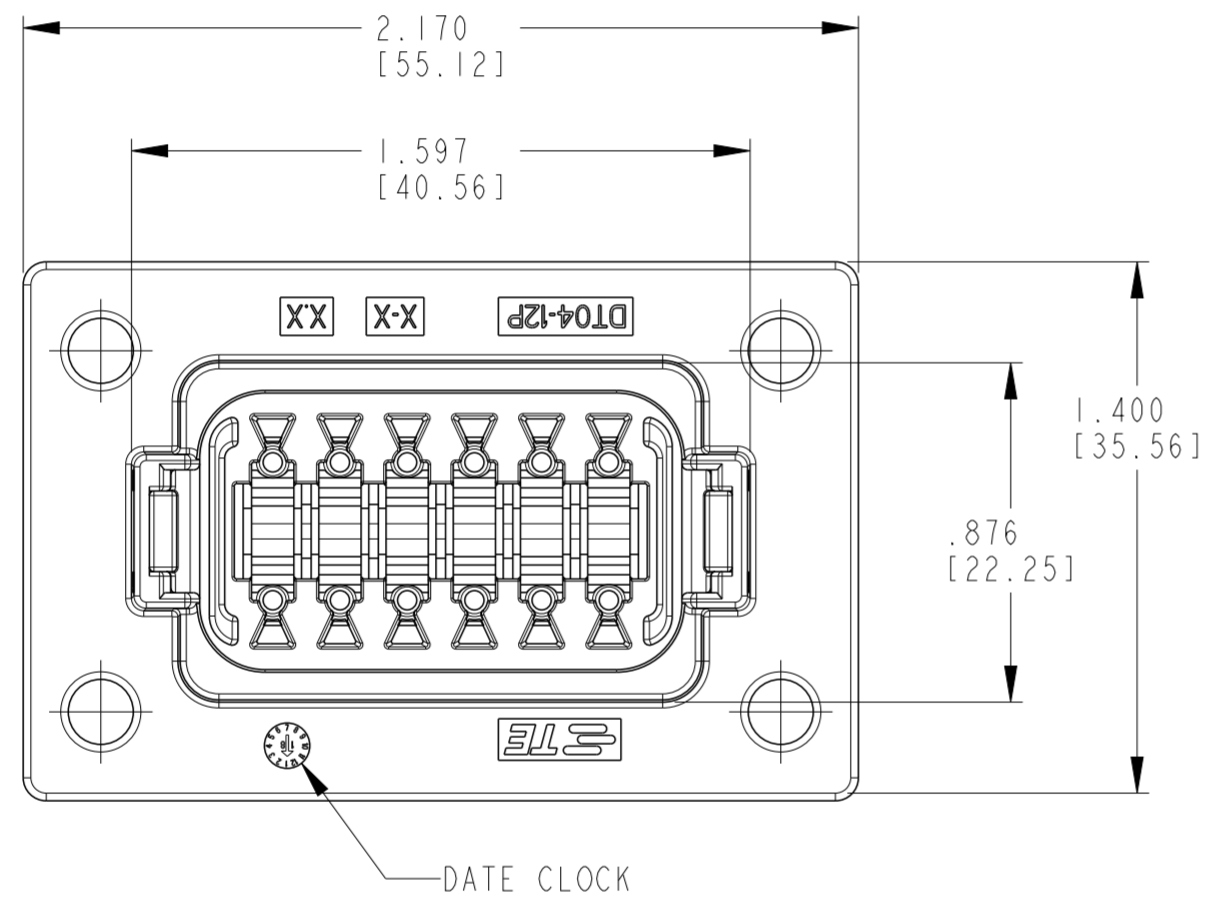


3-DIMENSIONAL VIEW

REVISIONS					
P	LTR	DESCRIPTION	DATE	DWN	APVD
	NC	REDRAWN/REPLACES PREVIOUS	-	-	-
		RELEASE PER E.O. P19542	12JUN2007	-	RDR
	A	REVISED PER E.O. P19542	18MAY2010	-	RDR
	D	REVISED PER PCN E-20-009825	09JUL2020	PMV	IG



7. SECONDARY WEDGE LOCK SOLD SEPARATELY: W12P-XXXX.
(XXXX = ALL MODIFICATIONS)

6. RECOMMENDED SCREW: 6-32 [M4].
RECOMMENDED TORQUE: 20-25 IN-LB [2.26-2.82 Nm].

5. MATERIAL - HOUSING: PA66 GF15
GROMMET: VMO (ORANGE RED)

4. THIS RECEPTACLE MATES WITH DT06-12SX-XXXX PLUG.
(X = KEY ARR. A,B,C,D; XXXX = ALL MODIFICATIONS)
CONSULT FACTORY FOR MODIFICATIONS.

3. FOR CONTACT AND WIRE PERFORMANCE AND APPLICATION CHARACTERISTICS, SEE ENVELOPE DRAWING 0425-015-0000.

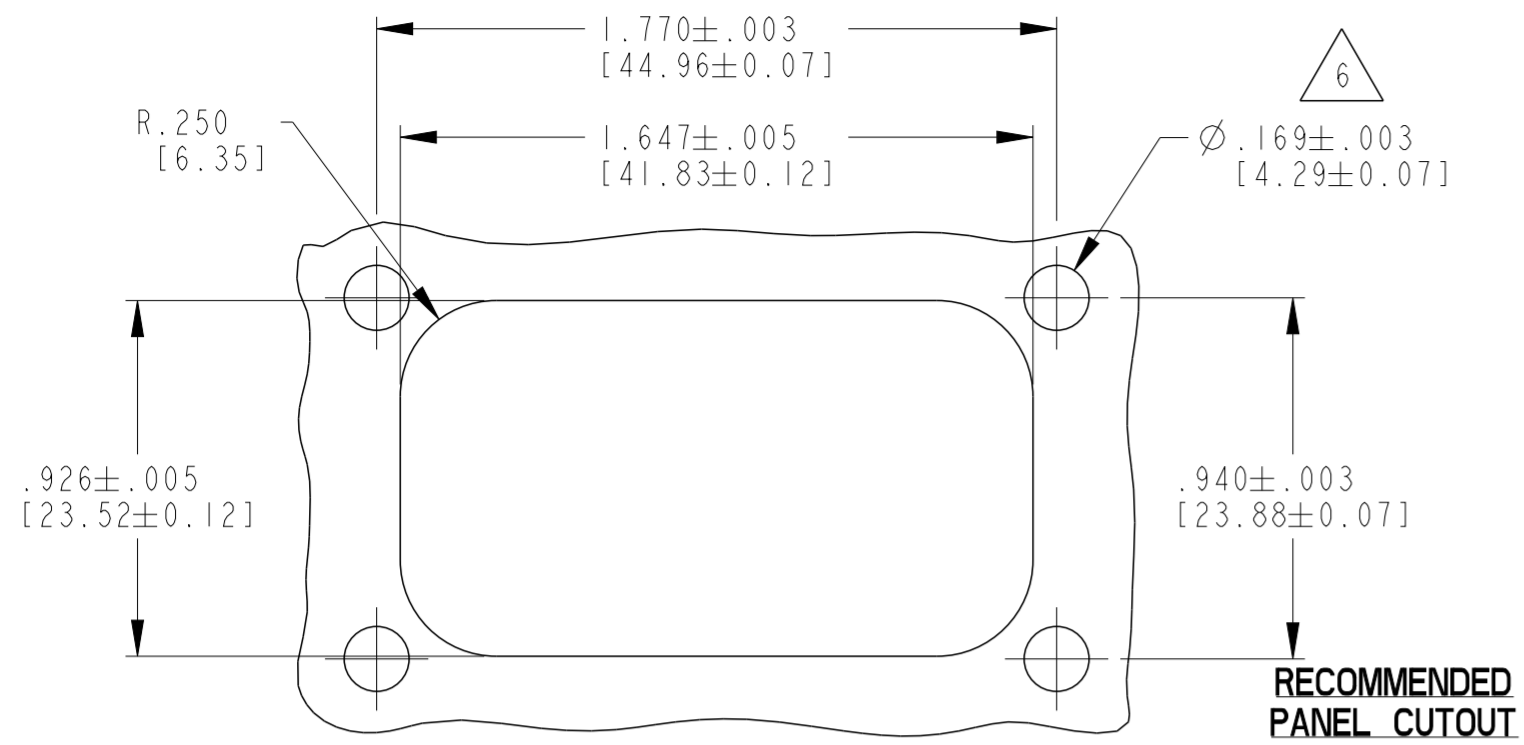
2. DELETED

NOTES: 1. DELETED

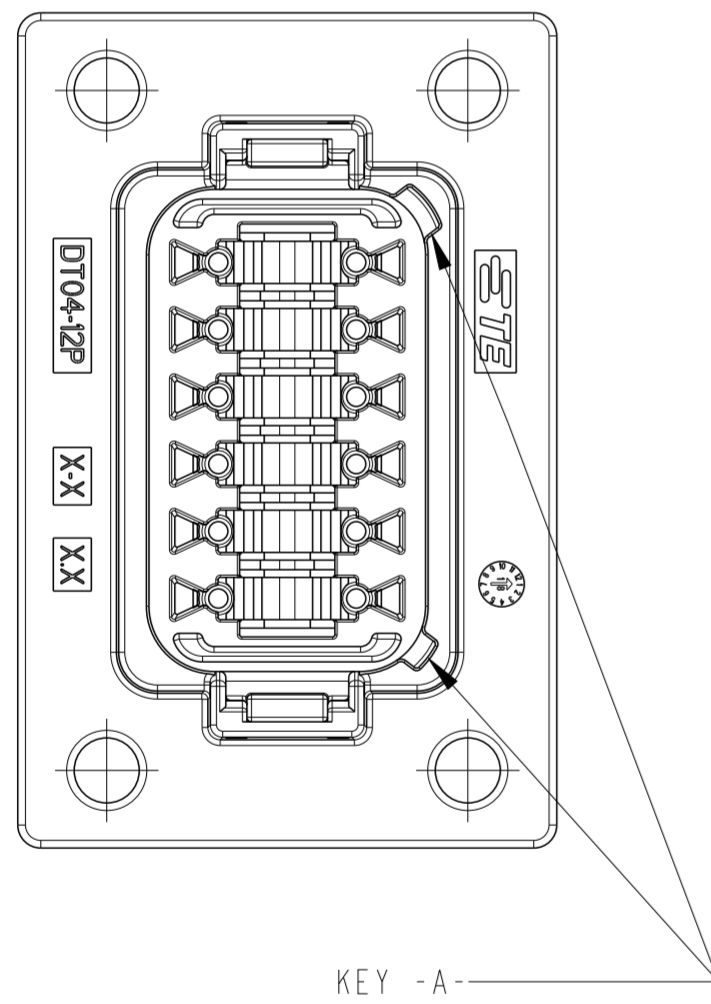
CONTACT SIZE	MIN. INSUL O.D.	MAX. INSUL O.D.	WIRE RANGE [mm ²] REF ONLY
16	.088 [2.24]	.145 [3.68]	14-20 AWG [2.0-0.5]

THIS DRAWING IS A CONTROLLED DOCUMENT.		DWN A MALAGON 16MAY2007	TE Connectivity	
DIMENSIONS: INCHES[MM]		CHK R MCCORD 14MAY2010		
TOLERANCES UNLESS OTHERWISE SPECIFIED:		APVD S BEARD 04MAY2010	NAME 12 WAY RECEPTACLE W/ FLANGE-L012 MOD DT SERIES	
0 PLC ±		PRODUCT SPEC 108-151009	SIZE A2	
1 PLC ±		APPLICATION SPEC 114-151009	CAGE CODE 00779	DRAWING NO DT04-12PX-L012
2 PLC ±		WEIGHT -	RESTRICTED TO -	REV D
3 PLC ±.025 [0.64]		CUSTOMER DRAWING		
4 PLC ±		SCALE 2:1 SHEET 1 OF 2		
ANGLES ±0° 30' 0"				
FINISH -				

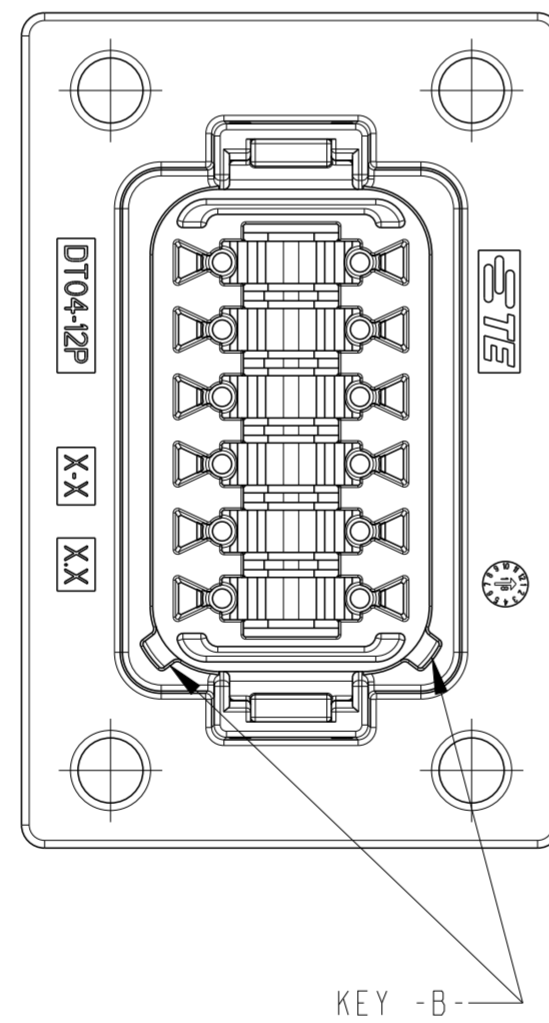
P	LTR	DESCRIPTION	DATE	DWN	APVD
-	-	SEE SHEET 1	-	-	-



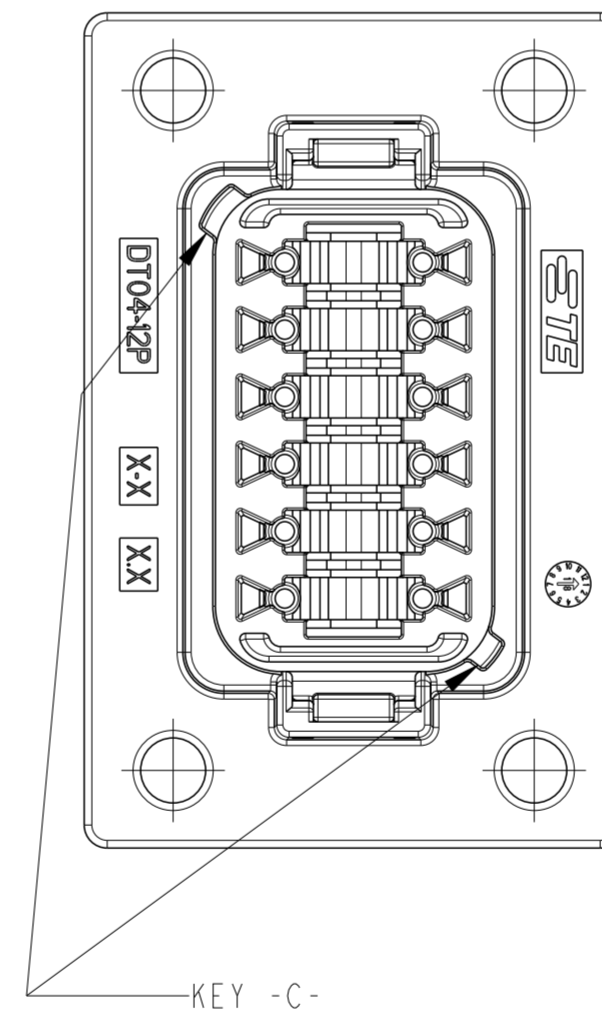
DT04-12PA-L012
KEY -A-
COLOR: GREY



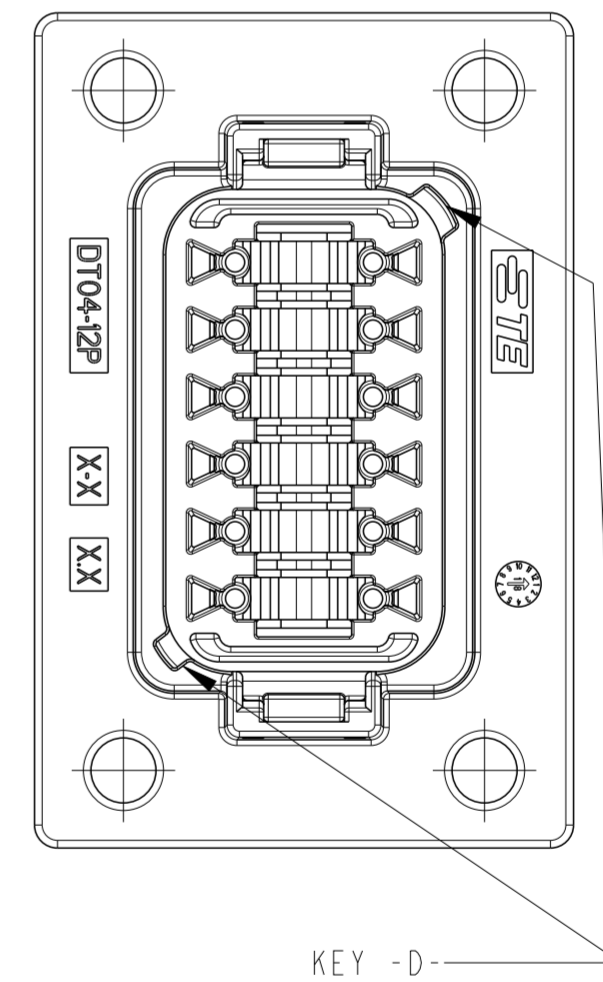
DT04-12PB-L012
KEY -B-
COLOR: BLACK



DT04-12PC-L012
KEY -C-
COLOR: GREEN



DT04-12PD-L012
KEY -D-
COLOR: BROWN



THIS DRAWING IS A CONTROLLED DOCUMENT.		DWN A MALAGON 16MAY2007	TE Connectivity																																				
DIMENSIONS: INCHES[MM]		CHK R MCCORD 14MAY2010																																					
TOLERANCES UNLESS OTHERWISE SPECIFIED:		APVD S BEARD 04MAY2010	NAME 12 WAY RECEPTACLE W/ FLANGE-L012 MOD DT SERIES																																				
<table border="0"> <tr> <td>0 PLC</td> <td>±</td> <td>PRODUCT SPEC</td> <td>108-151009</td> </tr> <tr> <td>1 PLC</td> <td>±</td> <td>APPLICATION SPEC</td> <td>114-151009</td> </tr> <tr> <td>2 PLC</td> <td>±</td> <td>WEIGHT</td> <td>-</td> </tr> <tr> <td>3 PLC</td> <td>±.025 [0.64]</td> <td>CUSTOMER DRAWING</td> <td>SCALE 2:1</td> </tr> <tr> <td>4 PLC</td> <td>±</td> <td></td> <td>SHEET 2 OF 2</td> </tr> <tr> <td>ANGLES</td> <td>±0° 30' 0"</td> <td></td> <td>REV D</td> </tr> <tr> <td>FINISH</td> <td>-</td> <td></td> <td></td> </tr> </table>		0 PLC	±	PRODUCT SPEC	108-151009	1 PLC	±	APPLICATION SPEC	114-151009	2 PLC	±	WEIGHT	-	3 PLC	±.025 [0.64]	CUSTOMER DRAWING	SCALE 2:1	4 PLC	±		SHEET 2 OF 2	ANGLES	±0° 30' 0"		REV D	FINISH	-			<table border="0"> <tr> <td>SIZE</td> <td>CAGE CODE</td> <td>DRAWING NO</td> <td>RESTRICTED TO</td> </tr> <tr> <td>A2</td> <td>00779</td> <td>C-DT04-12PX-L012</td> <td>-</td> </tr> </table>		SIZE	CAGE CODE	DRAWING NO	RESTRICTED TO	A2	00779	C-DT04-12PX-L012	-
0 PLC	±	PRODUCT SPEC	108-151009																																				
1 PLC	±	APPLICATION SPEC	114-151009																																				
2 PLC	±	WEIGHT	-																																				
3 PLC	±.025 [0.64]	CUSTOMER DRAWING	SCALE 2:1																																				
4 PLC	±		SHEET 2 OF 2																																				
ANGLES	±0° 30' 0"		REV D																																				
FINISH	-																																						
SIZE	CAGE CODE	DRAWING NO	RESTRICTED TO																																				
A2	00779	C-DT04-12PX-L012	-																																				

X-ON Electronics

Largest Supplier of Electrical and Electronic Components

Click to view similar products for [Automotive Connectors](#) category:

Click to view products by [TE Connectivity](#) manufacturer:

Other Similar products are found below :

[003-018-000](#) [60403001](#) [60993906-B](#) [M902-2131](#) [M902-2161](#) [72.330.1035.1](#) [73.353.4028.0](#) [F119300-B](#) [F166900](#) [F258300-B](#) [F358300-B](#)
[F407400](#) [F444110](#) [F487000](#) [F509500B-B](#) [827153-1](#) [8N1515-32-24P](#) [9-1326729-8](#) [925474-1](#) [928905-1](#) [964562-4](#) [968782-1](#) [GT17SA-8DS-](#)
[HU](#) [98891-1012](#) [98947-1016](#) [12004147](#) [12004475-L](#) [12010290](#) [12010309-B](#) [12015454](#) [12020219-B](#) [12020308](#) [12041318-B](#) [12052225-L](#)
[12052466](#) [12059125](#) [12064869](#) [12004327-B](#) [12010503-B](#) [12015308](#) [12015384](#) [12015909](#) [1-21030-1](#) [12041254](#) [12041318](#) [12047946-B](#)
[12047957](#) [12047957-L](#) [12059473](#) [12066261](#)