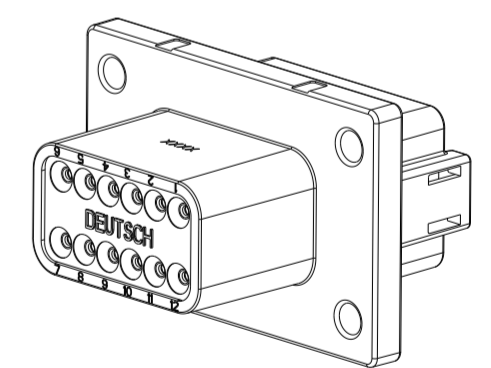
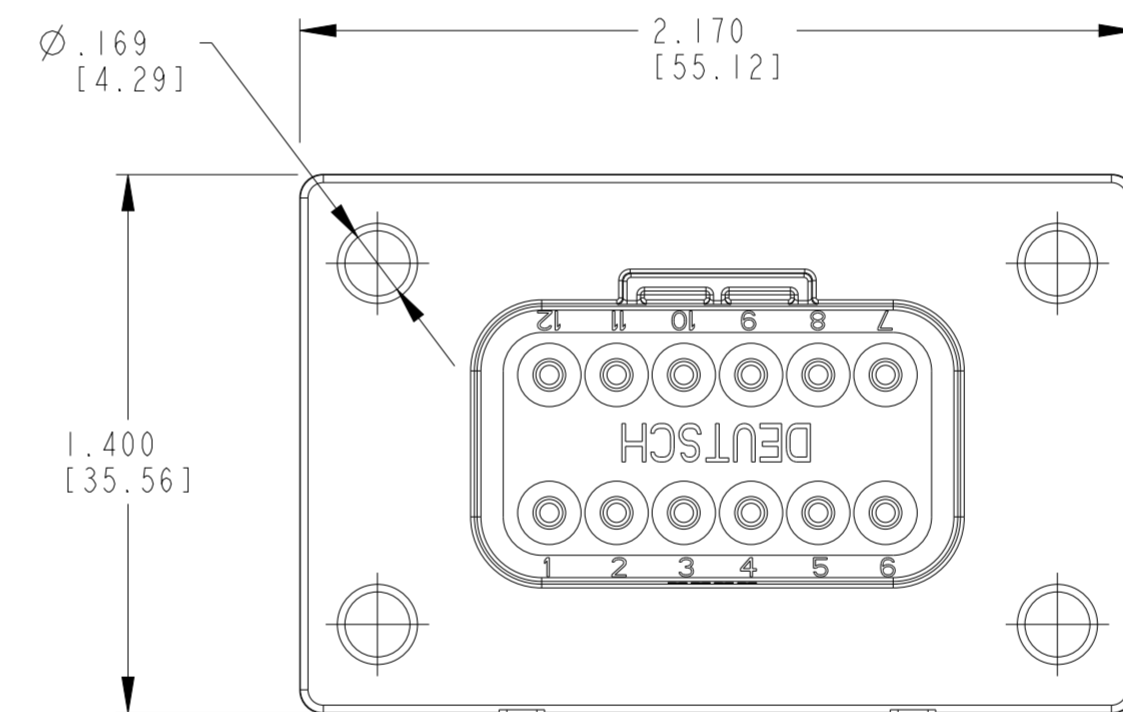
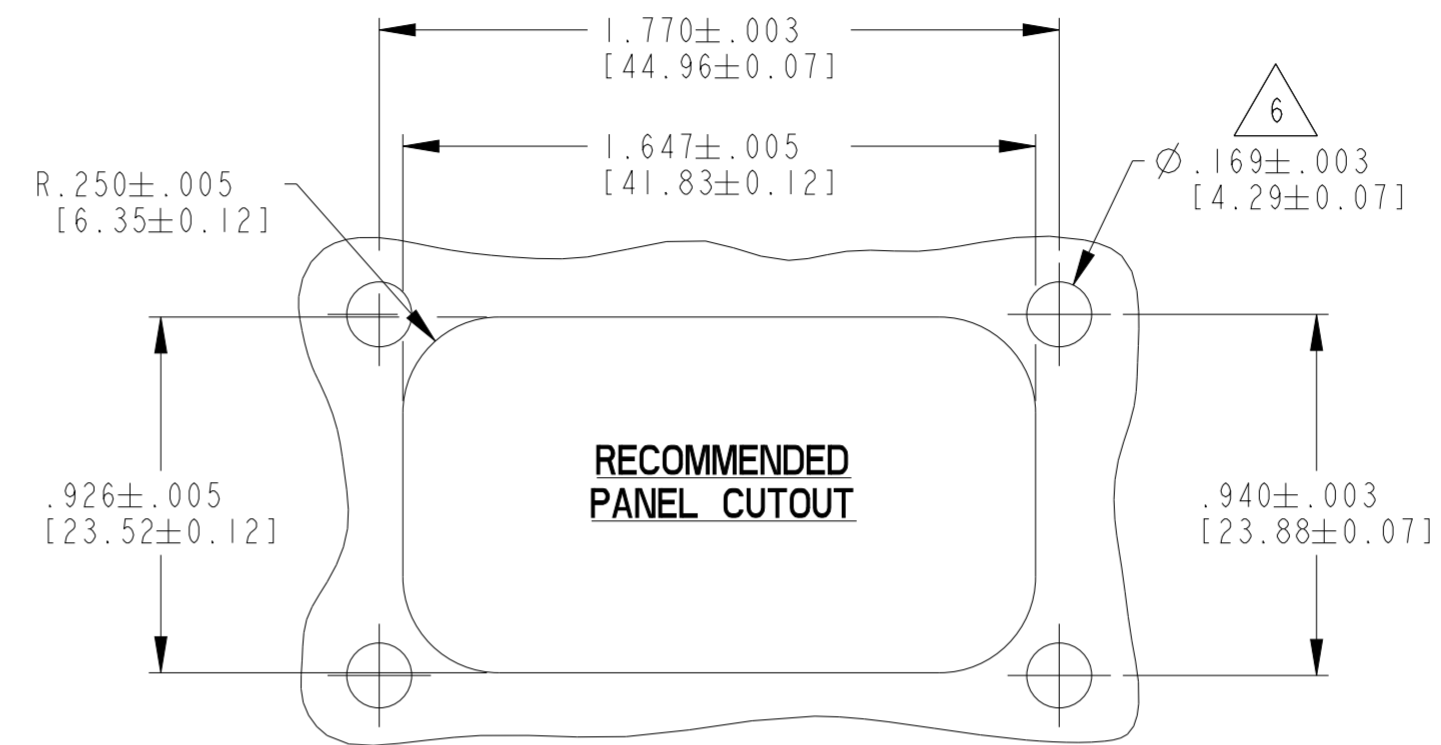
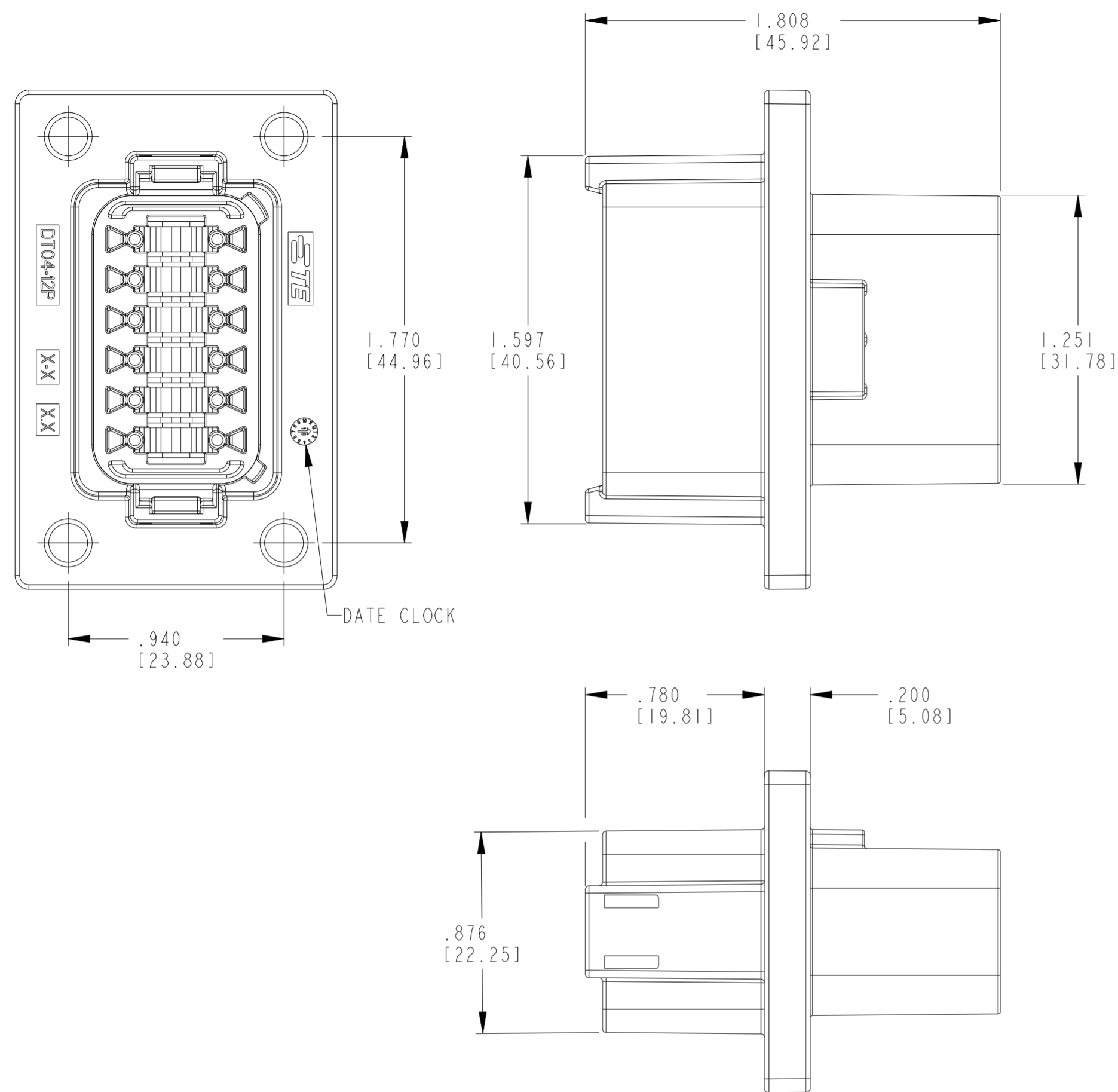


| REVISIONS |     |                             |           |     |      |
|-----------|-----|-----------------------------|-----------|-----|------|
| P         | LTR | DESCRIPTION                 | DATE      | DWN | APVD |
| NC        |     | NEW RELEASE PER E.O. P16085 | 06MAY1999 | -   | RDR  |
| A         |     | REVISED PER E.O. P20438     | 18MAY2010 | -   | RDR  |
| B         |     | REVISED PER PCN E-20-009825 | 09JUL2020 | PMV | IG   |



SCALE 1:1  
3-DIMENSIONAL VIEW

7. SECONDARY WEDGE LOCK SOLD SEPARATELY: W12P-XXXX.  
(XXXX = ALL MODIFICATIONS)

6. RECOMMENDED SCREW: 6-32 [M4].  
RECOMMENDED TORQUE: 20-25 IN-LB [2.26-2.82 Nm].

5. MATERIAL - HOUSING: PA66 GF15  
GROMMET: VMQ (ORANGE RED)

4. THIS RECEPTACLE MATES WITH DT06-12SA-XXXX PLUG.  
(A KEY; XXXX = ALL MODIFICATIONS)  
CONSULT FACTORY FOR MODIFICATIONS.

3. FOR CONTACT AND WIRE PERFORMANCE AND APPLICATION CHARACTERISTICS, SEE ENVELOPE DRAWING 0425-015-0000.

2. DELETED

NOTES : 1. DELETED

| CONTACT SIZE | MIN. INSUL. O.D. | MAX. INSUL. O.D. | WIRE RANGE $\Delta$ [mm <sup>2</sup> ] |
|--------------|------------------|------------------|--|
| 16           | .088 [2.23]      | .145 [3.68]      | 14-20 AWG [2.0-0.5]                    |

|  |                    |                             |                                 |                 |
|--|--------------------|-----------------------------|---------------------------------|-----------------|
| THIS DRAWING IS A CONTROLLED DOCUMENT. |                    | DWN S THELS 29APR1999       | TE Connectivity                 |                 |
| DIMENSIONS: INCHES [MM]                |                    | CHK R MCCORD 14MAY2010      |                                 |                 |
| TOLERANCES UNLESS OTHERWISE SPECIFIED: |                    | APVD S BEARD 04MAY2010      | NAME 12 WAY RECEPTACLE LE14 MOD |                 |
| 0 PLC ±                                | 1 PLC ±            | PRODUCT SPEC 108-151009     | COLOR: BLACK -A- KEY ARR.       |                 |
| 2 PLC ±                                | 3 PLC ±.025 [0.64] | APPLICATION SPEC 114-151009 | DT SERIES                       |                 |
| 4 PLC ±                                | ANGLES ±0°30'0"    | WEIGHT -                    | SIZE A2                         | CAGE CODE 00779 |
| MATERIAL 5                             | FINISH -           | CUSTOMER DRAWING            | DRAWING NO G-DT04-12PA-LE14     | RESTRICTED TO B |
|  |                    |                             | SCALE 2:1                       | SHEET 1 OF 1    |

## X-ON Electronics

Largest Supplier of Electrical and Electronic Components

*Click to view similar products for [Automotive Connectors](#) category:*

*Click to view products by [TE Connectivity](#) manufacturer:*

Other Similar products are found below :

[003-018-000](#) [60403001](#) [60993906-B](#) [M902-2131](#) [M902-2161](#) [M902-2344](#) [72.330.1035.1](#) [73.353.4028.0](#) [F119300-B](#) [F166900](#) [F258300-B](#)  
[F358300-B](#) [F407400](#) [F444110](#) [F487000](#) [F509500B-B](#) [827153-1](#) [8N1515-32-24P](#) [9-1326729-8](#) [925474-1](#) [928905-1](#) [964562-4](#) [968782-1](#)  
[GT17SA-8DS-HU](#) [98891-1012](#) [98947-1016](#) [12004147](#) [12004475-L](#) [12010290](#) [12010309-B](#) [12015454](#) [12020219-B](#) [12041318-B](#) [12052225-](#)  
[L](#) [12052466](#) [12064869](#) [12004327-B](#) [12015308](#) [12015384](#) [12015909](#) [1-21030-1](#) [12041254](#) [12041318](#) [12047946-B](#) [12047957](#) [12047957-L](#)  
[12059473](#) [12066261](#) [12110546](#) [12110546-B](#)