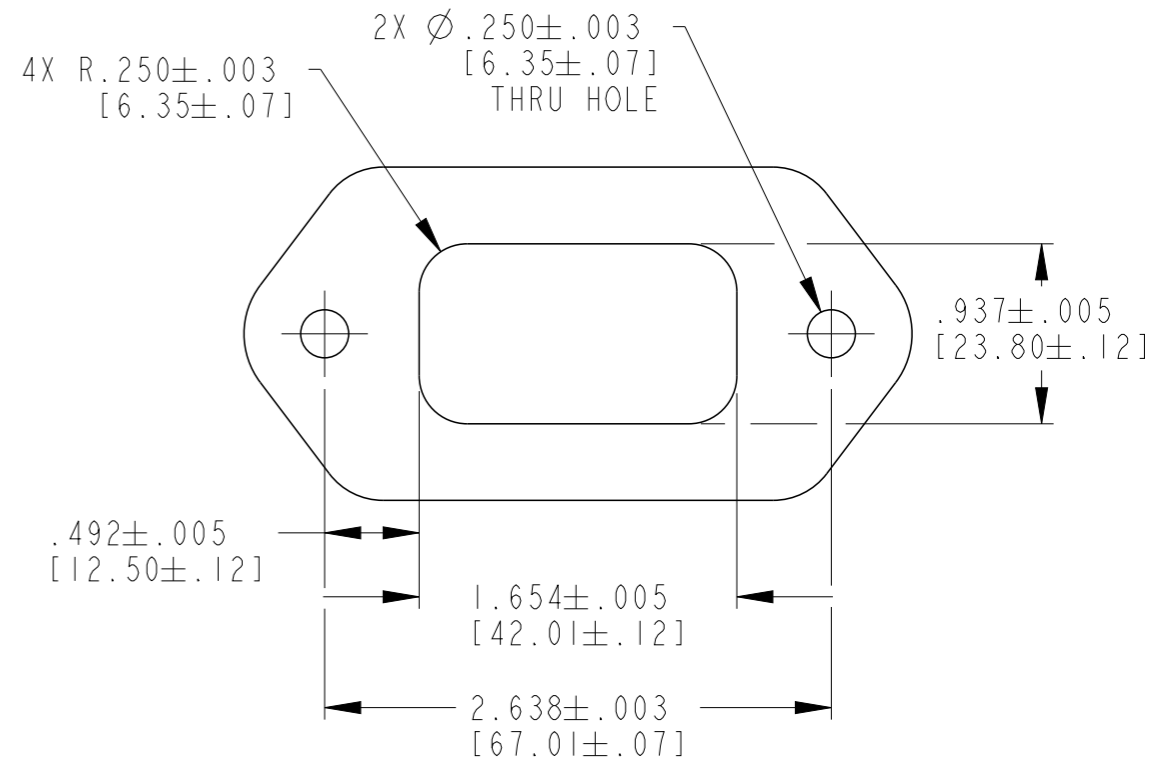
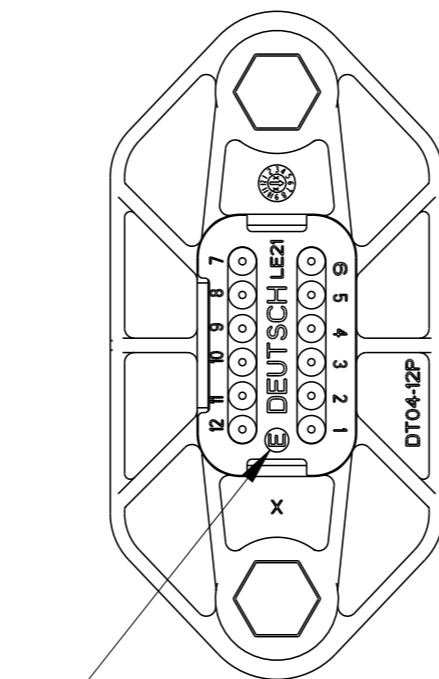
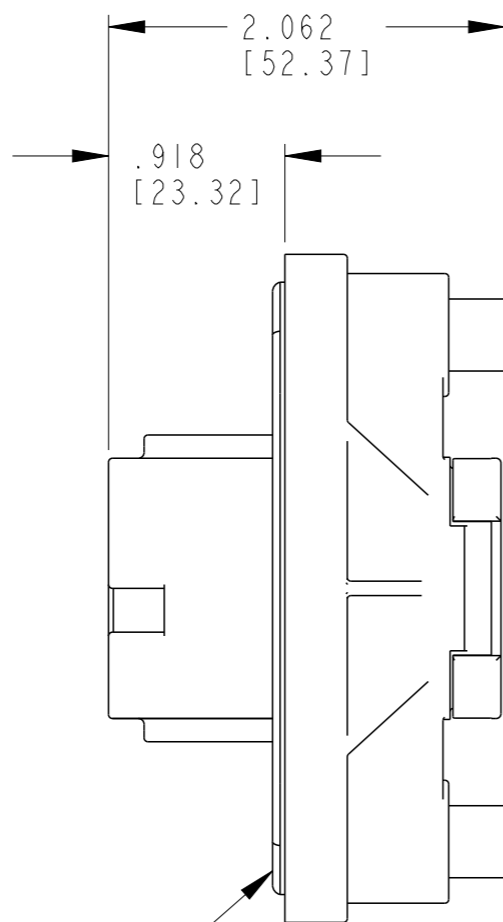
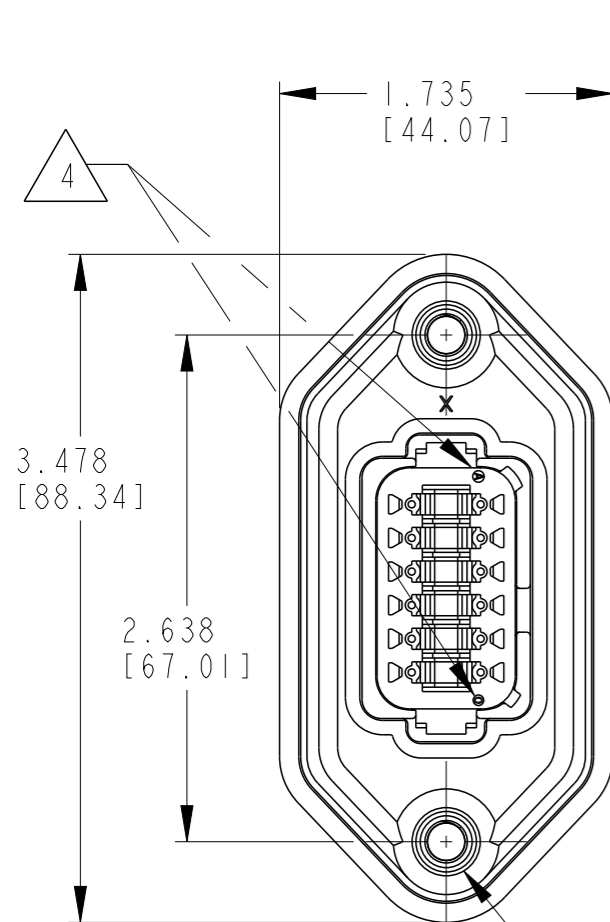


REVISIONS					
P	LTR	DESCRIPTION	DATE	DWN	APVD
	A1	REVISED PER PCN E-17-012564	28AUG2017	JA	DM
	B	REVISED PER PCN E-19-014633	13FEB2019	AK	NS



2X THREADED INSERT
 M6 X .500 DEEP
 RECOMMENDED TORQUE:
 62-88 IN-LB [7-10 N-m]

FLANGE SEAL IS INTENDED
 FOR NON-PRESSURIZED
 FLUID SPLASH ONLY

-E- SYMBOL DESIGNATES
 REDUCED DIAMETER WIRE SEAL

RECOMMENDED PANEL-CUTOUT

TE INTERNAL PN	DEUTSCH PN
DT04-12PA-LE21	DT04-12PA-LE21
DT04-12PB-LE21	DT04-12PB-LE21
DT04-12PC-LE21	DT04-12PC-LE21
DT04-12PD-LE21	DT04-12PD-LE21

CONTACT SIZE	MIN. INSUL. O.D.	MAX. INSUL. O.D.	WIRE RANGE [mm ²] REF ONLY
16	.053 [1.35]	.120 [3.05]	14-20 AWG [2.5-0.5]

4 DATE CODE: MONTH IS REPRESENTED BY SEQUENTIAL ALPHA CHARACTERS. EX: A = JANUARY, YEAR IS REPRESENTED BY LAST NUMERICAL DIGIT. EX: 0 = 2010

3 MATERIAL: HOUSING, CAP: PA66 GF15 (SEE SHEET 2 FOR COLOR)
 GROMMET, GASKET: VMQ (BURNT RED)
 INSERTS: STAINLESS STEEL

2. THIS RECEPTACLE MATES WITH DT06-12SX-XXXX PLUG.
 (X = KEY ARR; XXXX = ALL MODIFICATIONS)
 CONSULT FACTORY FOR MODIFICATIONS.

1 FOR CONTACTS AND WIRE PERFORMANCE AND APPLICATION CHARACTERISTICS, SEE ENVELOPE DRAWING 0425-015-0000.

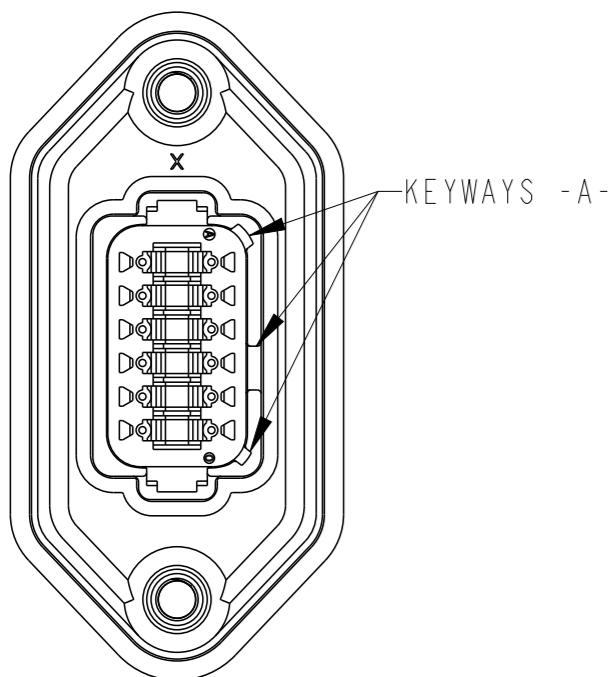
NOTES: UNLESS OTHERWISE SPECIFIED

THIS DRAWING IS A CONTROLLED DOCUMENT.		DWN R. MESSENGER 16OCT2008		
DIMENSIONS: in [mm]		CHK B. BYFORD 09FEB2012		
TOLERANCES UNLESS OTHERWISE SPECIFIED:		APVD S. BEARD 09FEB2012	NAME 12 WAY RECEPTACLE ENHANCED KEY FLANGE DT SEREIS	
0 PLC ±		PRODUCT SPEC 108-151009	SIZE A3	
1 PLC ±		APPLICATION SPEC 114-151009	CAGE CODE 4AFU8	
2 PLC ±		WEIGHT 76.48g	DRAWING NO. DT04-12PX-LE21	
3 PLC ±.025 [0.64]		CUSTOMER DRAWING	RESTRICTED TO -	
4 PLC ±		SCALE 1:2	SHEET 1 OF 2	
ANGLES ±			REV B	
FINISH ±0° 30' 0"				

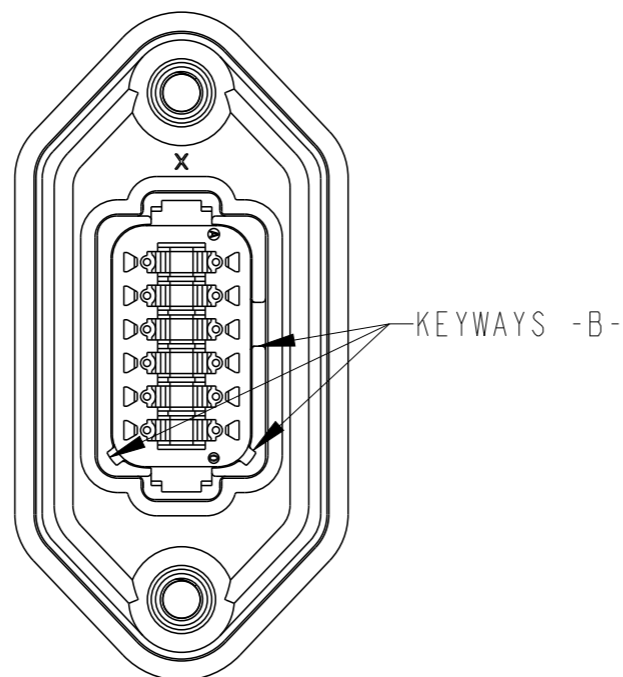
REVISIONS

P	LTR	DESCRIPTION	DATE	DWN	APVD
	-	SEE SHEET 1	-	-	-

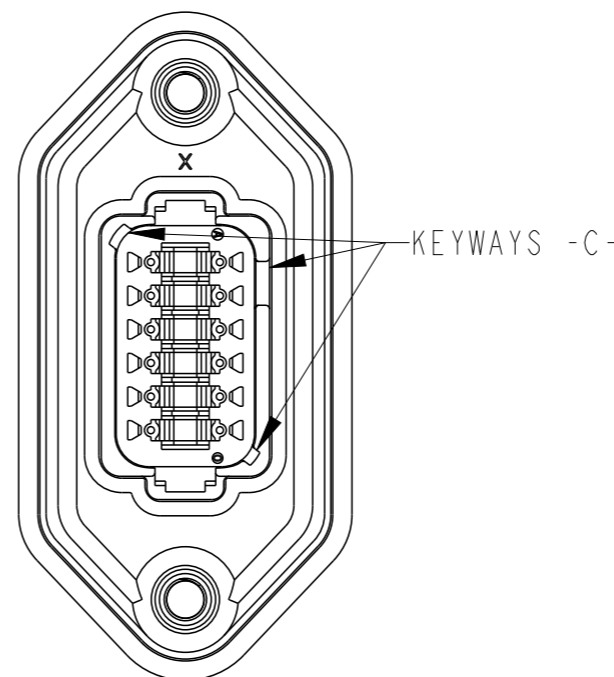
DT04-12PA-LE21
KEY ARR. -A-
COLOR: GRAY



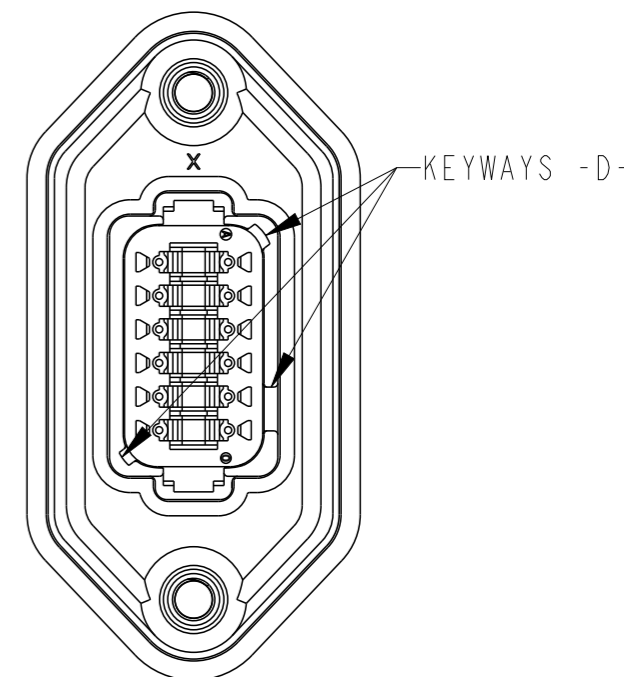
DT04-12PB-LE21
KEY ARR. -B-
COLOR: BLACK



DT04-12PC-LE21
KEY ARR. -C-
COLOR: GREEN

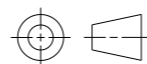


DT04-12PD-LE21
KEY ARR. -D-
COLOR: BROWN



THIS DRAWING IS A CONTROLLED DOCUMENT.

DIMENSIONS:
in [mm]



TOLERANCES UNLESS OTHERWISE SPECIFIED:

- 0 PLC ±
- 1 PLC ±
- 2 PLC ±
- 3 PLC ±.025 [0.64]
- 4 PLC ±
- ANGLES ±0° 30' 0"

FINISH

DWN R. MESSENGER 16OCT2008

CHK B. BYFORD 09FEB2012

APVD S. BEARD 09FEB2012

PRODUCT SPEC 108-151009

APPLICATION SPEC 0425-017-0000

WEIGHT 76.48g

CUSTOMER DRAWING



TE Connectivity

NAME
12 WAY RECEPTACLE
ENHANCED KEY FLANGE
DT SEREIS

SIZE CAGE CODE DRAWING NO RESTRICTED TO

A3 4AFU8 ©DT04-12PX-LE21 -

SCALE 1:2 SHEET 2 OF 2 REV B

X-ON Electronics

Largest Supplier of Electrical and Electronic Components

Click to view similar products for [Automotive Connectors](#) category:

Click to view products by [TE Connectivity](#) manufacturer:

Other Similar products are found below :

[003-018-000](#) [60403001](#) [60993906-B](#) [M902-2131](#) [M902-2161](#) [M902-2344](#) [72.330.1035.1](#) [73.353.4028.0](#) [F119300-B](#) [F166900](#) [F258300-B](#)
[F358300-B](#) [F407400](#) [F444110](#) [F487000](#) [F509500B-B](#) [827153-1](#) [8N1515-32-24P](#) [9-1326729-8](#) [925474-1](#) [928905-1](#) [964562-4](#) [968782-1](#)
[GT17SA-8DS-HU](#) [98891-1012](#) [98947-1016](#) [12004147](#) [12004475-L](#) [12010290](#) [12010309-B](#) [12015454](#) [12020219-B](#) [12041318-B](#) [12052225-](#)
[L](#) [12052466](#) [12064869](#) [12004327-B](#) [12015308](#) [12015384](#) [12015909](#) [1-21030-1](#) [12041254](#) [12041318](#) [12047946-B](#) [12047957](#) [12047957-L](#)
[12059473](#) [12066261](#) [12110546](#) [12110546-B](#)