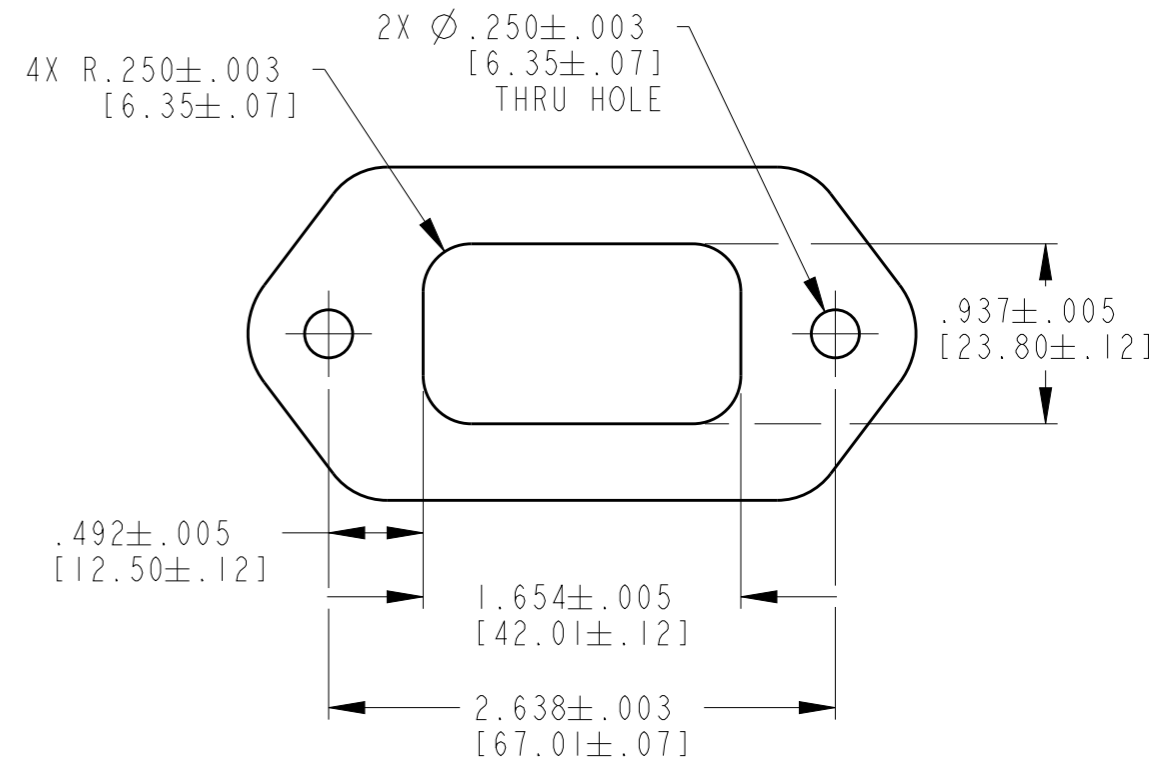
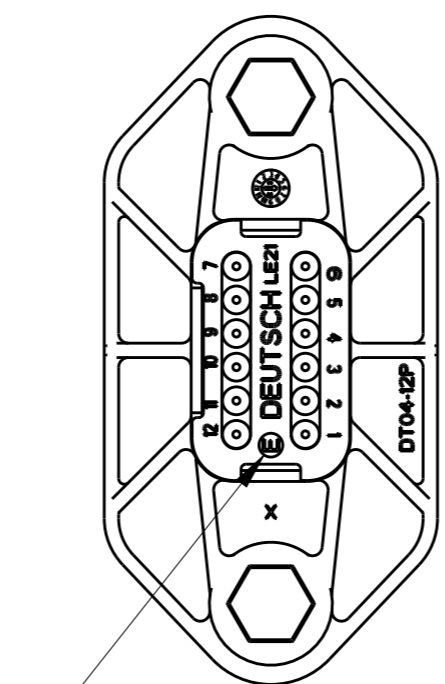
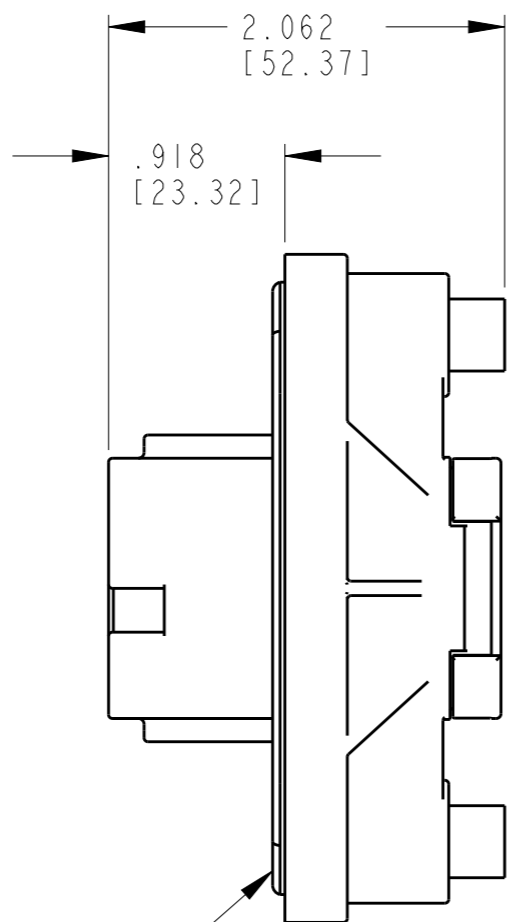
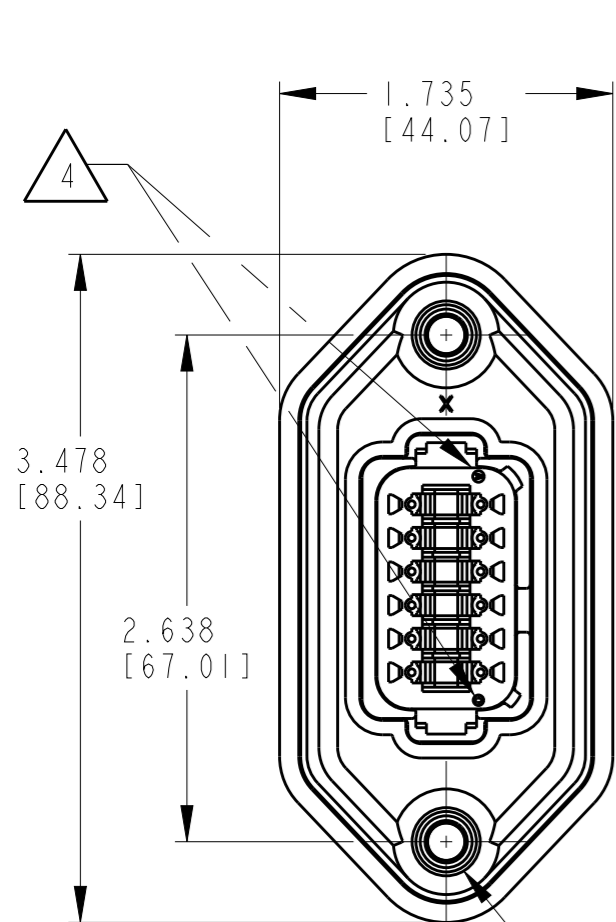


| REVISIONS |     |                             |           |     |      |
|-----------|-----|-----------------------------|-----------|-----|------|
| P         | LTR | DESCRIPTION                 | DATE      | DWN | APVD |
|           | A1  | REVISED PER PCN E-17-012564 | 28AUG2017 | JA  | DM   |
|           |     |                             |           |     |      |
|           |     |                             |           |     |      |



2X THREADED INSERT  
 M6 X .500 DEEP  
 RECOMMENDED TORQUE:  
 62-88 IN-LB [7-10 N-m]

FLANGE SEAL IS INTENDED  
 FOR NON-PRESSURIZED  
 FLUID SPLASH ONLY

-E- SYMBOL DESIGNATES  
 REDUCED DIAMETER WIRE SEAL

**RECOMMENDED PANEL-CUTOUT**

| TE INTERNAL PN | DEUTSCH PN     |
|----------------|----------------|
| DT04-12PA-LE21 | DT04-12PA-LE21 |
| DT04-12PB-LE21 | DT04-12PB-LE21 |
| DT04-12PC-LE21 | DT04-12PC-LE21 |
| DT04-12PD-LE21 | DT04-12PD-LE21 |

| CONTACT SIZE | MIN. INSUL. O.D. | MAX. INSUL. O.D. | WIRE RANGE [mm <sup>2</sup> ] REF ONLY |
|--------------|------------------|------------------|--|
| 16           | .053 [1.35]      | .120 [3.05]      | 14-20 AWG [2.5-0.5]                    |

4 DATE CODE: MONTH IS REPRESENTED BY SEQUENTIAL ALPHA CHARACTERS. EX: A = JANUARY, YEAR IS REPRESENTED BY LAST NUMERICAL DIGIT. EX: 0 = 2010

3 MATERIAL: HOUSING, CAP: PA66 GF15 (SEE SHEET 2 FOR COLOR) GROMMET, GASKET: VMQ (RED-ORANGE) INSERTS: STAINLESS STEEL

2. THIS RECEPTACLE MATES WITH DT06-12SX-XXXX PLUG. (X = KEY ARR; XXXX = ALL MODIFICATIONS) CONSULT FACTORY FOR MODIFICATIONS.

1 FOR CONTACTS AND WIRE PERFORMANCE AND APPLICATION CHARACTERISTICS, SEE ENVELOPE DRAWING 0425-015-0000.

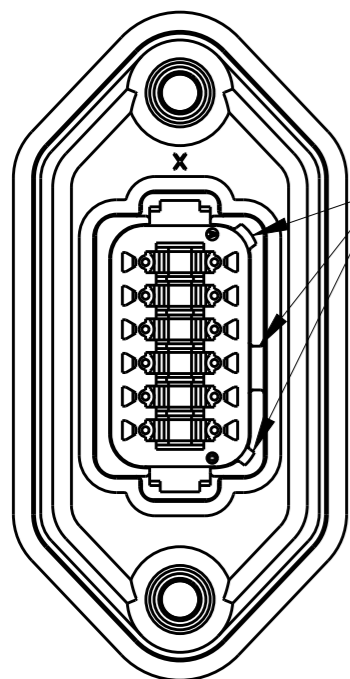
NOTES: UNLESS OTHERWISE SPECIFIED

|  |  |                                |  |                            |
|--|--|--------------------------------|--|----------------------------|
| THIS DRAWING IS A CONTROLLED DOCUMENT. |  | DWN R. MESSENGER 16OCT2008     |  |                            |
| DIMENSIONS: in [mm]                    |  | CHK B. BYFORD 09FEB2012        |  |                            |
| TOLERANCES UNLESS OTHERWISE SPECIFIED: |  | APVD S. BEARD 09FEB2012        | NAME 12 WAY RECEPTACLE ENHANCED KEY FLANGE DT SEREIS |                            |
| 0 PLC ±                                |  | PRODUCT SPEC 108-151009        | SIZE A3  |                            |
| 1 PLC ±                                |  | APPLICATION SPEC 0425-017-0000 | CAGE CODE 4AFU8                                      | DRAWING NO. DT04-12PX-LE21 |
| 2 PLC ±                                |  | WEIGHT 76.48g                  | RESTRICTED TO  |                            |
| 3 PLC ±.025 [0.64]                     |  | CUSTOMER DRAWING               | SCALE 1:2  | SHEET 1 OF 2               |
| 4 PLC ±                                |  |                                | REV A1   |                            |
| ANGLES ±0° 30' 0"                      |  |                                |  |                            |
| MATERIAL 3                             |  |                                |  |                            |
| FINISH                                 |  |                                |  |                            |

REVISIONS

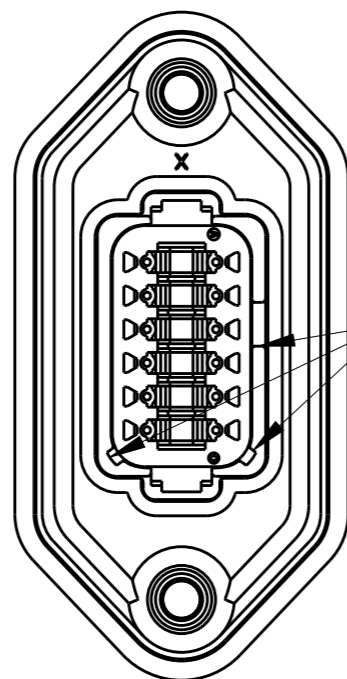
| P | LTR | DESCRIPTION | DATE | DWN | APVD |
|---|-----|-------------|------|-----|------|
| - |     | SEE SHEET 1 | -    | -   | -    |
|   |     |             |      |     |      |
|   |     |             |      |     |      |

DT04-12PA-LE21  
KEY ARR. -A-  
COLOR: GRAY



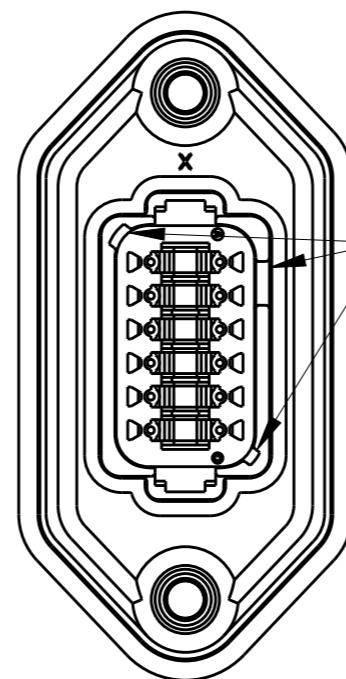
KEYWAYS -A-

DT04-12PB-LE21  
KEY ARR. -B-  
COLOR: BLACK



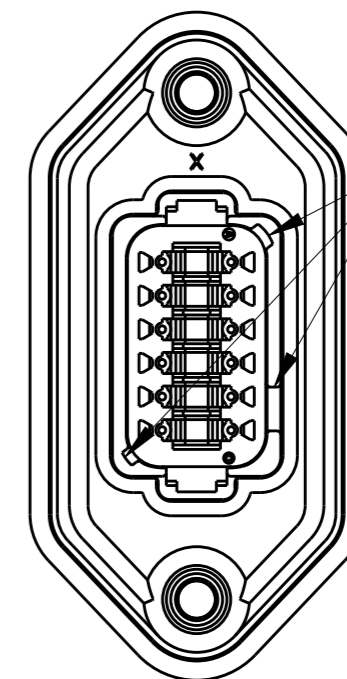
KEYWAYS -B-

DT04-12PC-LE21  
KEY ARR. -C-  
COLOR: GREEN



KEYWAYS -C-

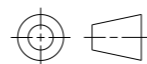
DT04-12PD-LE21  
KEY ARR. -D-  
COLOR: BROWN



KEYWAYS -D-

THIS DRAWING IS A CONTROLLED DOCUMENT.

DIMENSIONS:  
in [mm]



TOLERANCES UNLESS OTHERWISE SPECIFIED:

- 0 PLC ±
- 1 PLC ±
- 2 PLC ±
- 3 PLC ±.025 [0.64]
- 4 PLC ±
- ANGLES ±0° 30' 0"

FINISH

DWN 16OCT2008

R. MESSENGER

CHK 09FEB2012

B. BYFORD

APVD 09FEB2012

S. BEARD

PRODUCT SPEC

108-151009

APPLICATION SPEC

0425-017-0000

WEIGHT

76.48g

CUSTOMER DRAWING



TE Connectivity

NAME  
12 WAY RECEPTACLE  
ENHANCED KEY FLANGE  
DT SEREIS

SIZE CAGE CODE DRAWING NO RESTRICTED TO

A3 4AFU8 DT04-12PX-LE21

SCALE 1:2 SHEET 2 OF 2 REV A1

## X-ON Electronics

Largest Supplier of Electrical and Electronic Components

*Click to view similar products for [Automotive Connectors](#) category:*

*Click to view products by [TE Connectivity](#) manufacturer:*

Other Similar products are found below :

[003-018-000](#) [600858](#) [60403001](#) [60993906-B](#) [60993913-B](#) [629515004020001](#) [M902-2131](#) [M902-2161](#) [M902-2344](#) [72.330.1035.1](#)  
[73.353.4028.0](#) [F118010](#) [F119300-B](#) [F132210](#) [F132210-B](#) [F166900](#) [F180100](#) [F258300](#) [F258300-B](#) [F294300-B](#) [F339100](#) [F339700](#) [F358300-](#)  
[B](#) [F374110](#) [F407400](#) [F412210](#) [F427600](#) [F444110](#) [F487000](#) [F495100-B](#) [F500900-B](#) [F509500B-B](#) [770444-1](#) [776880-1](#) [827153-1](#) [881735-1](#)  
[8N1515-32-24P](#) [9-1326727-8](#) [9-1326729-8](#) [925467-1](#) [925474-1](#) [928905-1](#) [936398-2](#) [964562-1](#) [964562-4](#) [964731-2](#) [965051-1](#) [968782-1](#)  
[GT17SA-8DS-HU](#) [GT17VS-10DP-5.2CF](#)