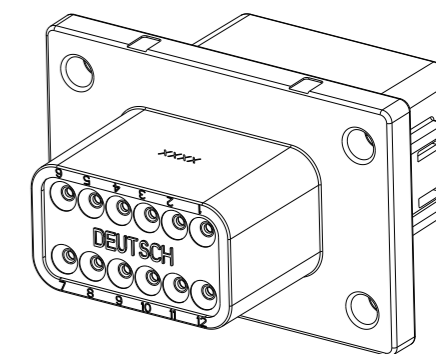
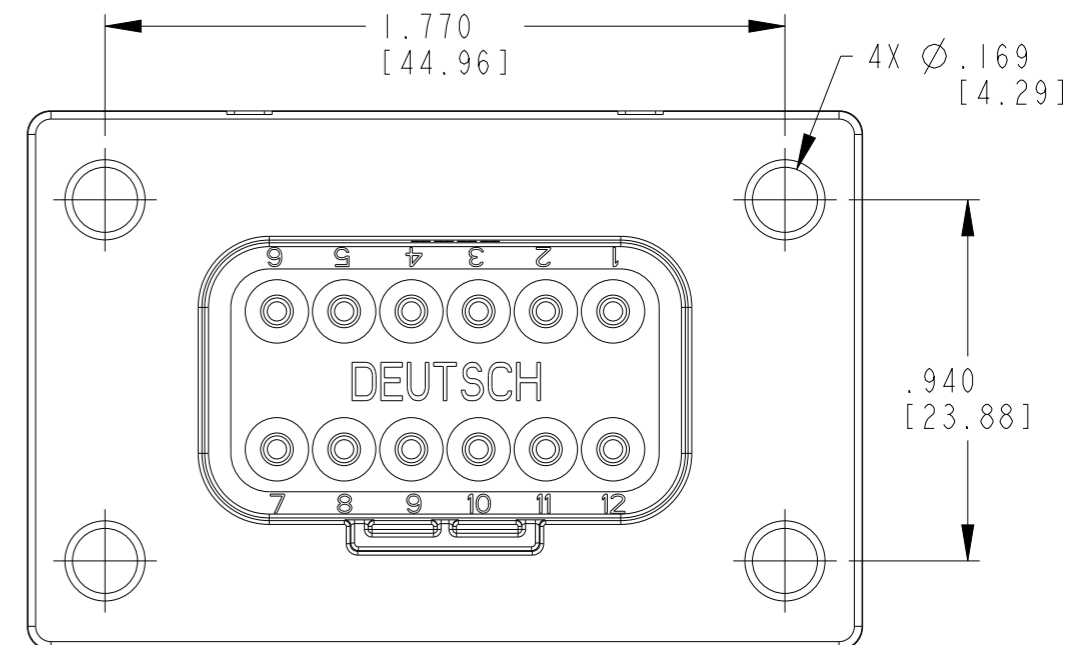
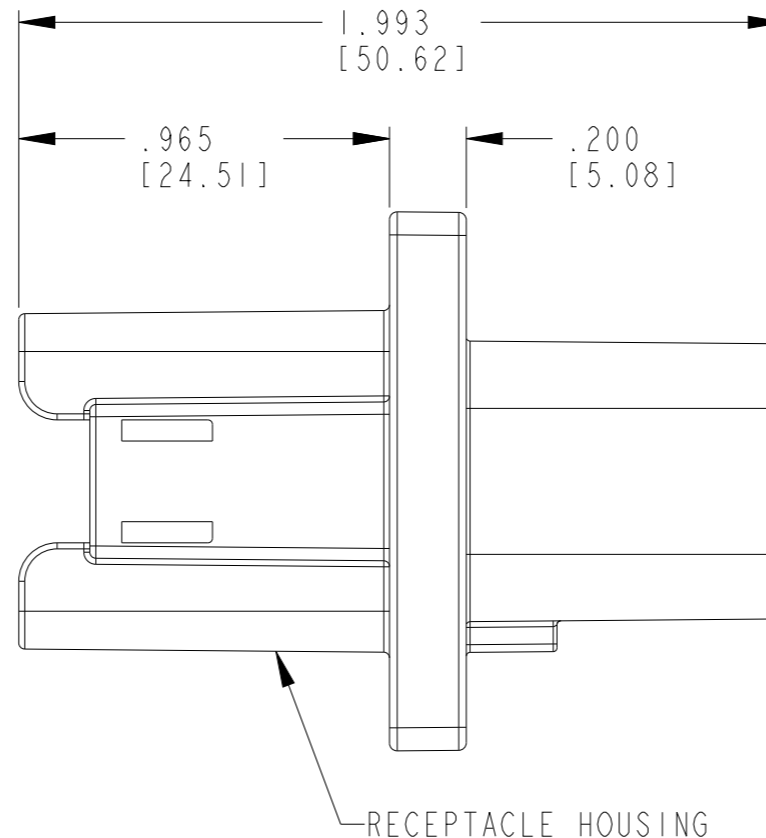
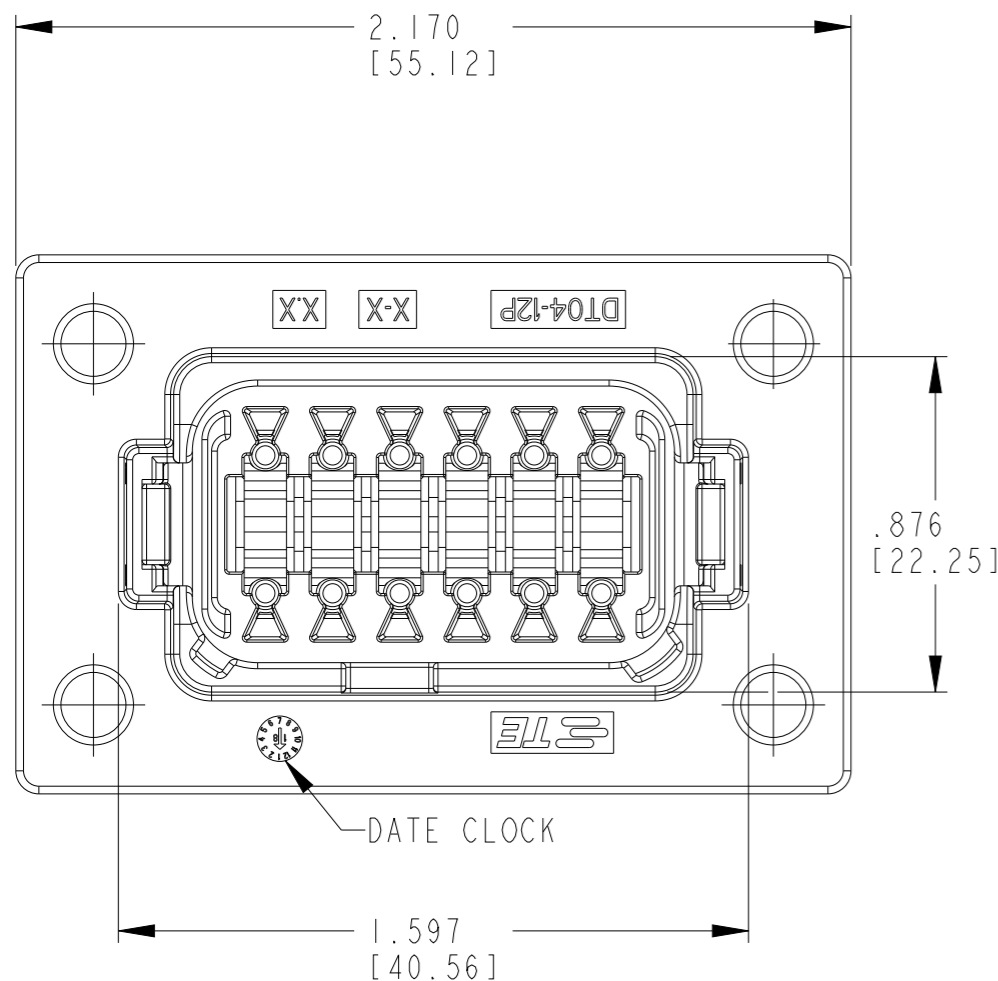


P	LTR	DESCRIPTION	DATE	DWN	APVD
NC		NEW RELEASE/REPLACES PREVIOUS	-	-	-
-		RELEASE PER E.O. P20101	15APR2009	-	RDR
A		REVISED PER E.O. P20438	18MAY2010	-	RDR
C		REVISED PER PCN E-20-009825	29JUN2020	PMV	IG



3-DIMENSIONAL VIEW

CONTACT SIZE	MIN. INSUL. O.D.	MAX. INSUL. O.D.	WIRE RANGE [mm ²]
16	.088 [2.24]	.145 [3.68]	14-20 AWG [2.0-0.5]

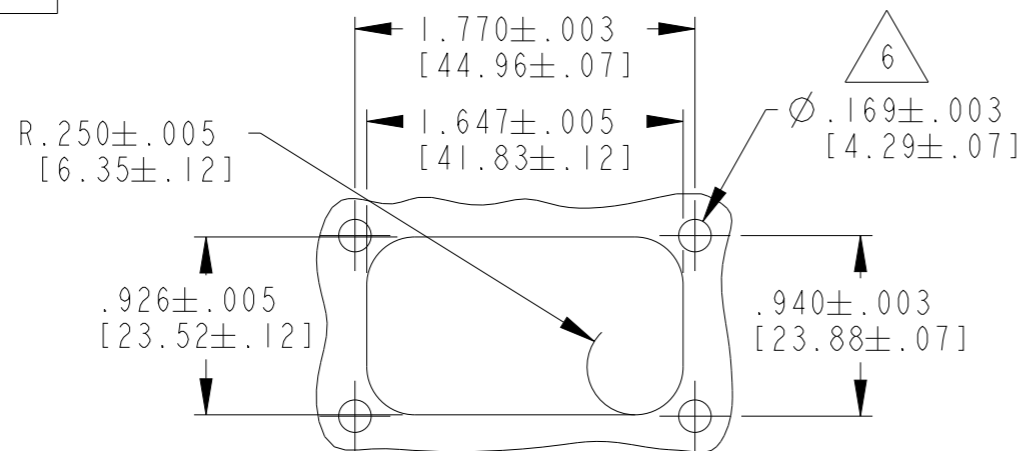
- 7. SECONDARY WEDGE LOCK SOLD SEPARATELY: W12P-XXXX. (XXXX = ALL MODIFICATIONS)
- 6. RECOMMENDED SCREW: 6-32 [M4]. RECOMMENDED TORQUE: 20-25 IN-LB [2.26-2.82 Nm].
- 5. MATERIAL - HOUSING: PA66 GF15 GROMMET: VMQ (ORANGE RED)
- 4. THIS RECEPTACLE MATES WITH DT06-12SX-XXXX PLUG. (X = KEY ARR. A,B,C,D; XXXX = ALL MODIFICATIONS) CONSULT FACTORY FOR MODIFICATIONS.
- 3. FOR CONTACT AND WIRE PERFORMANCE AND APPLICATION CHARACTERISTICS, SEE ENVELOPE DRAWING 0425-015-0000.

- 2. DELETED
- 1. DELETED

NOTES:

THIS DRAWING IS A CONTROLLED DOCUMENT.		DWN 01 JUN 2009 R. MESSENGER		TE Connectivity	
DIMENSIONS: INCHES [mm]		CHK 14 MAY 2010 R. MCCORD			
TOLERANCES UNLESS OTHERWISE SPECIFIED:		APVD 04 MAY 2010 S. BEARD		NAME 12 WAY RECEPTACLE WITH ENHANCED KEY AND FLANGE DT SERIES	
0 PLC ±- 1 PLC ±- 2 PLC ±- 3 PLC ±.025 [0.64] 4 PLC ±- ANGLES ±0° 30' 0"		PRODUCT SPEC 108-151009		SIZE A3	
MATERIAL		APPLICATION SPEC 114-151009		CAGE CODE 00779	
FINISH		WEIGHT -		DRAWING NO DT04-12PX-BL04	
5		CUSTOMER DRAWING		RESTRICTED TO -	
		SCALE 2:1		SHEET 1 OF 2	
				REV C	

P	LTR	DESCRIPTION	DATE	DWN	APVD
-	-	SEE SHEET 1	-	-	-



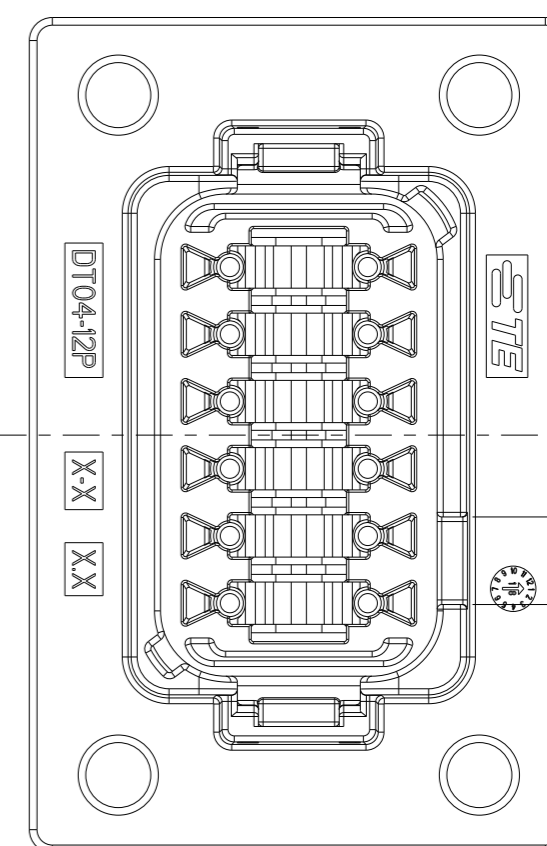
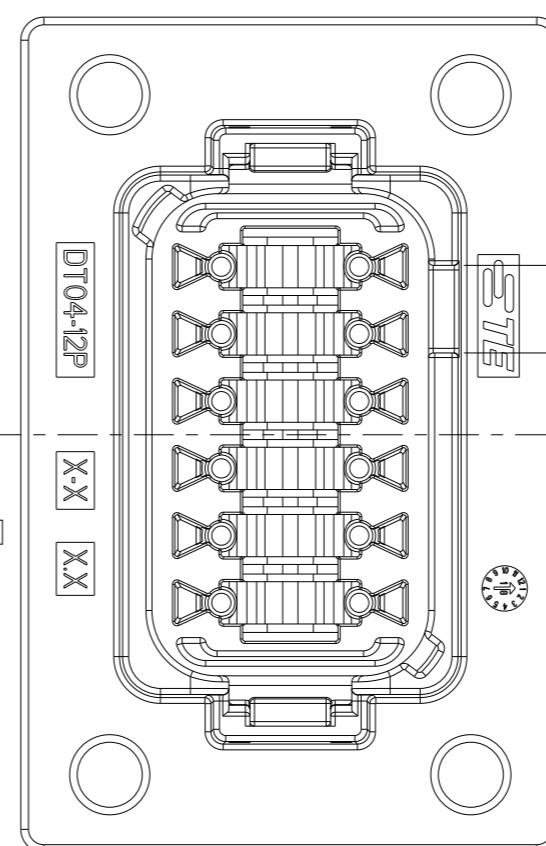
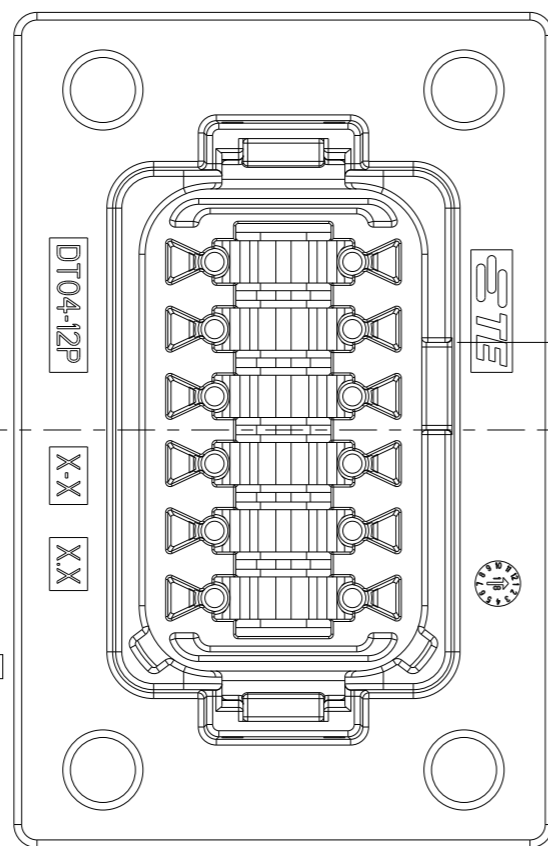
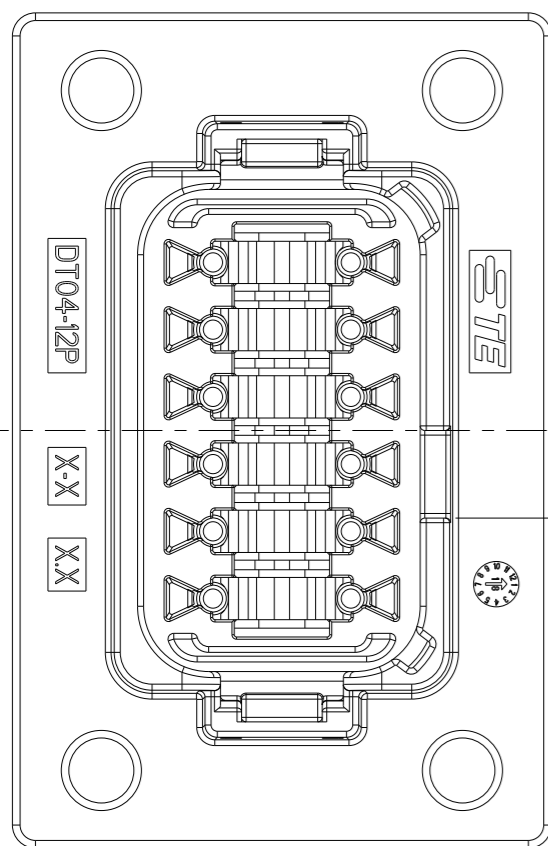
RECOMMENDED PANEL CUTOUT

DT04-12PA-BL04
KEY -A-
COLOR: GRAY

DT04-12PA-BL04
KEY -B-
COLOR: BLACK

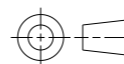
DT04-12PA-BL04
KEY -C-
COLOR: GREEN

DT04-12PA-BL04
KEY -D-
COLOR: BROWN



THIS DRAWING IS A CONTROLLED DOCUMENT.

DIMENSIONS:
 INCHES [mm]



TOLERANCES UNLESS
 OTHERWISE SPECIFIED:

- 0 PLC ±-
- 1 PLC ±-
- 2 PLC ±-
- 3 PLC ±.025 [0.64]
- 4 PLC ±-
- ANGLES ±° 30' 0"
- FINISH -

MATERIAL

DWN 01 JUN 2009
 R. MESSENGER
 CHK 14 MAY 2010
 R. MCCORD
 APVD 04 MAY 2010
 S. BEARD
 PRODUCT SPEC
 108-151009
 APPLICATION SPEC
 114-151009
 WEIGHT -



NAME
 12 WAY RECEPTACLE WITH ENHANCED
 KEY AND FLANGE DT SERIES

SIZE	CAGE CODE	DRAWING NO	RESTRICTED TO
A3	00779	DT04-12PX-BL04	-

CUSTOMER DRAWING SCALE 1:1 SHEET 2 OF 2 REV C

X-ON Electronics

Largest Supplier of Electrical and Electronic Components

Click to view similar products for [Automotive Connectors](#) category:

Click to view products by [TE Connectivity](#) manufacturer:

Other Similar products are found below :

[003-018-000](#) [60403001](#) [60993906-B](#) [M902-2131](#) [M902-2161](#) [M902-2344](#) [72.330.1035.1](#) [73.353.4028.0](#) [F119300-B](#) [F166900](#) [F258300-B](#)
[F358300-B](#) [F407400](#) [F444110](#) [F487000](#) [F509500B-B](#) [827153-1](#) [8N1515-32-24P](#) [9-1326729-8](#) [925474-1](#) [928905-1](#) [964562-4](#) [968782-1](#)
[GT17SA-8DS-HU](#) [98891-1012](#) [98947-1016](#) [12004147](#) [12004475-L](#) [12010290](#) [12010309-B](#) [12015454](#) [12020219-B](#) [12041318-B](#) [12052225-](#)
[L](#) [12052466](#) [12064869](#) [12004327-B](#) [12015308](#) [12015384](#) [12015909](#) [1-21030-1](#) [12041254](#) [12041318](#) [12047946-B](#) [12047957](#) [12047957-L](#)
[12059473](#) [12066261](#) [12110546](#) [12110546-B](#)