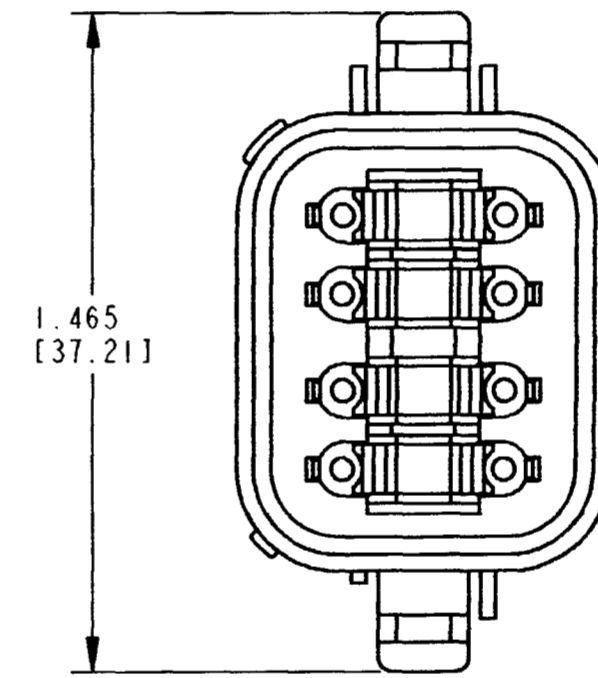
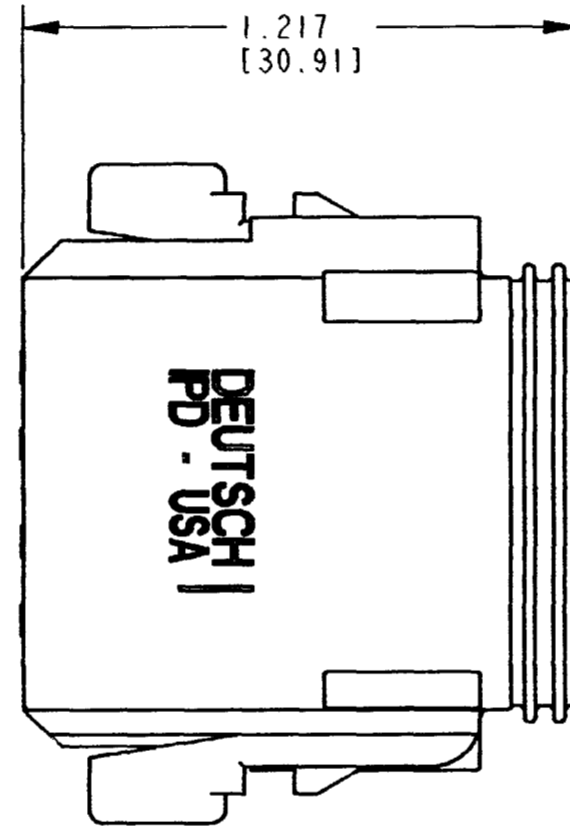
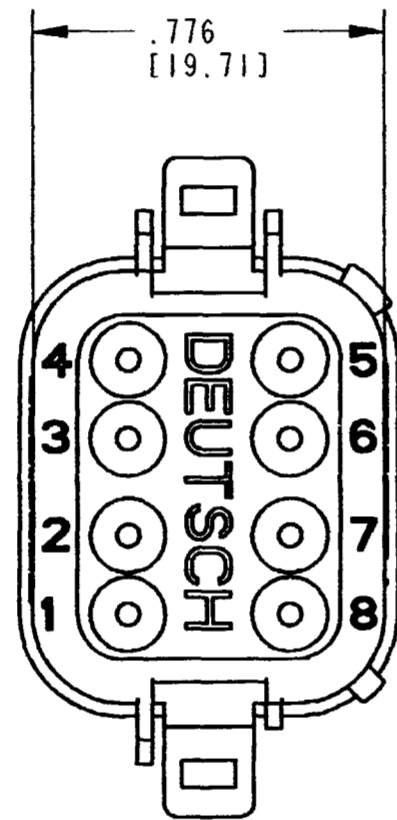


REV  
NC DT06-08S\*-P004

REVISIONS			
SYM	DESCRIPTION	DATE	APPROVED
NC	REDRAWN / REPLACES PREVIOUS		
	REVISED PER E.O. P19638	10-12-07	RDR




5. MATERIAL: SHELL: PLASTIC; SEAL: RUBBER
4. THIS PLUG MATES WITH THE DTO4-08P\*-\*\*\*\* RECEPTACLE (\* = A,B,C,D KEYS; \*\*\*\* = ALL MODIFICATIONS). CONSULT FACTORY FOR MODIFICATIONS.
3. FOR CONTACTS AND WIRE PERFORMANCE AND APPLICATION CHARACTERISTICS SEE ENVELOPE DRAWING 0425-015-0000 AND 0425-017-0000.
2. DIMENSIONS ARE  $\pm .025$  [0.63] UNLESS OTHERWISE SPECIFIED.
1. ALL DIMENSIONS ARE IN INCHES [MILLIMETERS].
- NOTES:

CONTACT SIZE	MIN. INSUL O.D.	MAX. INSUL O.D.	WIRE RANGE [mm <sup>2</sup> ] REF. ONLY
16	.088 [2.24]	.145 [3.68]	14-20 AWG [2.0-0.5]

SIGNATURE & DATE	
DR	A. MALAGON 11SEP07
CHK	<i>[Signature]</i> 10/12/07
PE	<i>[Signature]</i> 10/12/07
APPD	<i>[Signature]</i> 10-12-07
SCALE	NONE
WT	

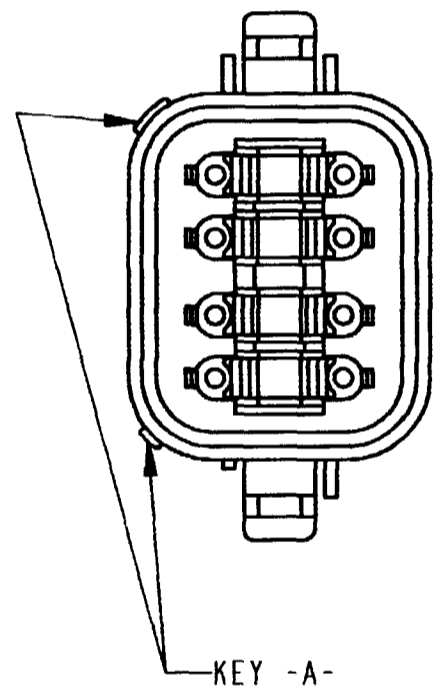
8 WAY PLUG  
-P004 MOD.  
DT SERIES

ENVELOPE

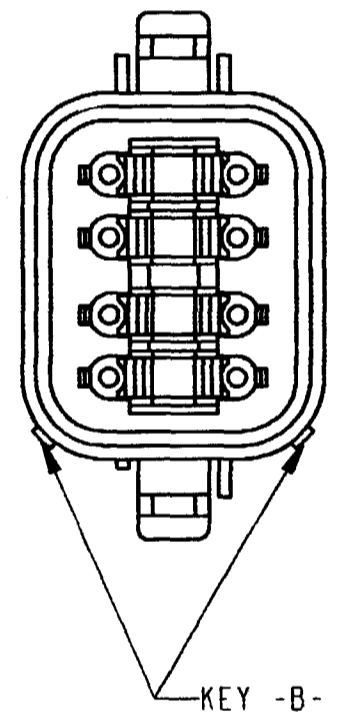
EP	MATL. CODE
 3850 INDUSTRIAL AVE. HEMET, CA 92545	
<b>DEUTSCH</b> INDUSTRIAL	
<b>B DT06-08S*-P004</b>	
DWG SIZE	CODE 11139 SHEET 1 OF 2

REV	DT06-08S*-P004	REVISIONS		
SYM	DESCRIPTION	DATE	APPROVED	
NC	SEE SHEET #1	10-12-07	ROR	

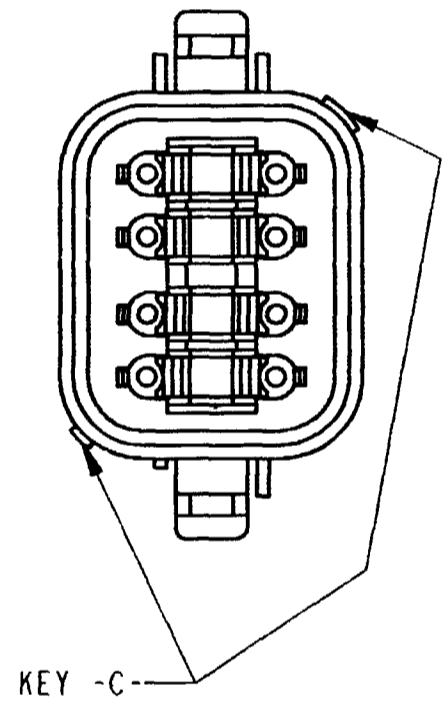
PART NO.  
DT06-08SA-P004  
KEY ARRANGMENT -A-  
COLOR: GRAY



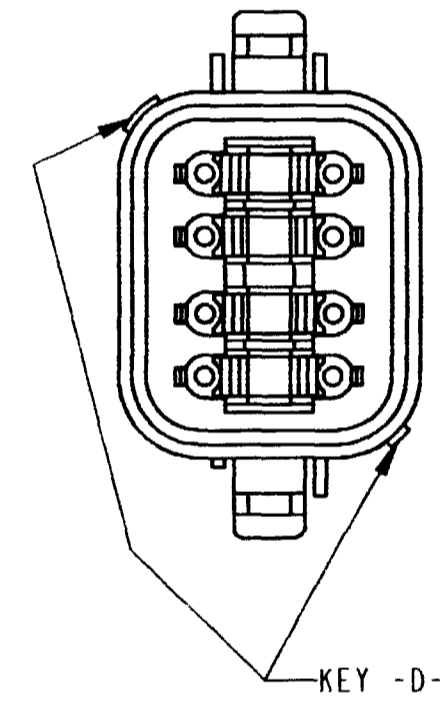
PART NO.  
DT06-08SB-P004  
KEY ARRANGMENT -B-  
COLOR: BLACK



PART NO.  
DT06-08SC-P004  
KEY ARRANGMENT -C-  
COLOR: GREEN



PART NO.  
DT06-08SD-P004  
KEY ARRANGMENT -D-  
COLOR: BROWN



NOTES:

SIGNATURE & DATE	
DR	A. MALAGON 11SEP07
CHK	<i>[Signature]</i> 10/12/07
PE	R. Wray 9/11/07
APPD	<i>[Signature]</i> 10-10-07
SCALE	NONE WT

8 WAY PLUG  
-P004 MOD.  
DT SERIES

ENVELOPE

EP	MATL. CODE
3850 INDUSTRIAL AVE. HEMET, CA 92545	
<b>DEUTSCH</b> INDUSTRIAL	
<b>B</b>	<b>DT06-08S*-P004</b>
DWG SIZE	CODE 11139 SHEET 2 OF 2

## X-ON Electronics

Largest Supplier of Electrical and Electronic Components

*Click to view similar products for [Automotive Connectors](#) category:*

*Click to view products by [TE Connectivity](#) manufacturer:*

Other Similar products are found below :

[003-018-000](#) [60993906-B](#) [M902-2131](#) [M902-2161](#) [M902-2344](#) [72.330.1035.1](#) [73.353.4028.0](#) [F166900](#) [F358300-B](#) [F407400](#) [776880-1](#)  
[827153-1](#) [8N1515-32-24P](#) [9-1326729-8](#) [925474-1](#) [928905-1](#) [964562-4](#) [968782-1](#) [98891-1012](#) [12004475-L](#) [12020308](#) [12041318-B](#)  
[12052466](#) [12064869](#) [12015909](#) [1-21030-1](#) [12041254](#) [12041318](#) [12047946-B](#) [12110546-B](#) [12131792](#) [12084688](#) [12092346](#) [HD34-18-14PT](#)  
[HD46-24-23SN-059](#) [HDB36-24-16PN-059](#) [HDP26-24-9SE-L015](#) [12185280](#) [12185550](#) [12336-12](#) [12191172-B](#) [12S](#) [13545280](#) [13577943](#)  
[13681974](#) [13737722-B](#) [13830674](#) [13832576](#) [13849772](#) [13542772](#)