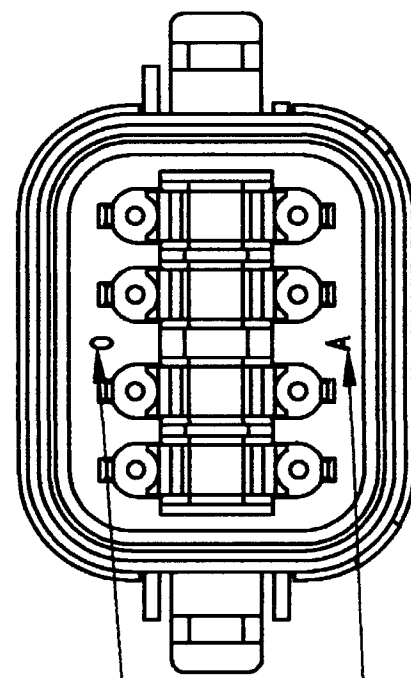
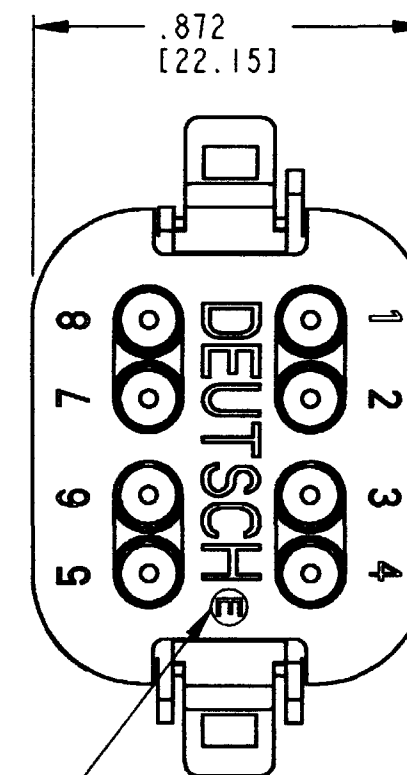
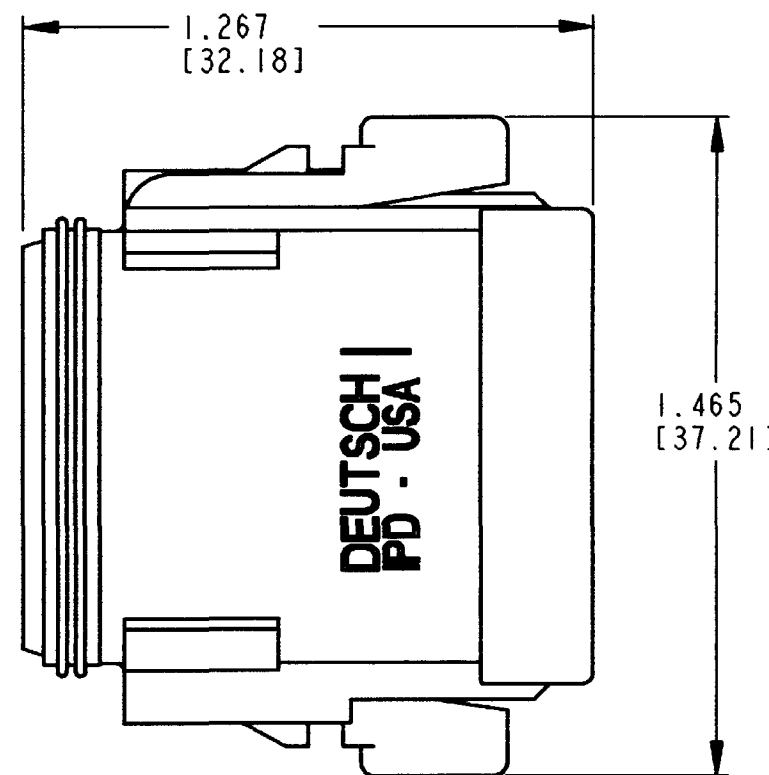


3D VIEW



DATE CODE:
MONTH REPRESENTED BY SEQUENTIAL ALPHA CHARACTERS. EX: A=JANUARY.
DATE CODE:
YEAR REPRESENTED BY LAST NUMERICAL DIGIT: EX - 0=2000



-E- DESIGNATES
REDUCED WIRE
DIAMETER.

REV NC	DT06-08S*-CE05	REVISIONS		
SYM	DESCRIPTION	DATE	APPROVED	
NC	REDRAWN / REPLACES PREVIOUS			
	RELEASE PER E.O. P19053	10-14-05	ADR	

5. MATERIAL: SHELL: PLASTIC; SEAL: RUBBER.
4. THIS PLUG MATES WITH THE DT04-08P*-**** RECEPTACLE (* = A,B,C,D KEYS; **** = ALL MODIFICATIONS). CONSULT FACTORY FOR MODIFICATIONS.

3. FOR CONTACTS AND WIRE PERFORMANCE AND APPLICATION CHARACTERISTICS SEE ENVELOPE DRAWING 0425-015-0000 AND 0425-017-0000.

2. DIMENSIONS ARE ±.025 [0.63] UNLESS OTHERWISE SPECIFIED.

1. DIMENSIONS ARE IN INCHES [MILLIMETERS].

NOTES:

CONTACT SIZE	MIN. INSUL O.D.	MAX. INSUL O.D.	WIRE RANGE [mm ²] REF. ONLY
16	.053 [1.35]	.120 [3.05]	14-20 AWG [2.0-0.5]

SIGNATURE & DATE	
DR	A. MALAGON 19SEP05
CHK	<i>[Signature]</i> 10/12/05
PE	<i>[Signature]</i> 10/12/05
APPD	<i>[Signature]</i> 10/12/05
SCALE	NONE WT

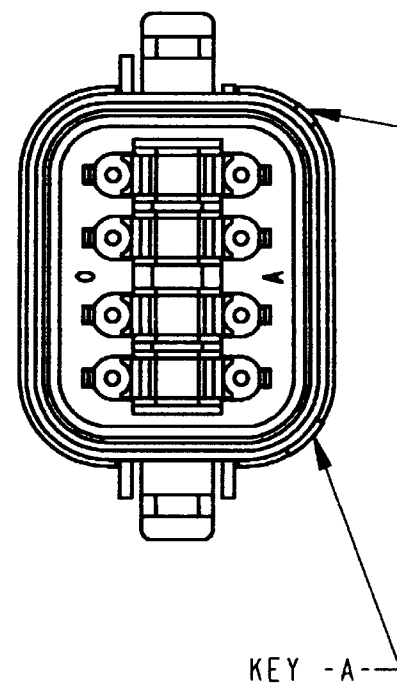
8 WAY PLUG
W/ WELD CAP,
& SEAL RETENTION STYLE
-CE05 MOD.
DT SERIES

ENVELOPE

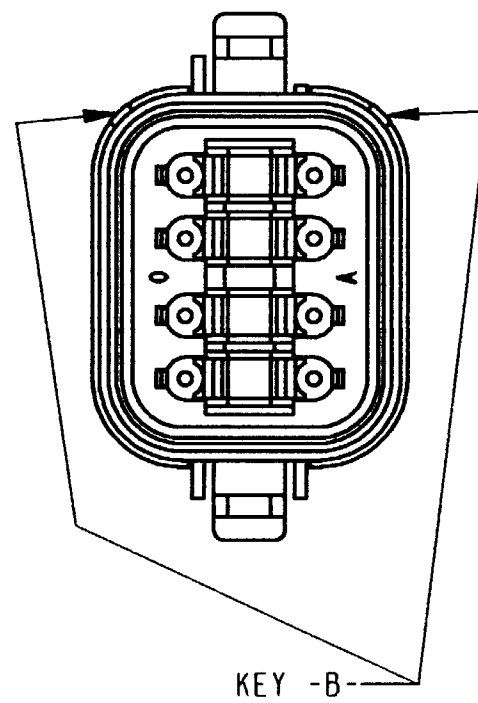
CP	MATL. CODE
The Deutsch Company DEUTSCH I.P.D. 3850 INDUSTRIAL AVE. HEMET, CALIF. 92545	
B	DT06-08S*-CE05
DWG SIZE	CODE 11139 SHEET 1 OF 2

REV	DT06-08S*-CE05	REVISIONS			
NC		SYM	DESCRIPTION	DATE	APPROVED
		NC	REDRAWN / REPLACES PREVIOUS		
			RELEASE PER E.O. P19053	10-14-05	RDR

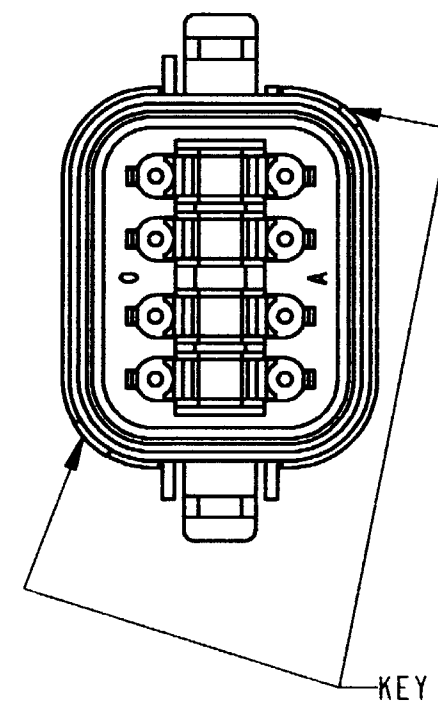
PART NO.
DT06-08SA-CE05
KEY ARRANGMENT -A-
COLOR: GRAY



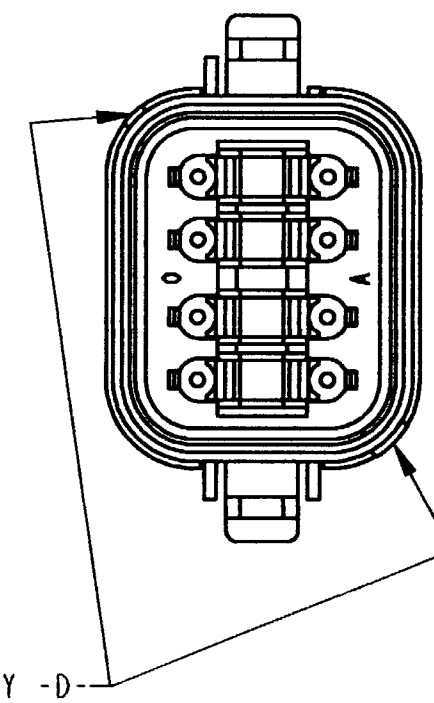
PART NO.
DT06-08SB-CE05
KEY ARRANGMENT -B-
COLOR: BLACK



PART NO.
DT06-08SC-CE05
KEY ARRANGMENT -C-
COLOR: GREEN



PART NO.
DT06-08SD-CE05
KEY ARRANGMENT -D-
COLOR: BROWN



NOTES:

SIGNATURE & DATE	
DR	A. MALAGON 19SEP05
CHK	<i>Janil Smith</i> 10/12/05
PE	<i>Scott Glenn</i> 9/22/05
APPD	<i>S Beard</i> 10-12-05
SCALE	NONE WT

8 WAY PLUG
W/ WELD CAP,
& SEAL RETENTION STYLE
-CE05 MOD.
DT SERIES

ENVELOPE

CP	MATL. CODE
The Deutch Company DEUTSCH I.P.D. 3850 INDUSTRIAL AVE. HEMET, CALIF. 92545	
B	DT06-08S*-CE05
DWG SIZE	CODE 11139 SHEET 2 OF 2

X-ON Electronics

Largest Supplier of Electrical and Electronic Components

Click to view similar products for [Automotive Connectors](#) category:

Click to view products by [TE Connectivity](#) manufacturer:

Other Similar products are found below :

[003-018-000](#) [60403001](#) [60993906-B](#) [M902-2131](#) [M902-2161](#) [72.330.1035.1](#) [73.353.4028.0](#) [F119300-B](#) [F166900](#) [F258300-B](#) [F358300-B](#)
[F407400](#) [F444110](#) [F487000](#) [F509500B-B](#) [827153-1](#) [8N1515-32-24P](#) [9-1326729-8](#) [925474-1](#) [928905-1](#) [964562-4](#) [968782-1](#) [GT17SA-8DS-](#)
[HU](#) [98891-1012](#) [98947-1016](#) [12004147](#) [12004475-L](#) [12010290](#) [12010309-B](#) [12015454](#) [12020219-B](#) [12020308](#) [12041318-B](#) [12052225-L](#)
[12052466](#) [12059125](#) [12064869](#) [12004327-B](#) [12010503-B](#) [12015308](#) [12015384](#) [12015909](#) [1-21030-1](#) [12041254](#) [12041318](#) [12047946-B](#)
[12047957](#) [12047957-L](#) [12059473](#) [12066261](#)