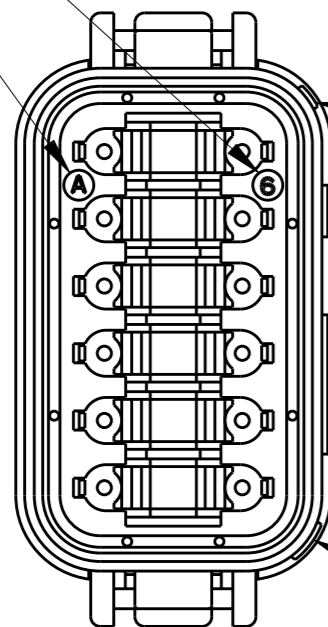


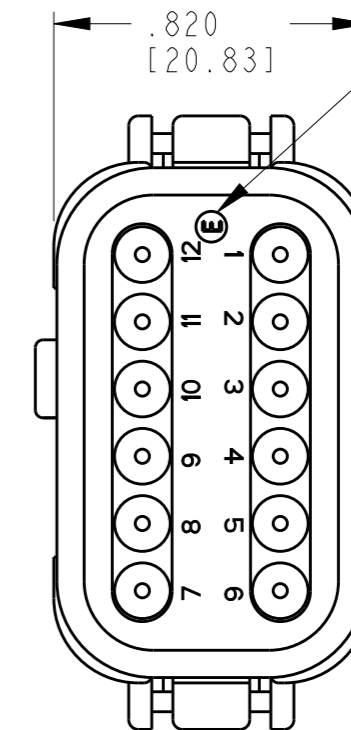
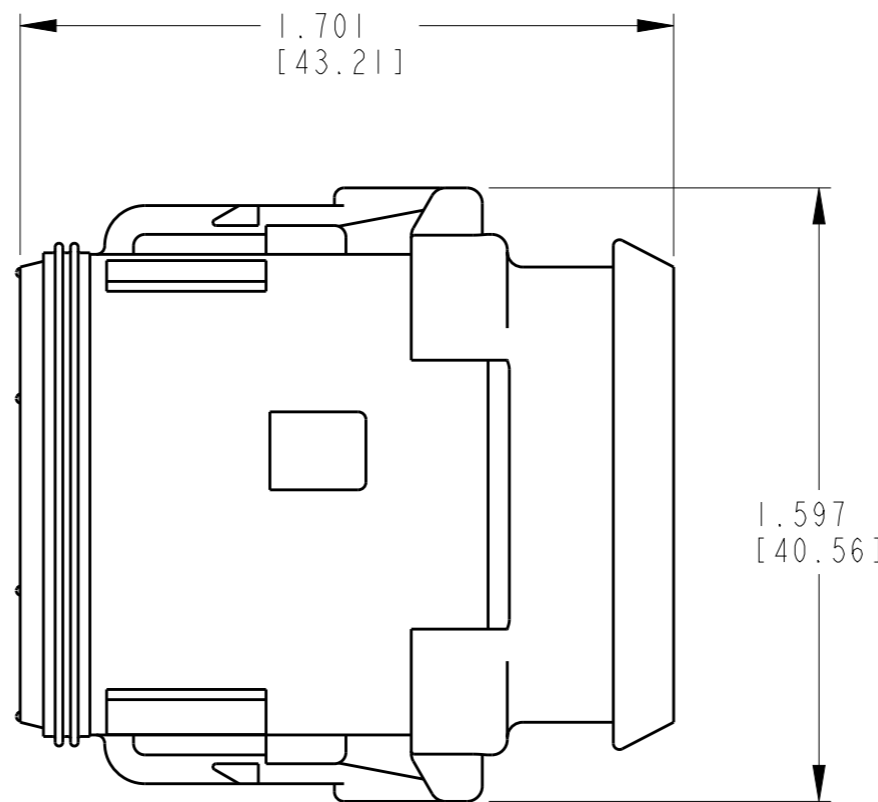
REVISIONS

P	LTR	DESCRIPTION	DATE	DWN	APVD
	B1	REVISED PER PCN E-17-014006	12SEP2017	SS	DM

DATE CODE: MONTH REPRESENTED BY SEQUENTIAL ALPHA CHARACTERS.
 EX. A = JANUARY
 YEAR IS REPRESENTED BY LAST NUMERICAL DIGIT.
 EX. 6 = 2016



KEY -A- REF.



-E- DESIGNATES REDUCED WIRE SEAL DIAMETER.

4. MATERIAL: HOUSING: PA66 GF15, SEE SHEET 2 FOR COLOR.
 GROMMET: VMQ (RED-ORANGE)

3. THIS PLUG MATES WITH DT04-12PX-XXXX RECEPTACLE.
 (X = A,B,C,D KEY ARRANGEMENT; XXXX = ALL MODIFICATIONS).
 CONSULT FACTORY FOR ALL MODIFICATIONS.

2. FOR CONTACTS AND WIRE PERFORMANCE AND APPLICATION CHARACTERISTICS, SEE ENVELOPE DRAWINGS 0425-015-0000.

1. SECONDARY WEDGE LOCK SOLD SEPARATELY: WI2S-P012.

NOTES:

TE INTERNAL PN	DEUTSCH PN
DT06-12SA-CE13	DT06-12SA-CE13
DT06-12SB-CE13	DT06-12SB-CE13
DT06-12SC-CE13	DT06-12SC-CE13
DT06-12SD-CE13	DT06-12SD-CE13

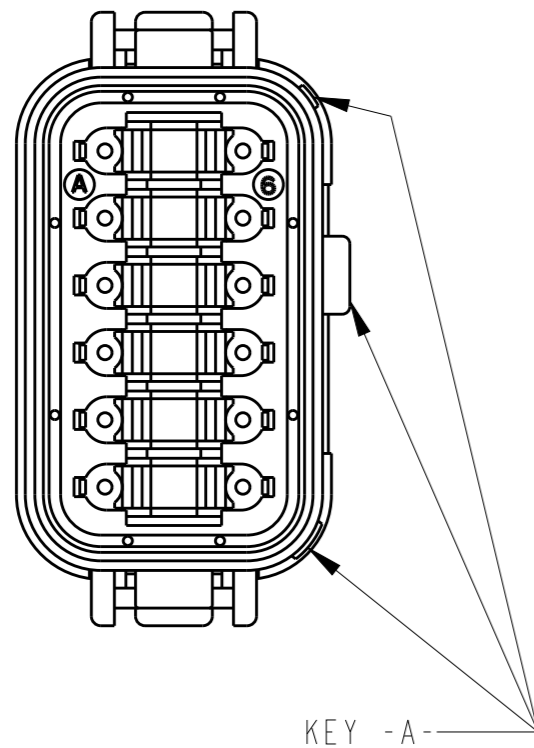
CONTACT SIZE	MIN. INSUL O.D.	MAX. INSUL O.D.	WIRE RANGE [mm ²] REF. ONLY
16	.053 [1.35]	.120 [3.05]	14-20 AWG [2.5-0.5]

THIS DRAWING IS A CONTROLLED DOCUMENT.		DWN A. MALAGON 03AUG2006		TE Connectivity	
DIMENSIONS: INCHES [mm]		CHK B. BYFORD 05NOV2009			
TOLERANCES UNLESS OTHERWISE SPECIFIED:		APVD S. BEARD 04NOV2009		NAME 12 WAY PLUG W/ SHRINK BOOT CAP AND REDUCED WIRE SEAL -CE13 MOD. DT SERIES	
0 PLC ± 1 PLC ± 2 PLC ± 3 PLC ±.025 [.64] 4 PLC ± ANGLES ±0°30'0"		PRODUCT SPEC 108-151009		SIZE A3	
MATERIAL 4		APPLICATION SPEC 0425-017-0000		CAGE CODE 4AFU8	
FINISH -		WEIGHT 20 G		DRAWING NO. DT06-12SX-CE13	
		CUSTOMER DRAWING		RESTRICTED TO -	
		SCALE 1:1		SHEET 1 OF 2	
				REV B1	

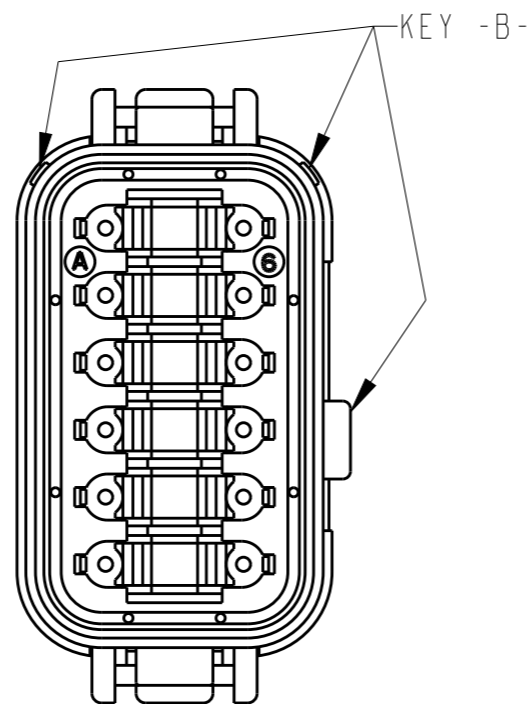
THIS DRAWING IS UNPUBLISHED
 RELEASED FOR PUBLICATION 2017
 © COPYRIGHT 2017 BY -TE CONNECTIVITY ALL RIGHTS RESERVED.

REVISIONS					
P	LTR	DESCRIPTION	DATE	DWN	APVD
-		SEE SHEET 1	-	-	-

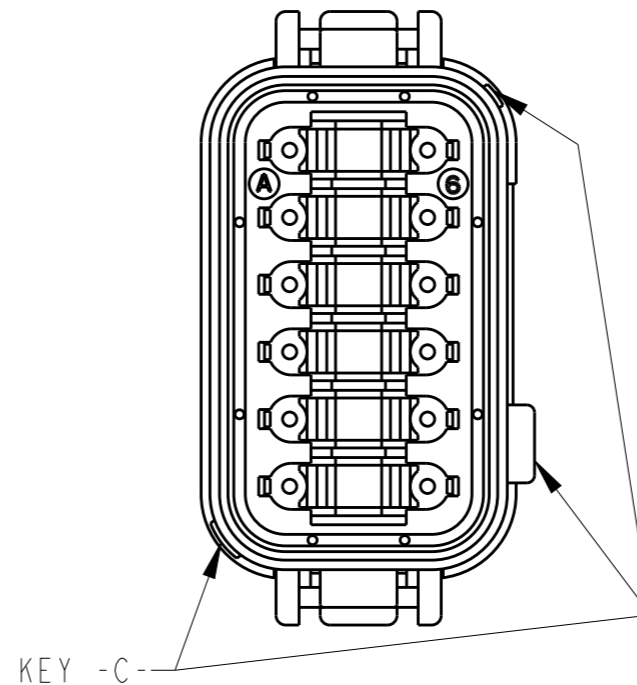
PART NO.: DT06-12SA-CE13
 KEY ARR. -A-
 HOUSING AND CAP COLOR: GRAY



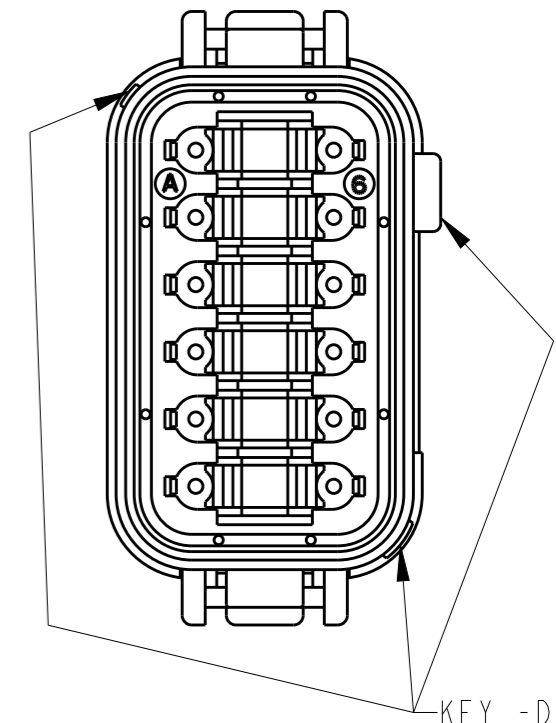
PART NO.: DT06-12SB-CE13
 KEY ARR. B-
 HOUSING AND CAP COLOR: BLACK





PART NO.: DT06-12SC-CE13
 KEY ARR. -C-
 HOUSING COLOR: GREEN
 CAP COLOR: BLACK



PART NO.: DT06-12SD-CE13
 KEY ARR. -D-
 HOUSING COLOR: BROWN
 CAP COLOR: BLACK



THIS DRAWING IS A CONTROLLED DOCUMENT.		DWN A. MALAGON 03AUG2006	 TE Connectivity		
DIMENSIONS: INCHES [mm]		CHK B. BYFORD 05NOV2009			
TOLERANCES UNLESS OTHERWISE SPECIFIED:		APVD S. BEARD 04NOV2009	NAME 12 WAY PLUG W/ SHRINK BOOT CAP AND REDUCED WIRE SEAL -CE13 MOD. DT SERIES		
0 PLC ± 1 PLC ± 2 PLC ± 3 PLC ±.025 [.64] 4 PLC ± ANGLES ± ±0°30'0"		PRODUCT SPEC 108-151009	RESTRICTED TO		
MATERIAL		APPLICATION SPEC 0425-017-0000	SIZE A3	CAGE CODE 4AFU8	DRAWING NO DT06-12SX-CE13
FINISH		WEIGHT 20 G	SCALE 1:1		
		CUSTOMER DRAWING	SHEET 2 OF 2		
			REV B1		

X-ON Electronics

Largest Supplier of Electrical and Electronic Components

Click to view similar products for [Automotive Connectors](#) category:

Click to view products by [TE Connectivity](#) manufacturer:

Other Similar products are found below :

[003-018-000](#) [60403001](#) [60993906-B](#) [M902-2131](#) [M902-2161](#) [72.330.1035.1](#) [73.353.4028.0](#) [F119300-B](#) [F166900](#) [F258300-B](#) [F358300-B](#)
[F407400](#) [F444110](#) [F487000](#) [F509500B-B](#) [827153-1](#) [8N1515-32-24P](#) [9-1326729-8](#) [925474-1](#) [928905-1](#) [964562-4](#) [968782-1](#) [GT17SA-8DS-](#)
[HU](#) [98891-1012](#) [98947-1016](#) [12004147](#) [12004475-L](#) [12010290](#) [12010309-B](#) [12015454](#) [12020219-B](#) [12020308](#) [12041318-B](#) [12052225-L](#)
[12052466](#) [12059125](#) [12064869](#) [12004327-B](#) [12010503-B](#) [12015308](#) [12015384](#) [12015909](#) [1-21030-1](#) [12041254](#) [12041318](#) [12047946-B](#)
[12047957](#) [12047957-L](#) [12059473](#) [12066261](#)