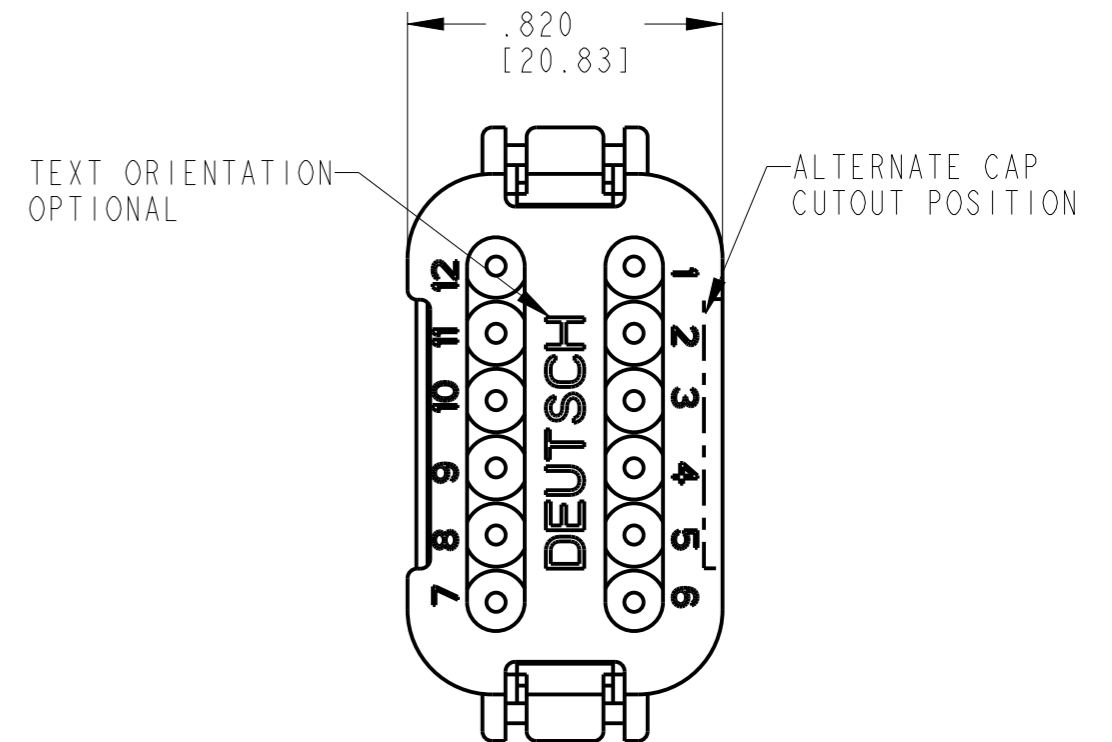
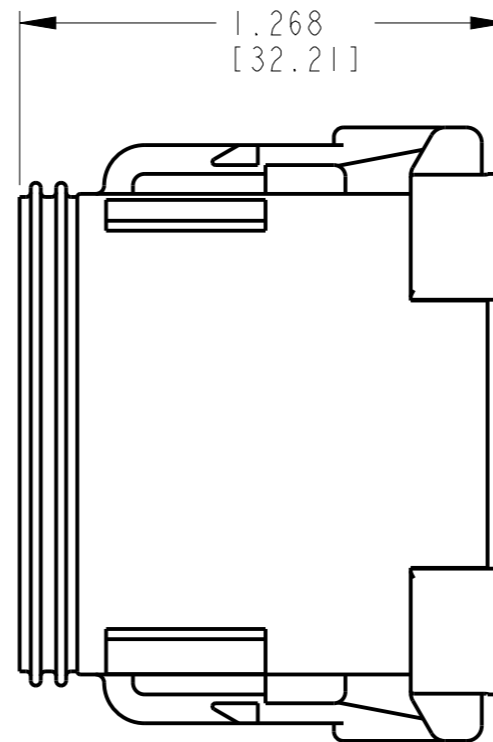
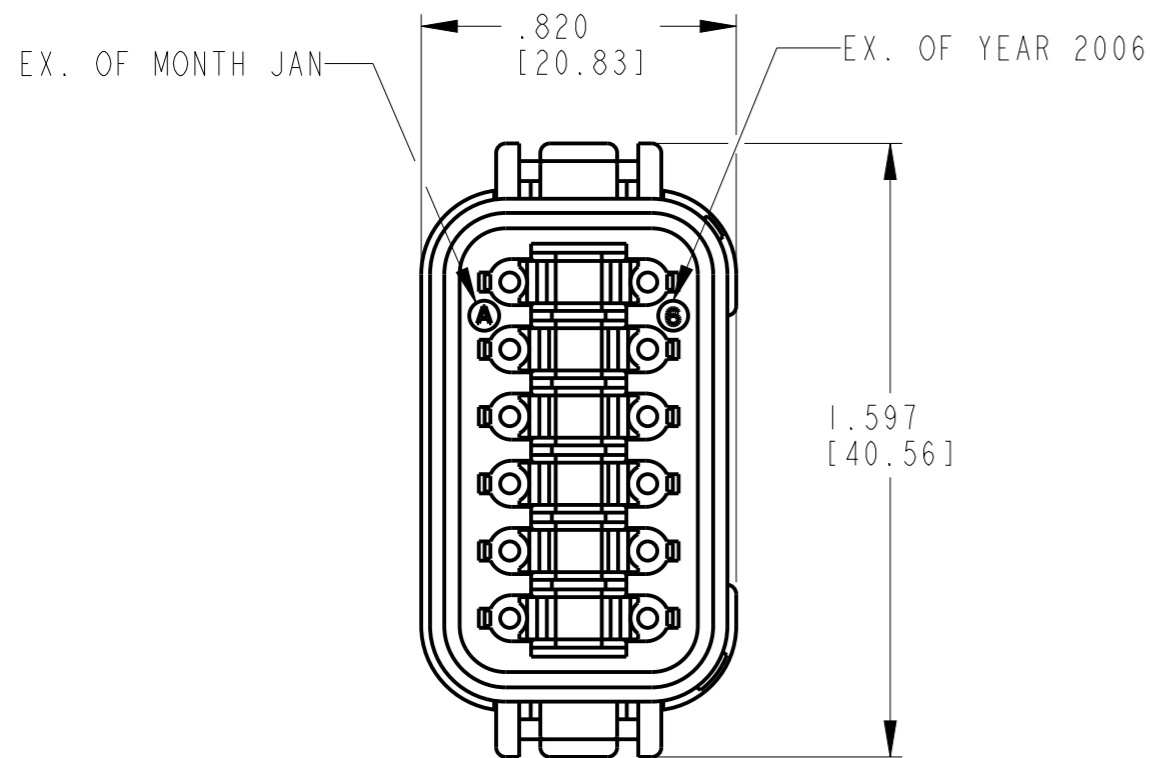


P	LTR	DESCRIPTION	DATE	DWN	APVD
-		RELEASE PER E.O. P18204	27JUN2003	-	RDR
A		RELEASE PER E.O. P18506	19MAR2004	-	RDR
A1		REVISED PER PCN E-21-003625	08APR2021	MK	IG



4. THIS PLUG MATES WITH DT04-12P*-**** RECEPTACLE.
 (**** = ALL MODIFICATIONS * = A,B,C,D KEY ARR.)
 CONSULT FACTORY FOR ALL MODIFICATIONS.

3 FOR CONTACTS AND WIRE PERFORMANCE AND APPLICATION CHARACTERISTICS,
 SEE SPECIFICATION 0425-015-0000.

2 MATERIAL: SHELL: HOUSING: PA66 GF15
 GROMMET: VMQ (RED-ORANGE)
 FRONT SEAL: VMQ (RED-ORANGE)

1. USE WITH WEDGELock WI2S SOLD SEPARATELY

CONTACT SIZE	MIN. INSUL O.D.	MAX. INSUL O.D.	WIRE RANGE [mm ²]
16	.088 [2.24]	.145 [3.68]	14-20 AWG [2.0-0.5]

THIS DRAWING IS A CONTROLLED DOCUMENT.		DWN Y. YOHANNES 09JUN2003		TE Connectivity	
DIMENSIONS: IN [mm]		CHK S. BEARD 18MAR2004			
		TOLERANCES UNLESS OTHERWISE SPECIFIED:		NAME 12 WAY PLUG -E003 MOD. DT SERIES	
		0 PLC ±- 1 PLC ±- 2 PLC ±- 3 PLC ±.025[0.63] 4 PLC ±- ANGLES ±-		APVD S. BEARD 16MAR2004	
MATERIAL 2		FINISH		PRODUCT SPEC 108-151009	
				APPLICATION SPEC 114-151009	
		WEIGHT 16 GR		SIZE A3	
		CUSTOMER DRAWING		CAGE CODE 00779	
				DRAWING NO. C=DT06-12SX-E003	
				RESTRICTED TO -	
				SCALE 1:1	
				SHEET 1 OF 2	
				REV A1	

REVISIONS

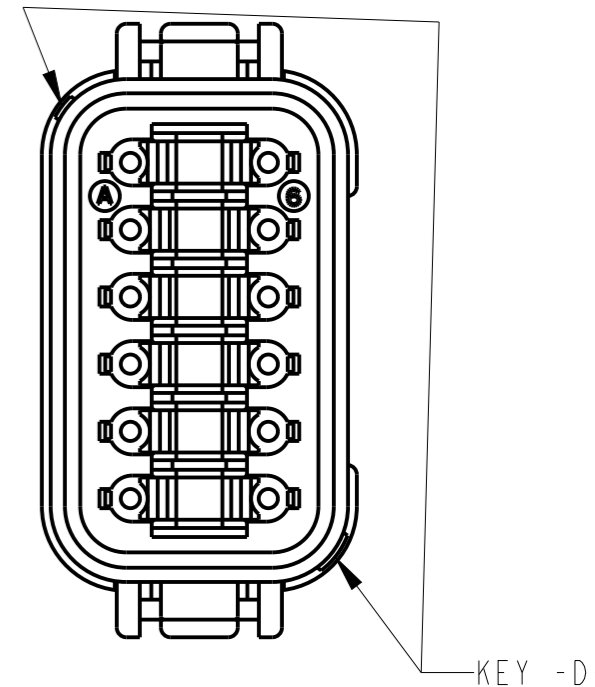
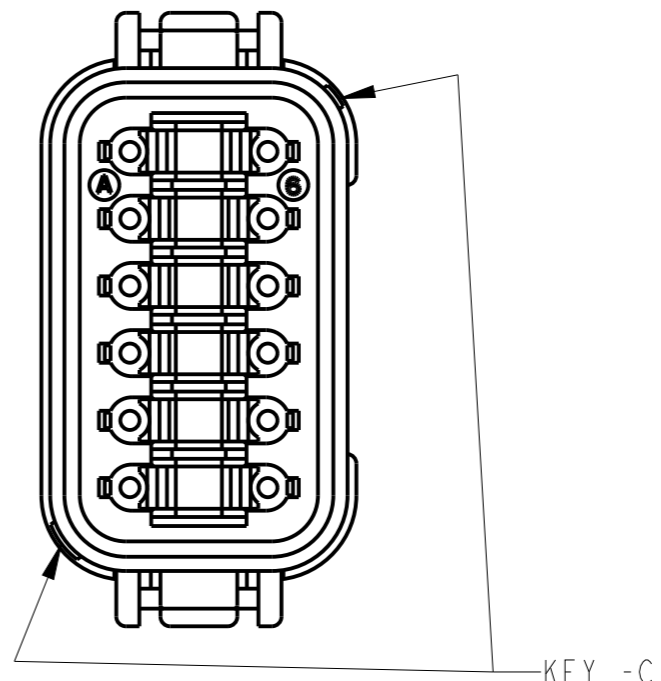
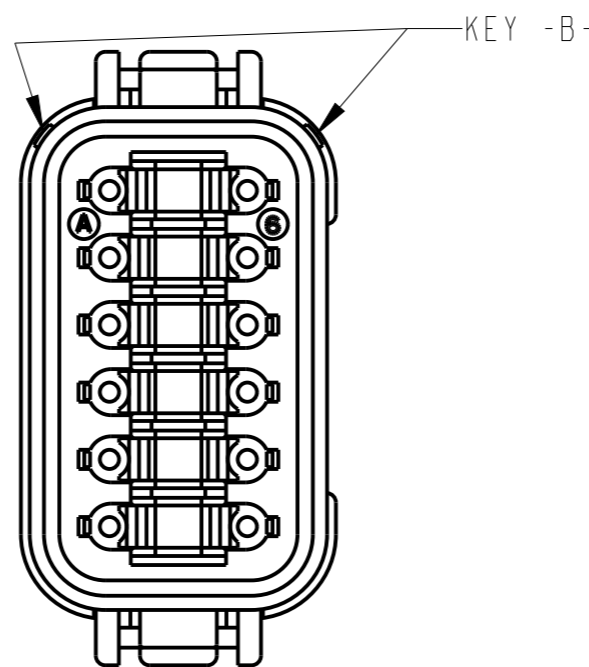
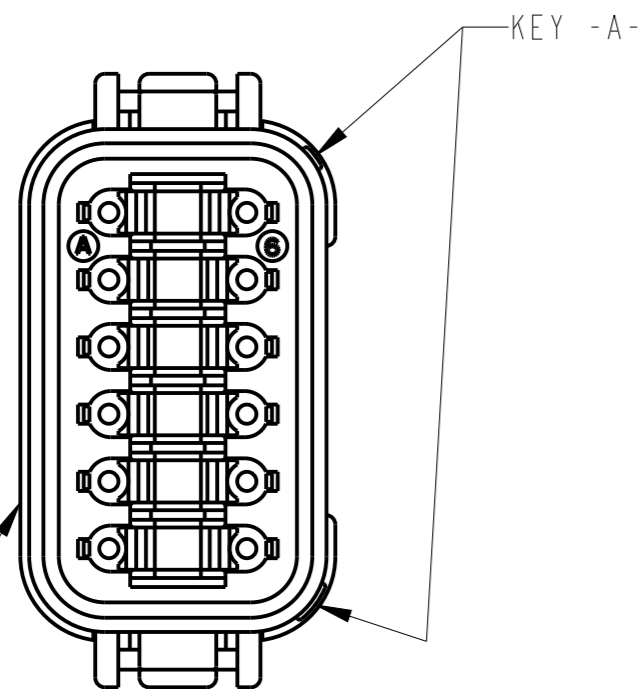
P	LTR	DESCRIPTION	DATE	DWN	APVD
-		SEE SHEET 1	-	-	-

PART NO.: DT06-12SA-E003
 KEY ARR. -A-
 COLOR: GRAY

PART NO.: DT06-12SB-E003
 KEY ARR. -B-
 COLOR: BLACK

PART NO.: DT06-12SC-E003
 KEY ARR. -C-
 COLOR: GREEN

PART NO.: DT06-12SD-E003
 KEY ARR. -D-
 COLOR: BROWN



ALTERNATE CAP
 CUTOUT POSITION
 ALL KEYS

NOTES: SEE SHEET ONE

THIS DRAWING IS A CONTROLLED DOCUMENT.		DWN Y. YOHANNES 09 JUN 2003			
DIMENSIONS: IN [mm]		CHK S. BEARD 18 MAR 2004			
TOLERANCES UNLESS OTHERWISE SPECIFIED:		APVD S. BEARD 16 MAR 2004	NAME 12 WAY PLUG -E003 MOD. DT SERIES		
0 PLC ±-		PRODUCT SPEC 108-151009	SIZE A3	CAGE CODE 00779	DRAWING NO G=DT06-12SX-E003
1 PLC ±-		APPLICATION SPEC 114-151009	RESTRICTED TO -		
2 PLC ±-		WEIGHT 16 GR	SCALE 1:1		
3 PLC ±.025[0.63]		CUSTOMER DRAWING	SHEET 2 OF 2		
4 PLC ±-			REV A1		
ANGLES ±-					
MATERIAL	FINISH				

X-ON Electronics

Largest Supplier of Electrical and Electronic Components

Click to view similar products for [Automotive Connectors](#) category:

Click to view products by [TE Connectivity](#) manufacturer:

Other Similar products are found below :

[003-018-000](#) [60403001](#) [60993906-B](#) [M902-2131](#) [M902-2161](#) [M902-2344](#) [72.330.1035.1](#) [73.353.4028.0](#) [F119300-B](#) [F166900](#) [F258300-B](#)
[F358300-B](#) [F407400](#) [F444110](#) [F487000](#) [F509500B-B](#) [827153-1](#) [8N1515-32-24P](#) [9-1326729-8](#) [925474-1](#) [928905-1](#) [964562-4](#) [968782-1](#)
[GT17SA-8DS-HU](#) [98891-1012](#) [98947-1016](#) [12004147](#) [12004475-L](#) [12010290](#) [12010309-B](#) [12015454](#) [12020219-B](#) [12041318-B](#) [12052225-](#)
[L](#) [12052466](#) [12064869](#) [12004327-B](#) [12015308](#) [12015384](#) [12015909](#) [1-21030-1](#) [12041254](#) [12041318](#) [12047946-B](#) [12047957](#) [12047957-L](#)
[12059473](#) [12066261](#) [12110546](#) [12110546-B](#)