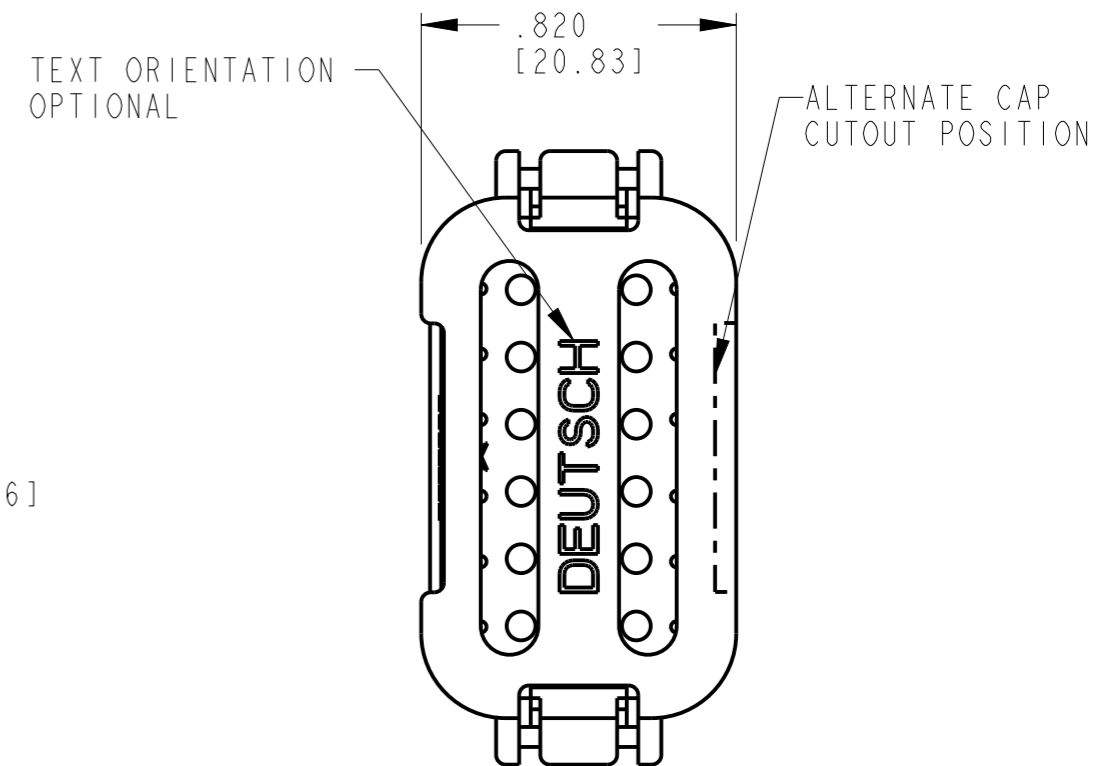
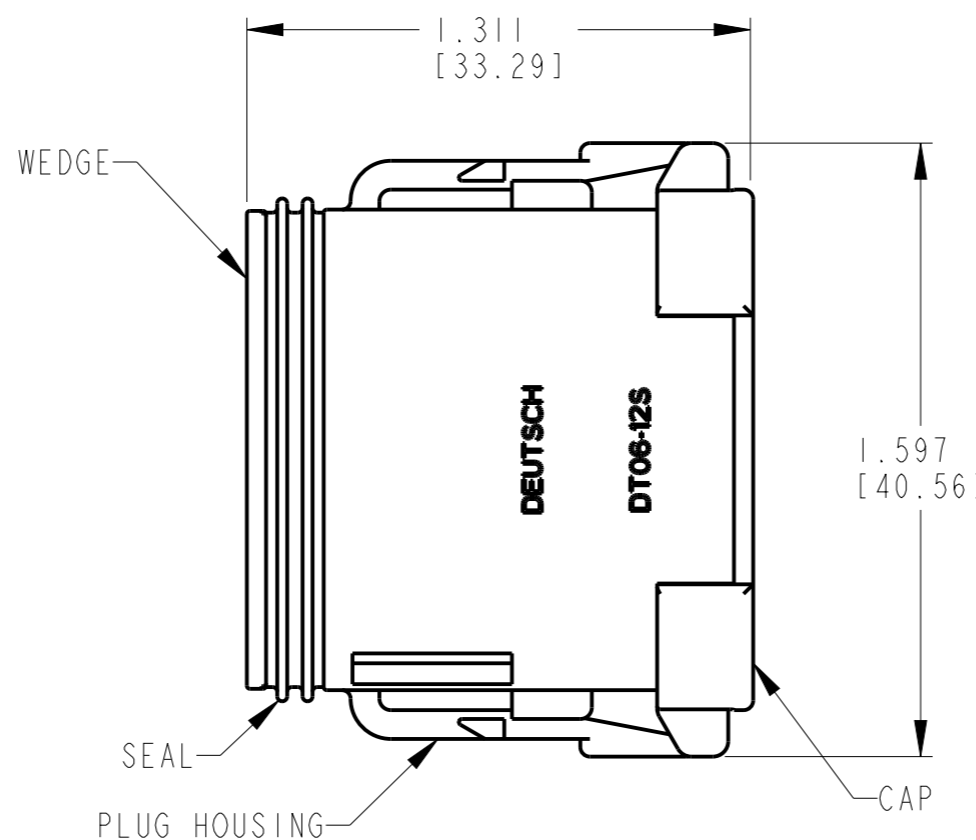
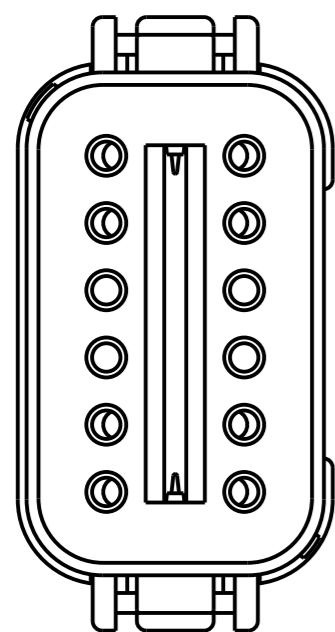
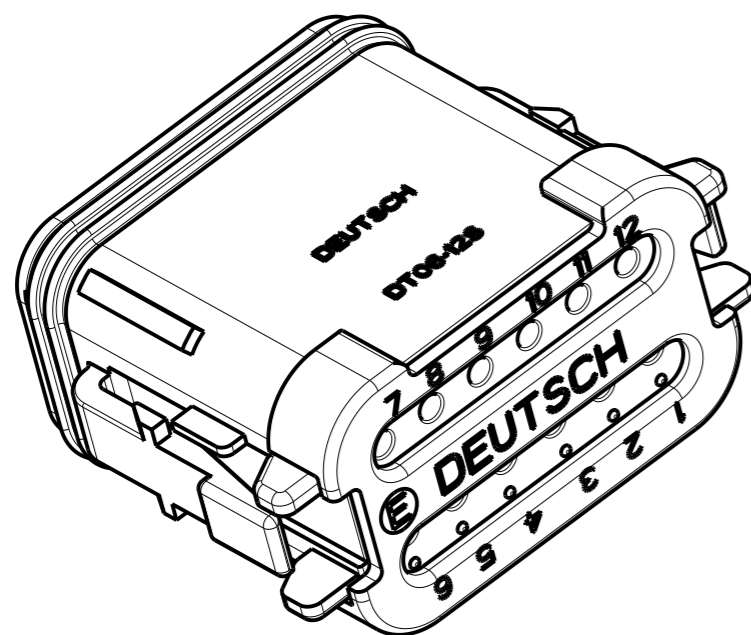


P	LTR	DESCRIPTION	DATE	DWN	APVD
	NC	REDRAWN / REPLACES PREVIOUS	-	-	-
	-	RELEASE PER E.O. PI7688	30APR2002	-	RDR
	A	REVISED PER PCN E-21-003625	05APR2021	MK	IG



2 MATERIAL: HOUSING: PA66 GF15
 GROMMET: VMQ (RED-ORANGE)
 FRONT SEAL: VMQ (RED-ORANGE)
 WEDGE LOCK: PBT GF 30 (ORANGE)

1. THIS PLUG MATES DT04-12P*-**** RECEPTACLE.
 (* = KEY ARR. A,B,C,D, & **** = ALL MODIFICATIONS).
 CONSULT FACTORY FOR MODIFICATIONS.

THIS DRAWING IS A CONTROLLED DOCUMENT.		DWN T. YOHANNES 19MAR2002		
DIMENSIONS: IN [mm]		CHK S. BEARD 30APR2002		
TOLERANCES UNLESS OTHERWISE SPECIFIED:		APVD S. BEARD 30APR2002	NAME 12 WAY PLUG WITH BLOCKED GROMMET -C017 MOD. DT SERIES	
0 PLC ±- 1 PLC ±- 2 PLC ±- 3 PLC ±.025[0.63] 4 PLC ±- ANGLES ±-		PRODUCT SPEC 108-151009	RESTRICTED TO	
MATERIAL		APPLICATION SPEC 114-151009	SIZE A3	CAGE CODE 00779
FINISH		WEIGHT 18 GR	DRAWING NO G=DT06-12SX-C017	
2		CUSTOMER DRAWING		SCALE 1:1
		SHEET 1 OF 2		REV A

REVISIONS

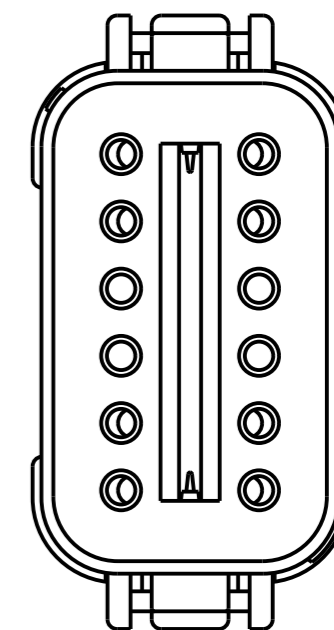
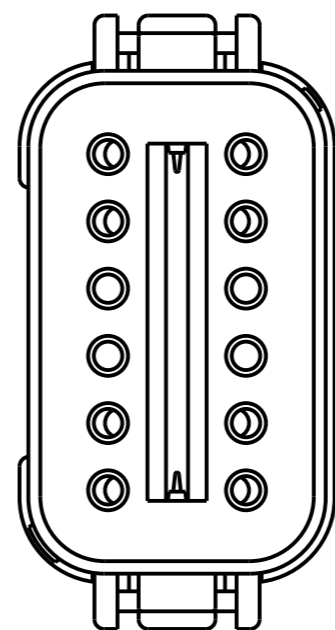
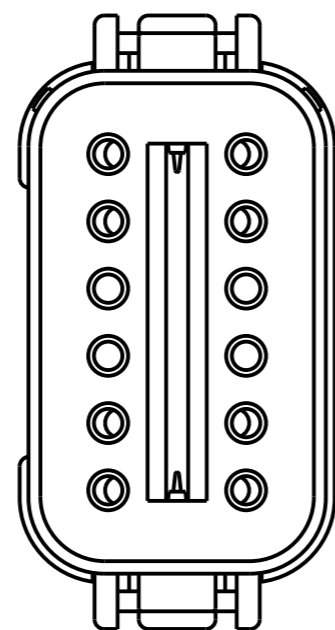
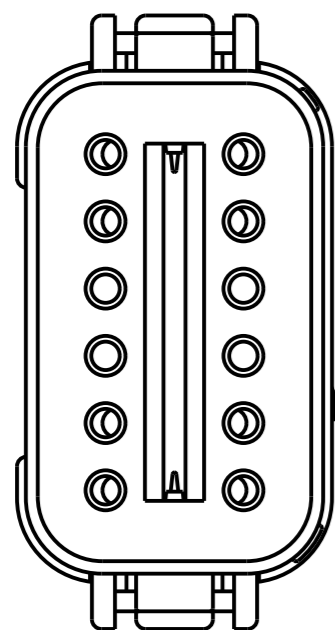
P	LTR	DESCRIPTION	DATE	DWN	APVD
-		SEE SHEET 1	-	-	-

**KEY ARRANGEMENT -A-
DT06-12SA-C017**

**KEY ARRANGEMENT -B-
DT06-12SB-C017**

**KEY ARRANGEMENT -C-
DT06-12SC-C017**

**KEY ARRANGEMENT -D-
DT06-12SD-C017**



ALTERNATE CAP CUTOUT POSITION ALL KEYS

KEY ARR.	COLOR	PART NUMBER
A	GRAY	DT06-12SA-C017
B	BLACK	DT06-12SB-C017
C	GREEN	DT06-12SC-C017
D	BROWN	DT06-12SD-C017

THIS DRAWING IS A CONTROLLED DOCUMENT.		DWN T. YOHANNES 19MAR2002		
DIMENSIONS: IN [mm]		CHK S. BEARD 30APR2002		
TOLERANCES UNLESS OTHERWISE SPECIFIED:		APVD S. BEARD 30APR2002	NAME 12 WAY PLUG WITH BLOCKED GROMMET -C017 MOD. DT SERIES	
0 PLC ±-		PRODUCT SPEC 108-151009	RESTRICTED TO	
1 PLC ±-		APPLICATION SPEC 114-151009	SIZE A3	CAGE CODE 00779
2 PLC ±-		WEIGHT 18 GR	DRAWING NO G=DT06-12SX-C017	REV A
3 PLC ±.025[0.63]		CUSTOMER DRAWING	SCALE 1:1	SHEET 2 OF 2
4 PLC ±-				
ANGLES ±-				
MATERIAL	FINISH			

X-ON Electronics

Largest Supplier of Electrical and Electronic Components

Click to view similar products for [Automotive Connectors](#) category:

Click to view products by [TE Connectivity](#) manufacturer:

Other Similar products are found below :

[003-018-000](#) [60403001](#) [60993906-B](#) [M902-2131](#) [M902-2161](#) [M902-2344](#) [72.330.1035.1](#) [73.353.4028.0](#) [F119300-B](#) [F166900](#) [F258300-B](#)
[F358300-B](#) [F407400](#) [F444110](#) [F487000](#) [F509500B-B](#) [827153-1](#) [8N1515-32-24P](#) [9-1326729-8](#) [925474-1](#) [928905-1](#) [964562-4](#) [968782-1](#)
[GT17SA-8DS-HU](#) [98891-1012](#) [98947-1016](#) [12004147](#) [12004475-L](#) [12010290](#) [12010309-B](#) [12015454](#) [12020219-B](#) [12041318-B](#) [12052225-](#)
[L](#) [12052466](#) [12064869](#) [12004327-B](#) [12015308](#) [12015384](#) [12015909](#) [1-21030-1](#) [12041254](#) [12041318](#) [12047946-B](#) [12047957](#) [12047957-L](#)
[12059473](#) [12066261](#) [12110546](#) [12110546-B](#)