

LOC		DIST		REVISIONS			
P	LTN	DESCRIPTION	DATE	DWN	APVD		
B		REVISED PER PCN E-17-010843	21MAR2018	JA	DM		
B1		REVISED PER PCN E-18-013976	03SEP2018	SS	DM		
B2		REVISED PER PCN E-19-004598	15MAR2019	DD	DM		
C		REVISED PER PCN E-19-014633	24APR2019	NS	RM		

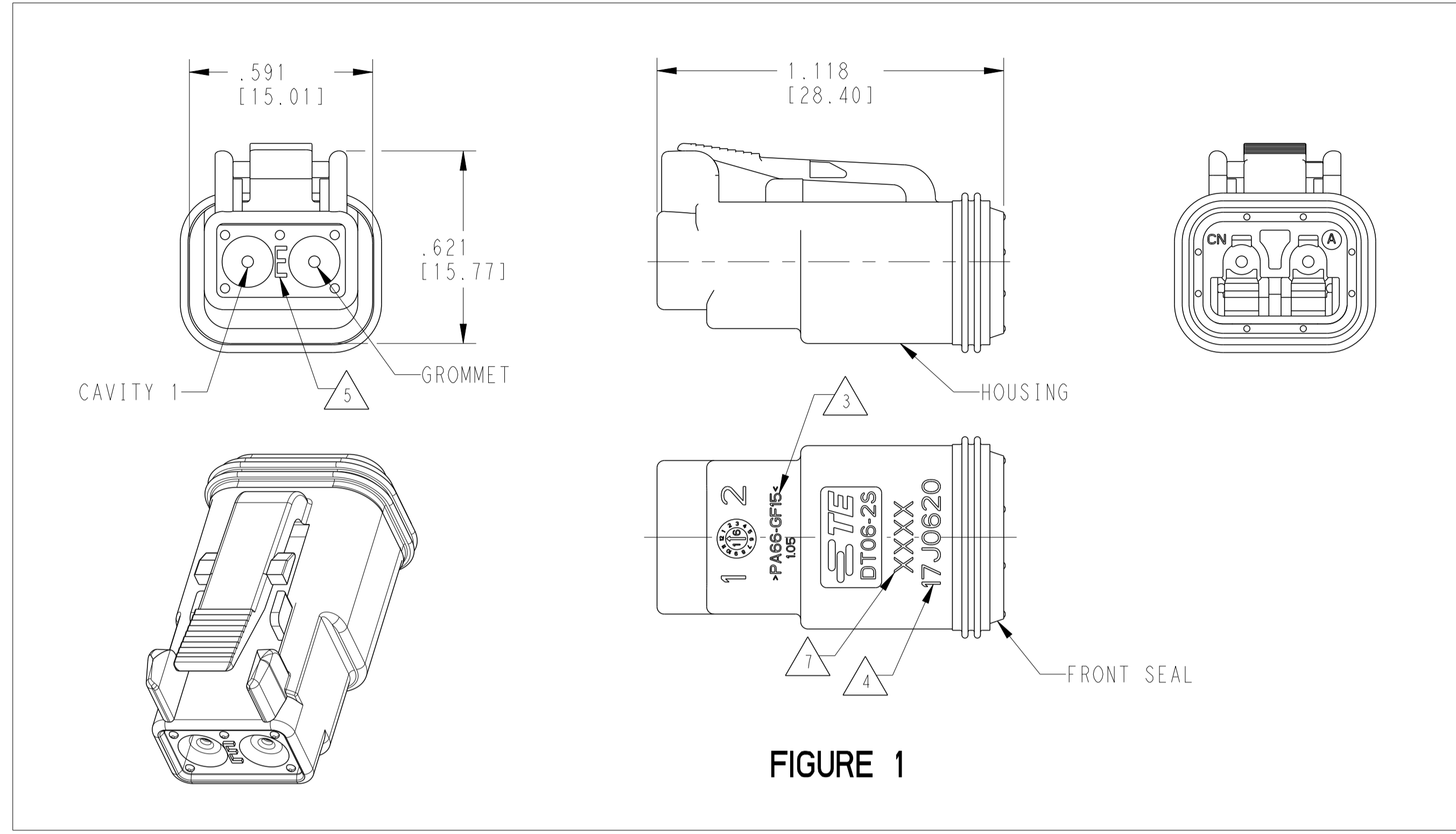


FIGURE 1

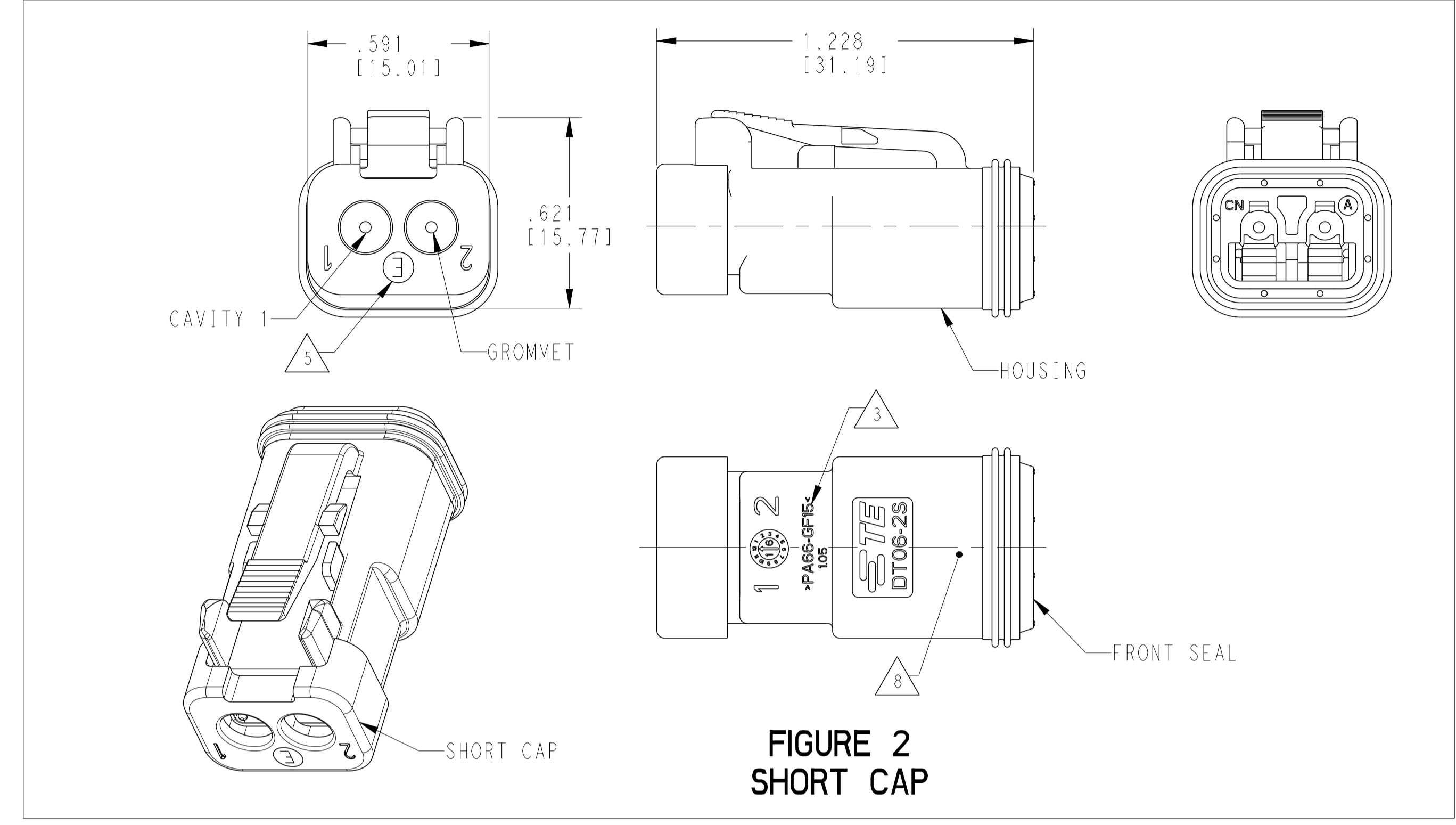


FIGURE 2
SHORT CAP

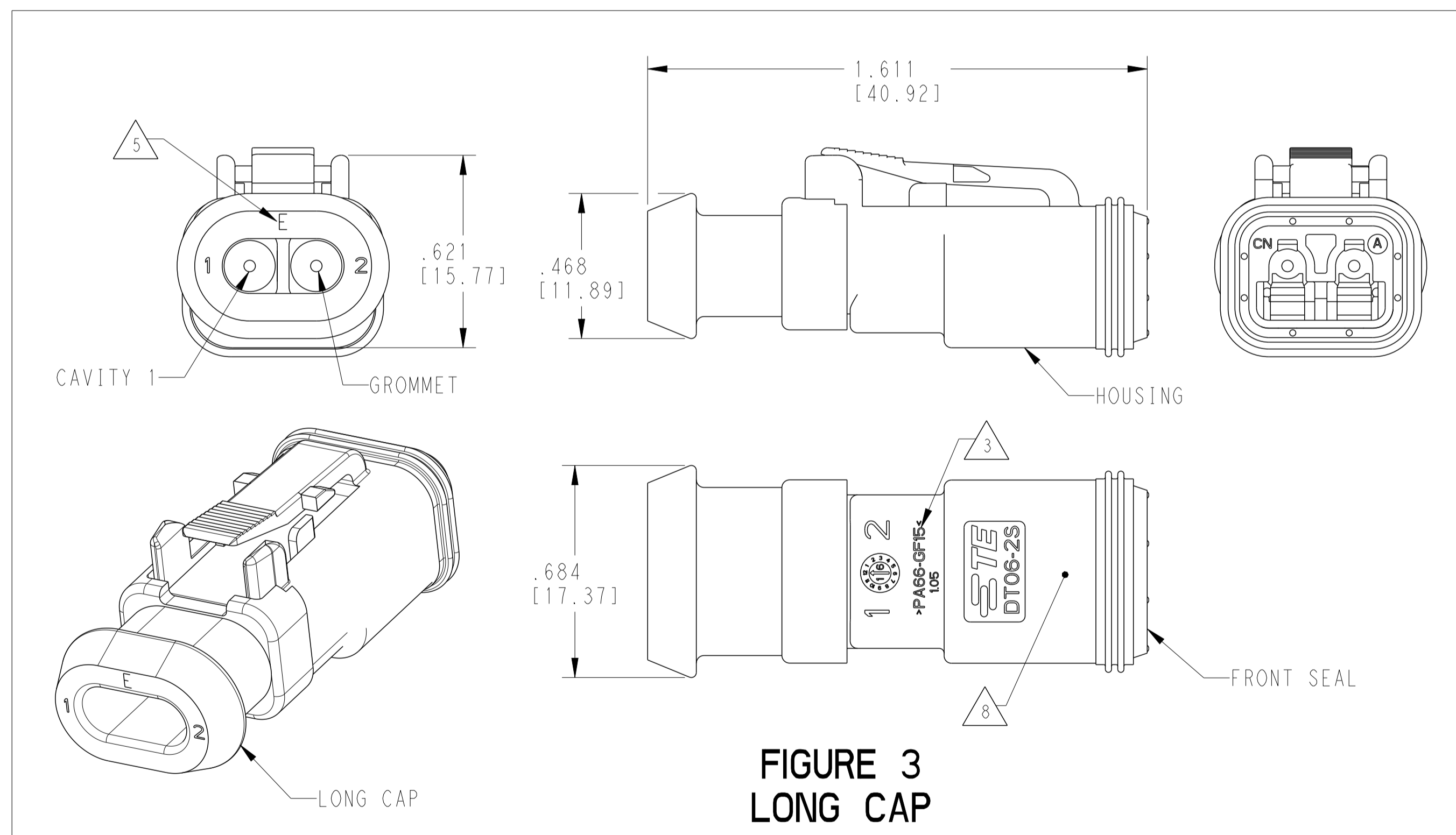


FIGURE 3
LONG CAP

CONTACT SIZE	WIRE RANGE	INSULATION OD SEALING RANGE	SEAL IDENTIFICATION
16	14-20 AWG [2.5-0.5mm ²]	.088 - .145 [2.23-3.68]	STANDARD SEAL
		.053 - .120 [1.35-3.05]	EXTRA THIN SEAL E-SEAL

TE INTERNAL PART NUMBER	DEUTSCH PART NUMBER	PN REV	COLOR	STANDARD SEAL GROMMET	EXTRA THIN SEAL E-SEAL GROMMET	SHORT CAP	LONG CAP	FIGURE
DT06-2S	DT06-2S	A	GREY	X				1
DT06-2S-C015	DT06-2S-C015	F	GREY		X			1
DT06-2S-CE01	DT06-2S-CE01	D	GREY		X	X		2
DT06-2S-CE03	DT06-2S-CE03	B	BLACK		X	X		2
DT06-2S-CE04	DT06-2S-CE04	B	GREY		X		X	3
DT06-2S-CE05	DT06-2S-CE05	B	BLACK		X	X		2
DT06-2S-CE06	DT06-2S-CE06	B	BLACK		X			1
DT06-2S-CE13	DT06-2S-CE13	B	BLACK		X		X	3
DT06-2S-E003	DT06-2S-E003	A	GREY	X		X		2
DT06-2S-E004	DT06-2S-E004	A	BLACK	X				1
DT06-2S-E005	DT06-2S-E005	A	BLACK	X		X		2
DT06-2S-E008	DT06-2S-E008	A	GREY	X			X	3
DT06-2S-EP04	DT06-2S-EP04	B	GREY	X		X		2
DT06-2S-EP06	DT06-2S-EP06	B	BLACK	X		X		2
DT06-2S-EP11	DT06-2S-EP11	A	BLACK	X			X	3
DT06-2S-P004	DT06-2S-P004	A	GREY	X				1
DT06-2S-P012	DT06-2S-P012	A	BLACK	X				1

3 MATERIAL: HOUSING: PA66 GF15, SEE TABLE FOR COLOR
 SHORT, LONG CAP: PA66 GF15, SEE TABLE FOR COLOR
 GROMMET: E-SEAL VMQ (BURNT RED)
 N-SEAL VMQ (RED-ORANGE)
 FRONT SEAL: VMQ (RED-ORANGE),

2. THIS PLUG MATES WITH DT04-2P-XXXX RECEPTACLE.
 (XXXX = ALL MODIFICATIONS)

1. SECONDARY WEDGE LOCK SOLD SEPARATELY: W2SX-XXXX.
 (X = A,B,C,D KEY, XXXX = ALL MODIFICATIONS)
 W2S OR W2S-P012 MAY BE USED WITH THESE PLUGS,
 W2S-P012 IS RECOMMENDED.

NOTES: UNLESS OTHERWISE SPECIFIED

7 XXXX IDENTIFIES THE MODIFICATION NUMBER,
 IF APPLICABLE. EXAMPLE: "E003" FOR DT06-2S-E003,
 OR BLANK FOR DT06-2S.

6. FOR CONTACTS AND WIRE PERFORMANCE AND APPLICATION
 CHARACTERISTICS SEE CUSTOMER DRAWING 0425-015-0000.

5 "E" IDENTIFIES E-SEAL.

4 DATE CODE: IDENTIFIES THE YEAR, MONTH, DAY AND HOUR OF ASSEMBLY.
 YEAR: FIRST AND SECOND DIGITS. (17 = 2017)
 MONTH: THIRD DIGIT, EXCLUDING I. A = JAN, B = FEB,
 C = MARCH . . . (K = OCTOBER)
 DAY: FOURTH AND FIFTH DIGITS (14 = 14th DAY)
 HOUR: SIXTH AND SEVENTH DIGITS (11 = 11AM)

8 ADDITIONAL MARKING PER NOTE 4 AND 7
 EXCLUSIVELY FOR PARTS WITH CAPS PRODUCED
 IN CHINA.

THIS DRAWING IS A CONTROLLED DOCUMENT. DWN: J. MEYER, 24OCT2016
 CHK: D. MEYER, 24OCT2016
 APVD: D. MEYER, 24OCT2016

TE Connectivity

2 WAY PLUG, STANDARD SEAL
 EXTRA THIN SEAL SHORT CAP AND
 LONG CAP, DT SERIES

SIZE: A1 CAGE CODE: 114-151009 DRAWING NO: 114-151009
 WEIGHT: 0.10g

CUSTOMER DRAWING SCALE: 3:1 SHEET: 1 OF 1 REV: C

X-ON Electronics

Largest Supplier of Electrical and Electronic Components

Click to view similar products for [Circular MIL Spec Tools, Hardware & Accessories](#) *category:*

Click to view products by [TE Connectivity](#) *manufacturer:*

Other Similar products are found below :

[0113-201-2025](#) [6134-333-1990](#) [6134-334-1590](#) [6134-334-2190](#) [6134-336-11149](#) [6134-336-19149](#) [6134-337-21149](#) [6134-342-13149](#) [6134-342-19149](#) [CS3102A-22-14PW](#) [M38999/9-19B](#) [630A007NF083A](#) [630B007M051A](#) [630BJ003NF032H](#) [M39029/29-215](#) [6408-203V-09273](#) [6408-203V-17343](#) [6426-201-11343](#) [650FS002NF16](#) [660-008NF14S7-01](#) [660-009M22H8-03](#) [660-012M25S6-02](#) [660-013NF19U6-210](#) [660-015M10S6-17](#) [660-015NF10S5-01](#) [660-015NF14R3.5-01](#) [660-023NF19H6-19](#) [660-024NF11S12-01](#) [660-024NF11S3-01](#) [660-024NF17S4-109](#) [660-068NF25R6-30G](#) [660-070M23S8-04](#) [660-073MTCH9-20](#) [M83723/60-116RC](#) [M83723/61-18W](#) [M83723/61-218R](#) [M83723/61-224W](#) [M85049/96-7-A](#) [M855282-10A01A](#) [M85528/2-22AA](#) [M855282-37A01](#) [809-035M07W](#) [G8994-14NF](#) [97-22-1S](#) [97-24-28P\(431\)](#) [97-28-11S\(431\)](#) [97-28-21S\(431\)](#) [97-3066-8](#) [97-3108A-22\(850\)](#) [1226-201-11228](#)