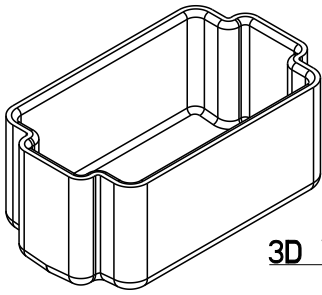
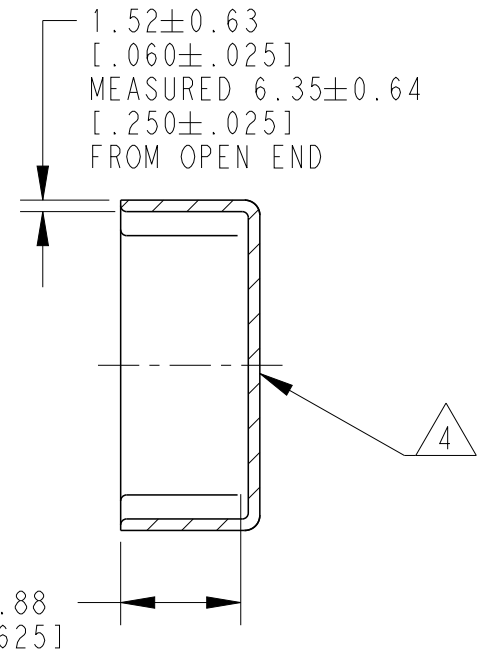
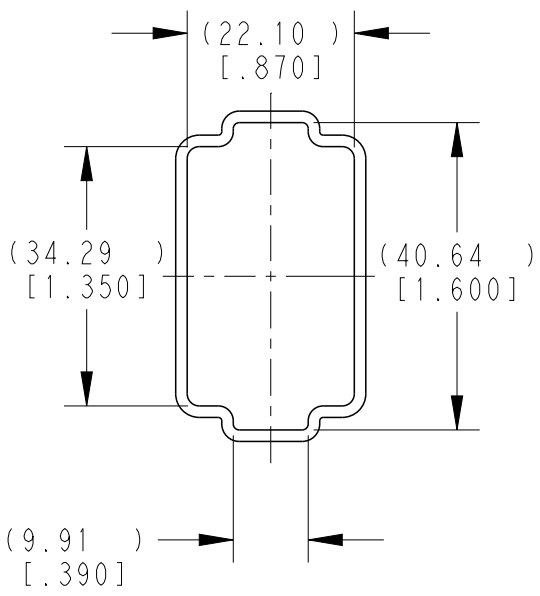


REVISIONS					
P	LTR	DESCRIPTION	DATE	DWN	APVD
	A	NEW RELEASE PER ECO-14-008764	27JUN2014	DM	DM
	A1	REVISED PER ECR-18-006853	03MAY2018	JA	DM
	A2	REVISED PER PCN E-20-5815	21APR2020	AP	IG



3D VIEW




5. SMALL NON-FILLS ARE ACCEPTABLE INSIDE OF PART, INCLUDING SUPPLIER MARKING.
4. SMALL MATERIAL EXTENSION IS ACCEPTABLE ON THIS END ALL AROUND. WALL THICKNESS ON THIS END MAY VARY.
3. THIS ACCESSORY PART IS PROVIDED WITHOUT TYPICAL TRANSPORTATION INDUSTRY PROCESS CONTROLS. NO VALIDATION TESTING HAS BEEN PERFORMED. CUSTOMER IS RESPONSIBLE FOR DETERMINING PRODUCT PERFORMANCE AND SUITABILITY FOR APPLICATION.
2. TEMPERATURE RATING: -29°C TO +100°C [-20°F TO +212°F]
1. THIS PART IS USED ON DT04-12PX (X=A,B,C,D KEYS) RECEPTACLES WITH ANY MODIFICATION.

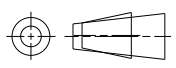
NOTES:

TE INTERNAL PN	DEUTSCH PN
DT12P-DC	DT12P-DC

DIMENSIONS: MM [INCH]	
TOLERANCES UNLESS OTHERWISE SPECIFIED:	
0 PLC	±
1 PLC	±
2 PLC	±0.63 [.025]
3 PLC	±
4 PLC	±
ANGLES	±5°

DWN D. MEYER	27JUN2014
CHK R. MESSENGER	27JUN2014
APVD D. MEYER	27JUN2014
PRODUCT SPEC	
APPLICATION SPEC	
WEIGHT	6.00 g

MATERIAL	PVC	FINISH	GRAY
 TE Connectivity			
NAME DUST CAP, RECEPTACLE, 12PIN DT SERIES			
SIZE	CAGE CODE	DRAWING NO	RESTRICTED TO
A 4	00779	©-DT12P-DC	-



CUSTOMER DRAWING	SCALE	1:1	SHEET	1 OF 1	REV	A2
------------------	-------	-----	-------	--------	-----	----

2020  
 RELEASED FOR PUBLICATION  
 THIS DRAWING IS UNPUBLISHED.  
 © COPYRIGHT 2020  
 TE Connectivity. All Rights Reserved.

## X-ON Electronics

Largest Supplier of Electrical and Electronic Components

*Click to view similar products for [Automotive Connectors](#) category:*

*Click to view products by [TE Connectivity](#) manufacturer:*

Other Similar products are found below :

[003-018-000](#) [60403001](#) [60993906-B](#) [M902-2131](#) [M902-2161](#) [M902-2344](#) [72.330.1035.1](#) [73.353.4028.0](#) [F119300-B](#) [F166900](#) [F258300-B](#)  
[F358300-B](#) [F407400](#) [F444110](#) [F487000](#) [F509500B-B](#) [827153-1](#) [8N1515-32-24P](#) [9-1326729-8](#) [925474-1](#) [928905-1](#) [964562-4](#) [968782-1](#)  
[GT17SA-8DS-HU](#) [98891-1012](#) [98947-1016](#) [12004147](#) [12004475-L](#) [12010290](#) [12010309-B](#) [12015454](#) [12020219-B](#) [12041318-B](#) [12052225-](#)  
[L](#) [12052466](#) [12064869](#) [12004327-B](#) [12015308](#) [12015384](#) [12015909](#) [1-21030-1](#) [12041254](#) [12041318](#) [12047946-B](#) [12047957](#) [12047957-L](#)  
[12059473](#) [12066261](#) [12110546](#) [12110546-B](#)