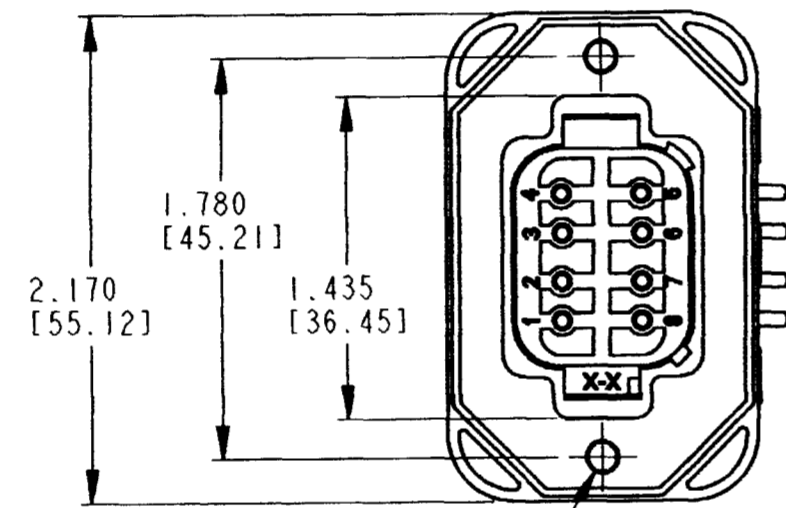
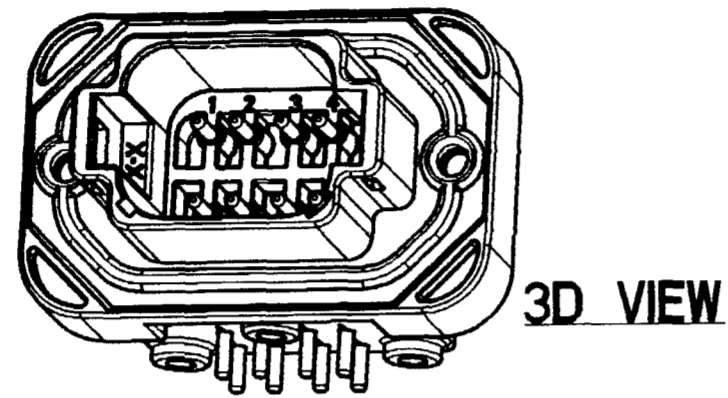
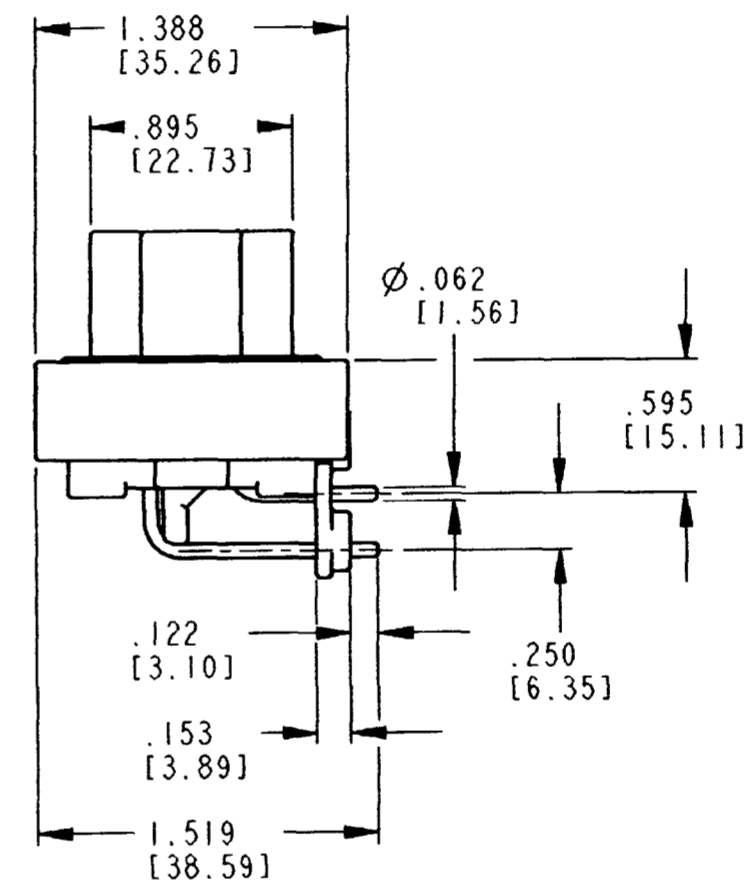
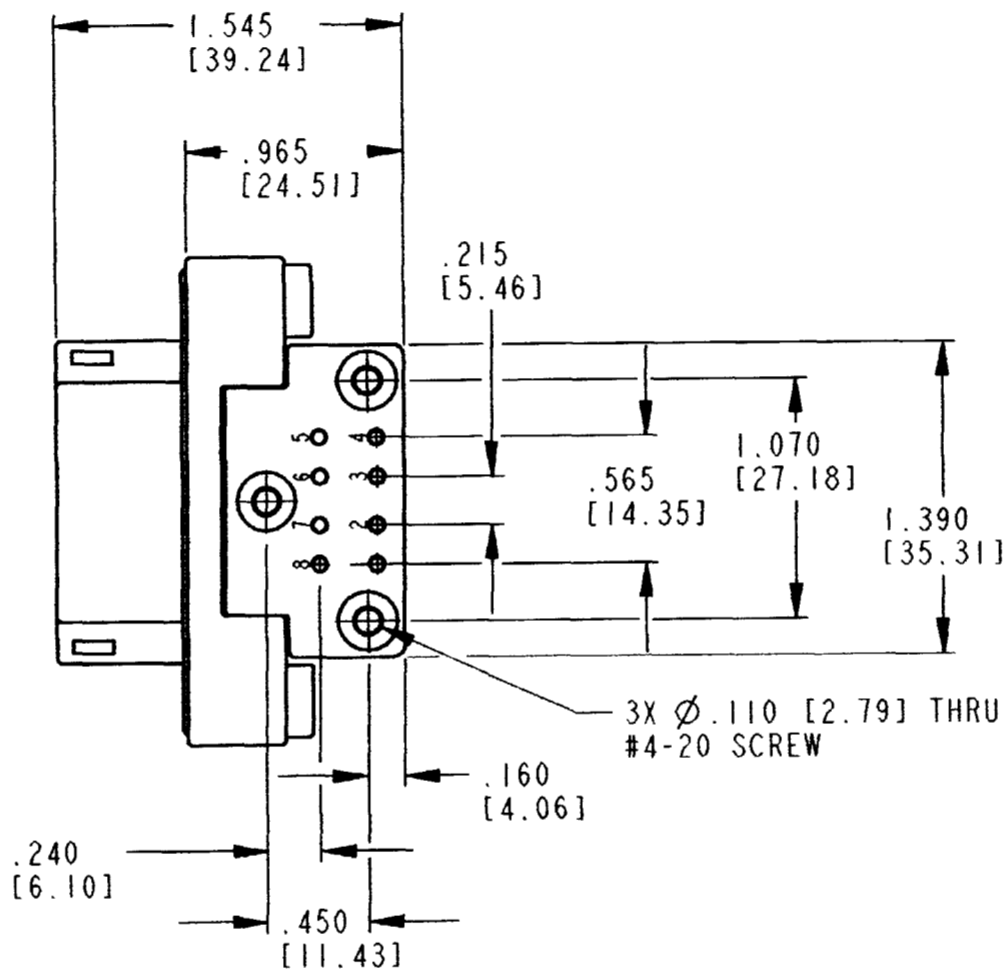


REV
C DT13-08P *

REVISIONS			
SYM	DESCRIPTION	DATE	APPROVED
NC	NEW RELEASE PER E.O. A13624	6/29/94	J.A.
A	REVISED PER E.O. A14754	10/28/94	R.R.
B	REACTIVATED PER E.O. P17409	10/23/01	R.D.R.
C	REVISED PER E.O. P19404	11-20-06	ADR



∅.130 [3.30] BLIND HOLE
∇.425 [10.80] #6-19 SCREW
FLANGE SEAL NOT SHOWN FOR CLARITY.



6. MOUNTING SCREW TORQUE VALUES ARE AS FOLLOWS:
#6-19 SCREWS: 13±2.0 IN-LB [1.47±0.23 N-M].
#4-20 SCREWS: 8±2.0 IN-LB [0.90±0.23 N-M].
VALUES VALID FOR PLASTITE 48 SCREWS ONLY.
5. RECOMMENDED MOUNTING SCREWS (NOT INCLUDED): CAMCAR PLASTITE 48.
4. THIS RECEPTACLE MATES WITH DT06-8S* PLUG -****- ALL MODIFICATIONS.
3. SHELL MATERIAL: PLASTIC; FLANGE SEAL MATERIAL: RUBBER.
2. DIMENSION TOLERANCE: ±.025 [0.64]; FOR PANEL CUTOUTS ±.010 [0.25].

NOTES: 1. DIMENSIONS ARE IN INCHES [mm].

SIGNATURE & DATE	
DR	P. BURKE 09/05/01
CHK	<i>[Signature]</i> 11/20/06
PE	<i>[Signature]</i> 11-15-06
APPD	<i>[Signature]</i> 11-20-06
SCALE	NONE WT

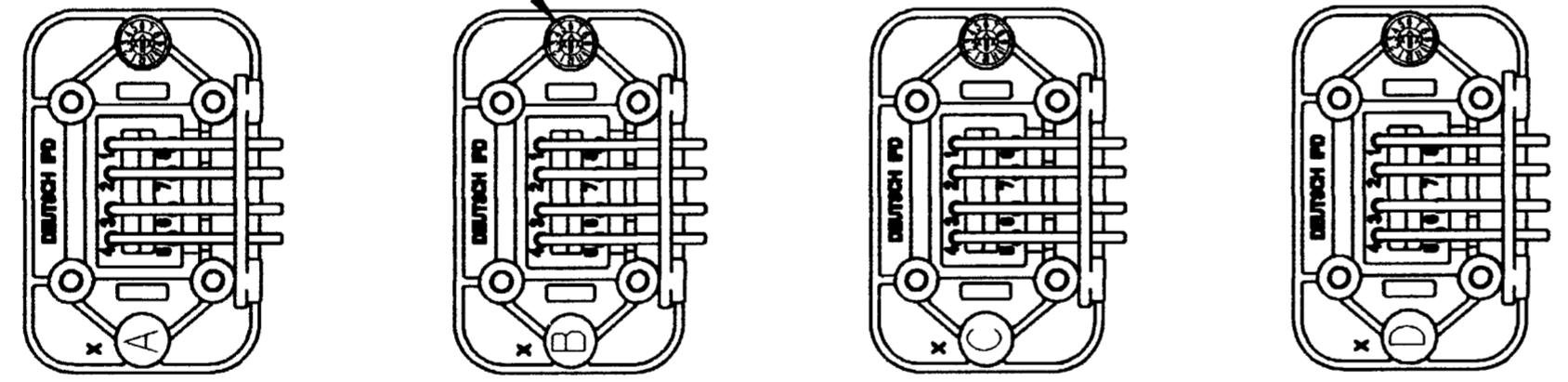
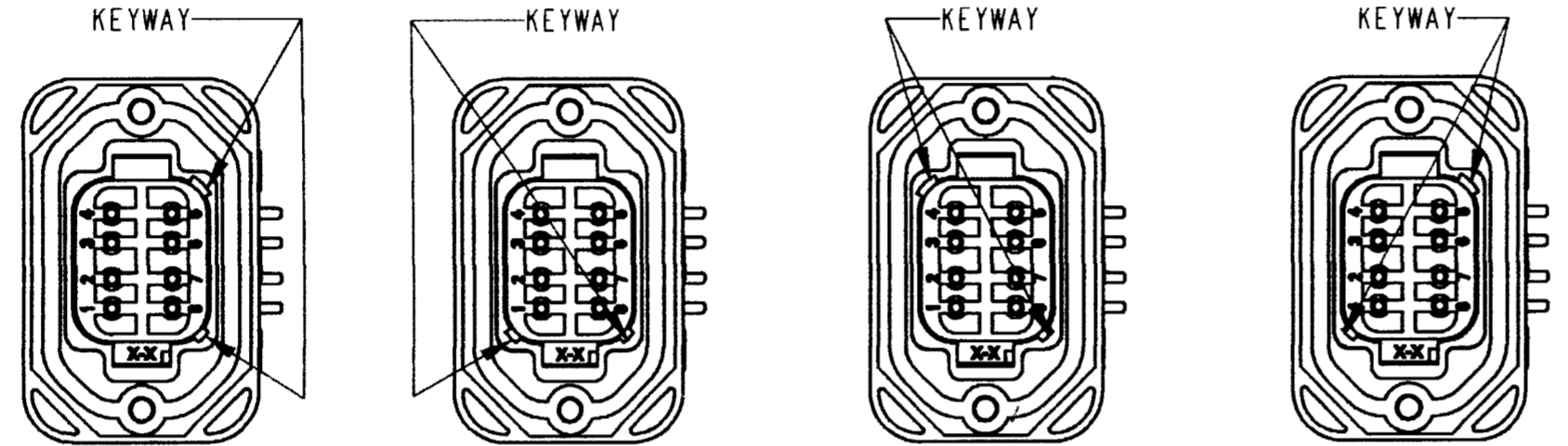
PCB MOUNT
RECEPTACLE
8 PIN - 90° TAILS
DT SERIES

ENVELOPE

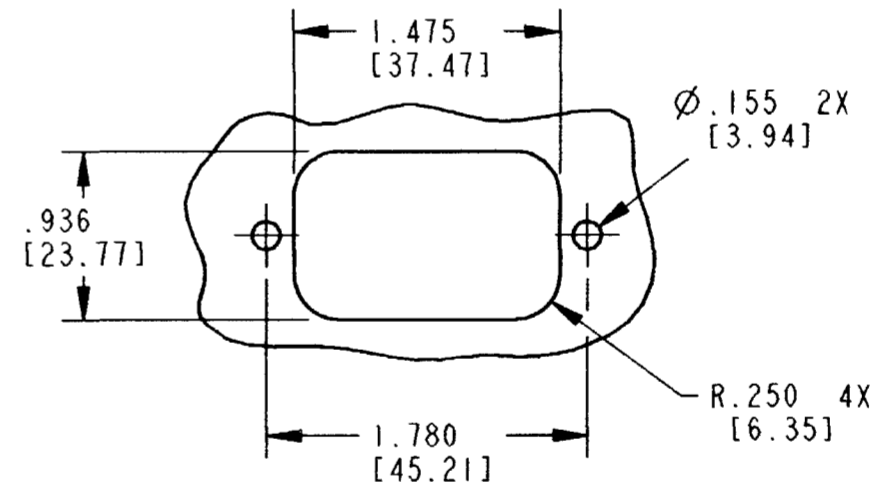
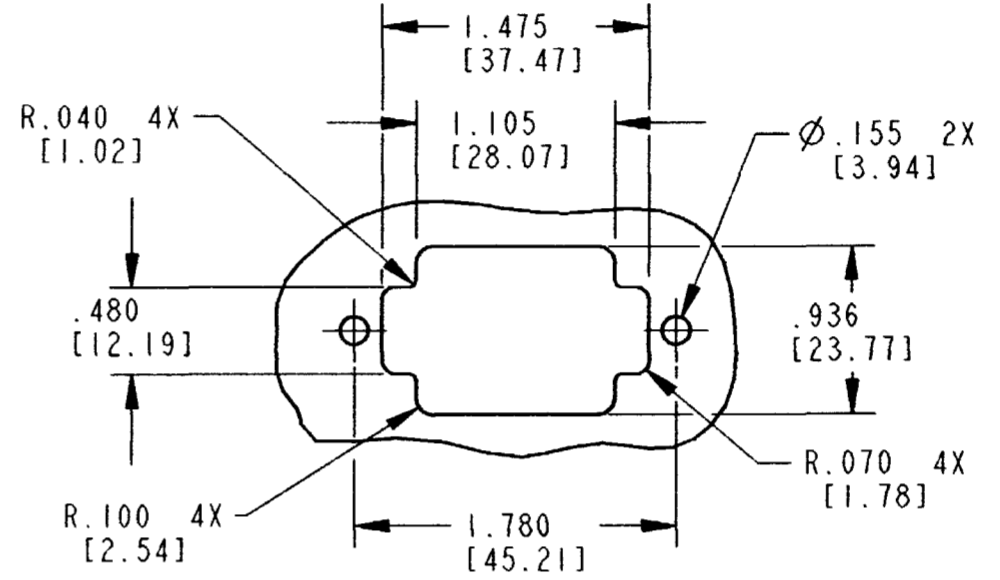
EP	MATL. CODE
The Deutsch Company DEUTSCH I.P.D. 3850 INDUSTRIAL AVE. HEMET, CALIF. 92545	
B	DT13-08P *
DWG SIZE	CODE 11139 SHEET 1 OF 2

REV
C DT13-08P*

REVISIONS			
SYM	DESCRIPTION	DATE	APPROVED
C	SEE SHEET ONE	11-20-06	ADR



DT13-08PA COLOR: GREY
 DT13-08PB COLOR: BLACK
 DT13-08PC COLOR: GREEN
 DT13-08PD COLOR: BROWN



RECOMMENDED PANEL CUTOUTS

NOTES:

SIGNATURE & DATE	
DR	P. BURKE 09/05/01
CHK	[Signature] 11/13/06
PE	[Signature] 11-2-06
APPD	[Signature] 11-7-06
SCALE	NONE
WT	

PCB MOUNT
 RECEPTACLE
 8 PIN - 90° TAILS
 DT SERIES

ENVELOPE

EP	MATL. CODE
The Deutsch Company DEUTSCH I.P.D. 3850 INDUSTRIAL AVE. HEMET, CALIF. 92545	
B	DT13-08P*
DWG SIZE	CODE 11139 SHEET 2 OF 2

X-ON Electronics

Largest Supplier of Electrical and Electronic Components

Click to view similar products for [Automotive Connectors](#) category:

Click to view products by [TE Connectivity](#) manufacturer:

Other Similar products are found below :

[003-018-000](#) [60403001](#) [60993906-B](#) [M902-2131](#) [M902-2161](#) [72.330.1035.1](#) [73.353.4028.0](#) [F119300-B](#) [F166900](#) [F258300-B](#) [F358300-B](#)
[F407400](#) [F444110](#) [F487000](#) [F509500B-B](#) [827153-1](#) [8N1515-32-24P](#) [9-1326729-8](#) [925474-1](#) [928905-1](#) [964562-4](#) [968782-1](#) [GT17SA-8DS-](#)
[HU](#) [98891-1012](#) [98947-1016](#) [12004147](#) [12004475-L](#) [12010290](#) [12010309-B](#) [12015454](#) [12020219-B](#) [12020308](#) [12041318-B](#) [12052225-L](#)
[12052466](#) [12059125](#) [12064869](#) [12004327-B](#) [12010503-B](#) [12015308](#) [12015384](#) [12015909](#) [1-21030-1](#) [12041254](#) [12041318](#) [12047946-B](#)
[12047957](#) [12047957-L](#) [12059473](#) [12066261](#)