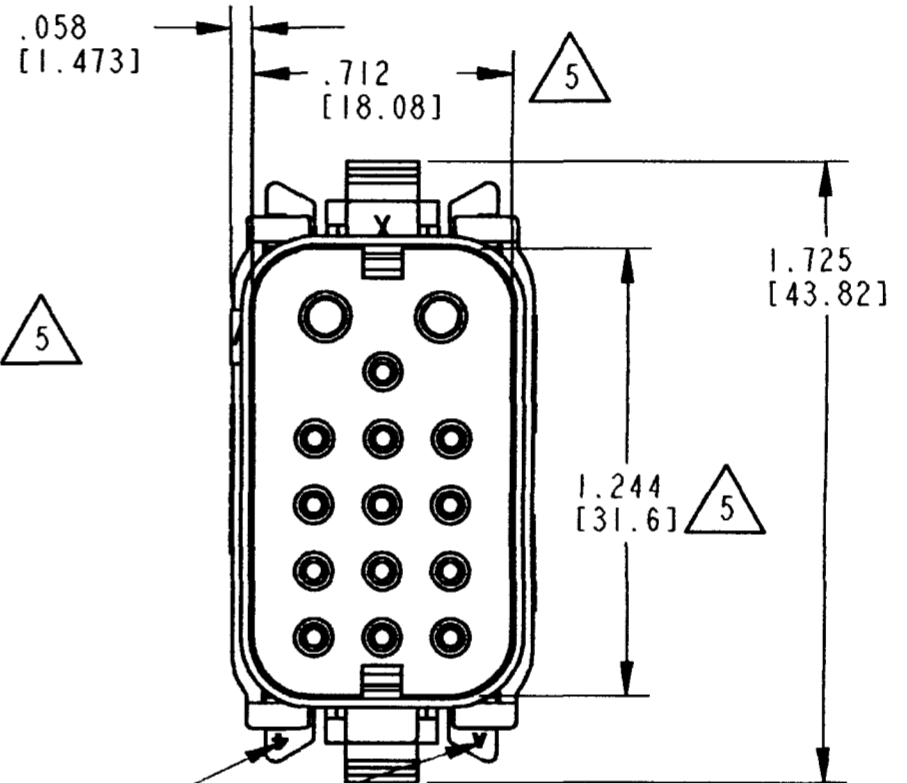
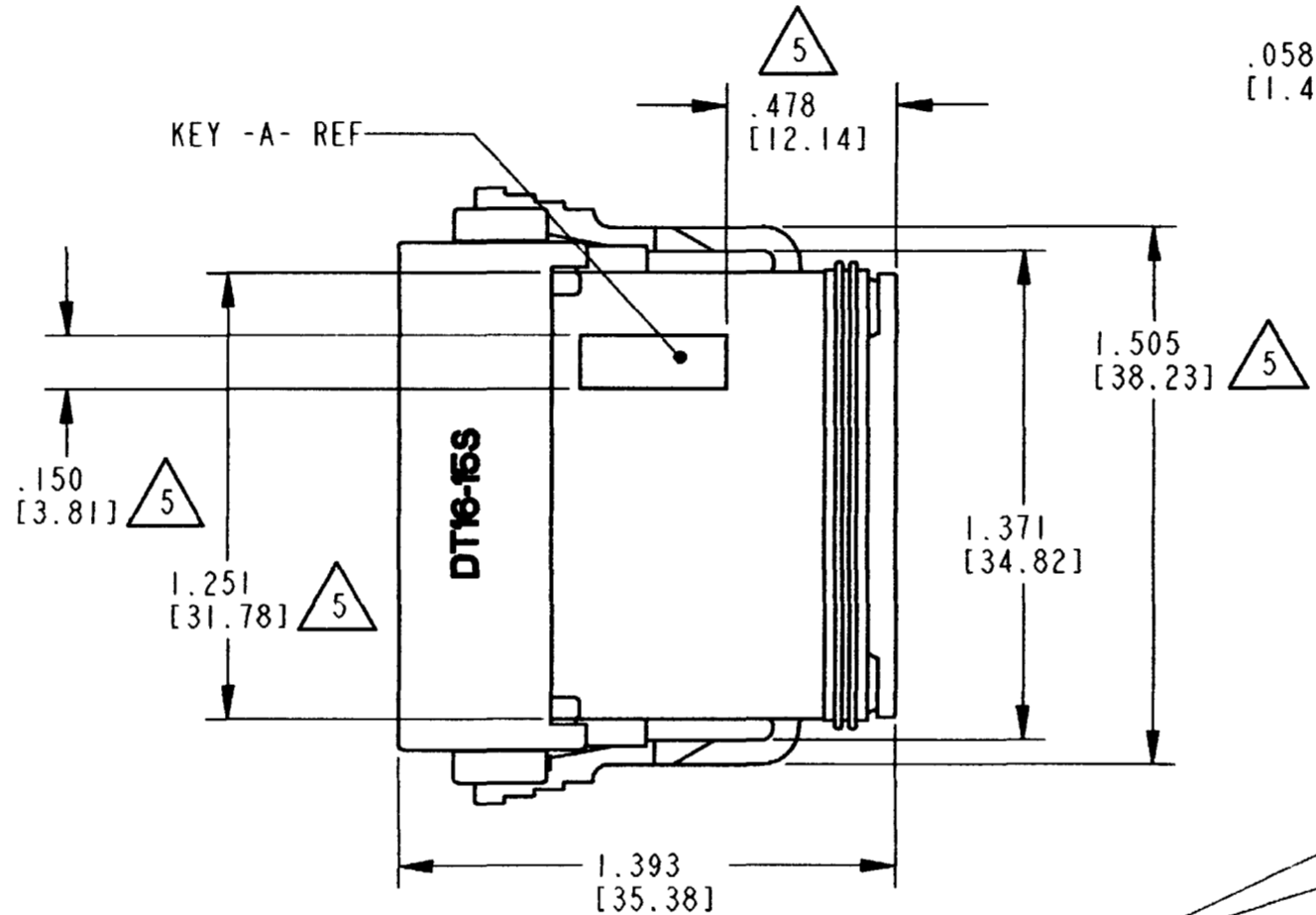
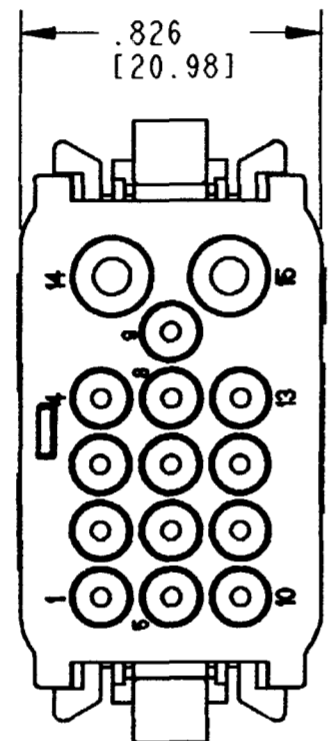


CONTACT SIZE	MIN. INSUL. O.D.	MAX. INSUL. O.D.	WIRE RANGE [mm ²] ³
16 (13PL)	.053 [1.35]	.120 [3.05]	14-20 AWG [2.0-0.5]
12 (2PL)	.097 [2.46]	.158 [4.01]	12-14 AWG [3.0-2.0]

REV
E DT16-15SX-K003

REVISIONS			
SYM	DESCRIPTION	DATE	APPROVED
B	REVISED PER E.O. P18575	10/21/04	R.D.R
C	REVISED PER E.O. P18753	2/3/05	R.D.R
D	REVISED PER E.O. P19014	8/22/05	R.D.R
E	REVISED PER E.O. P19253	5-16-06	RDR



- ⁵ DIMENSIONS HELD BY DESIGN CONTROLS.
4. MATERIAL: SHELL: PLASTIC; COLOR: BLACK
SEAL: RUBBER
- ³ FOR CONTACTS AND WIRE PERFORMANCES AND APPLICATION CHARACTERISTICS SEE ENVELOPE DRAWINGS 0425-015-0000 AND 0425-017-0000.
2. DIMENSIONS ARE ±.025 [.64] UNLESS OTHERWISE SPECIFIED.
1. ALL DIMENSIONS ARE IN INCHES [MILLIMETERS].
- NOTES:

DATE CODE
MONTH IS REPRESENTED BY SEQUENTIAL ALPHA CHARACTERS
EX: A = JANUARY
YEAR IS REPRESENTED BY LAST NUMERICAL DIGIT
EX: 4 = 2004

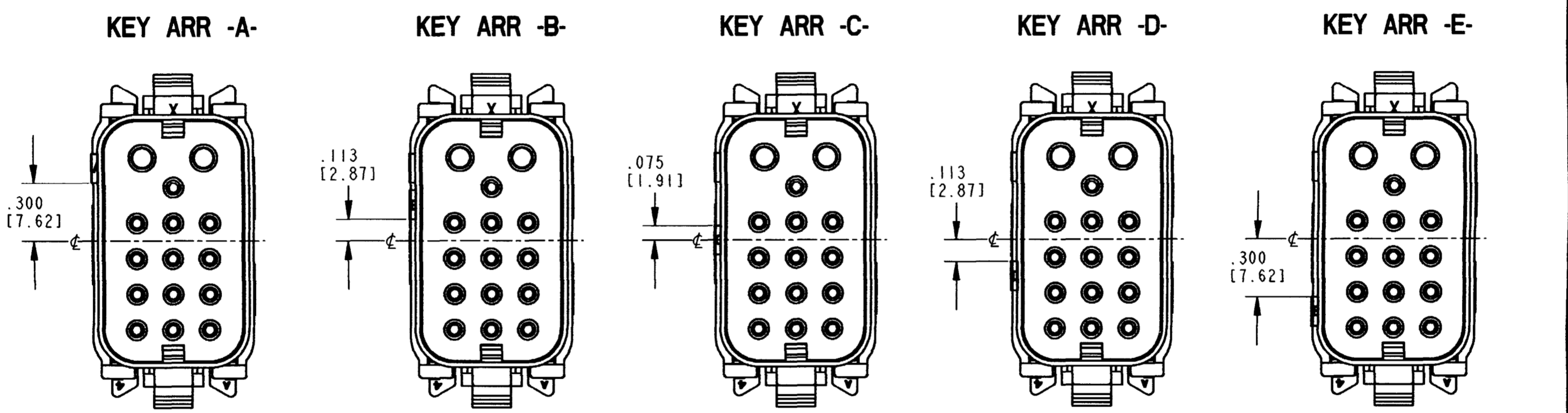
SIGNATURE & DATE	
DR	X. SANCHEZ 21NOV02
CHK	D. MEYER 5/15/06
PE	[Signature]
APPD	S. BLUM 15-15-06
SCALE	NONE
WT	

15 WAY PLUG
2 SIZE #12 AND
13 SIZE #16 CONTACTS
K003 MOD.
D.T. SERIES

ENVELOPE

CP	MATL. CODE
The Deutsch Company DEUTSCH I.P.D. 3850 INDUSTRIAL AVE. HEMET, CALIF. 92545	
B	DT16-15SX-K003
DWG SIZE	CODE 11139 SHEET 1 OF 2

REV E	DT16-15S*-K003	REVISIONS		
SYM	DESCRIPTION	DATE	APPROVED	
B	REVISED PER E.O. P18575	10/21/04	R.D.R	
C	REVISED PER E.O. P18753	2/3/05	R.D.R.	
D	REVISED PER E.O. P19014	8/22/05	R.D.R	
E	REVISED PER E.O. P19253	5-16-06	RDR	



NOTES:

SIGNATURE & DATE		15 WAY PLUG 2 SIZE #12 AND 13 SIZE #16 CONTACTS K003 MOD. D.T. SERIES	CP	MATL. CODE		
DR	X. SANCHEZ 21NOV02		The Deutch Company DEUTSCH I.P.D. 3850 INDUSTRIAL AVE. HEMET, CALIF. 92545			
CHK	Dmex 5/15/06		B	DT16-15S*-K003		
PE	Josh Plem 5/12/06			DWG SIZE	CODE 11139	SHEET 2 OF 2
APPD	S Bend 5-12-06					
SCALE	NONE	WT	ENVELOPE			

X-ON Electronics

Largest Supplier of Electrical and Electronic Components

Click to view similar products for [Automotive Connectors](#) category:

Click to view products by [TE Connectivity](#) manufacturer:

Other Similar products are found below :

[003-018-000](#) [60403001](#) [60993906-B](#) [M902-2131](#) [M902-2161](#) [M902-2344](#) [72.330.1035.1](#) [73.353.4028.0](#) [F119300-B](#) [F166900](#) [F258300-B](#)
[F358300-B](#) [F407400](#) [F444110](#) [F487000](#) [F509500B-B](#) [827153-1](#) [8N1515-32-24P](#) [9-1326729-8](#) [925474-1](#) [928905-1](#) [964562-4](#) [968782-1](#)
[GT17SA-8DS-HU](#) [98891-1012](#) [98947-1016](#) [12004147](#) [12004475-L](#) [12010290](#) [12015454](#) [12020219-B](#) [12041318-B](#) [12052225-L](#) [12052466](#)
[12064869](#) [12004327-B](#) [12015308](#) [12015384](#) [12015909](#) [1-21030-1](#) [12041254](#) [12041318](#) [12047946-B](#) [12047957](#) [12047957-L](#) [12059473](#)
[12066261](#) [12110546](#) [12110546-B](#) [12131792](#)