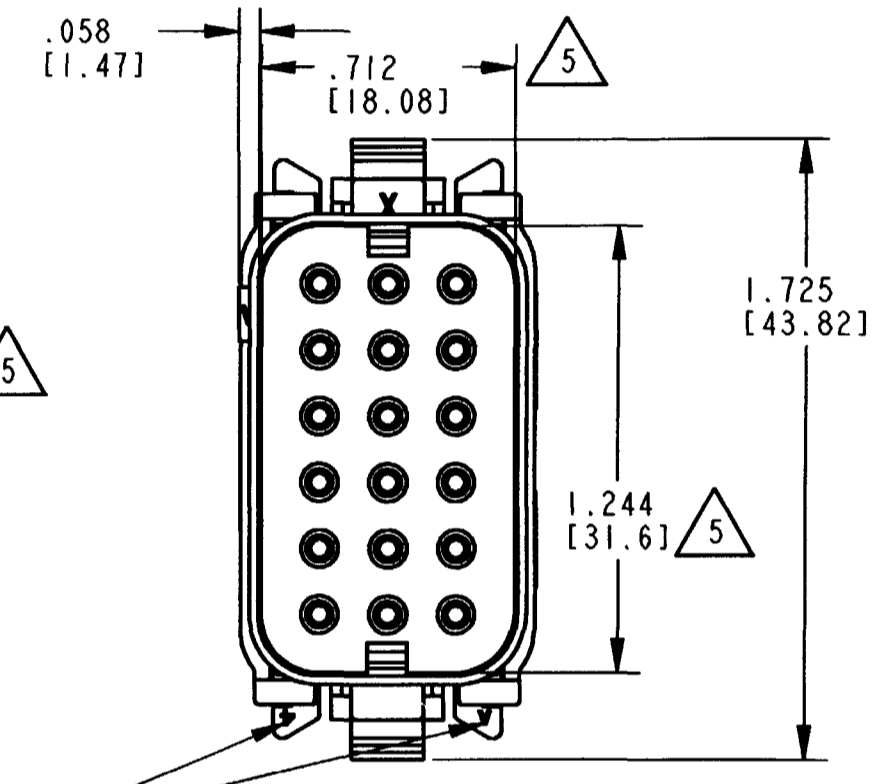
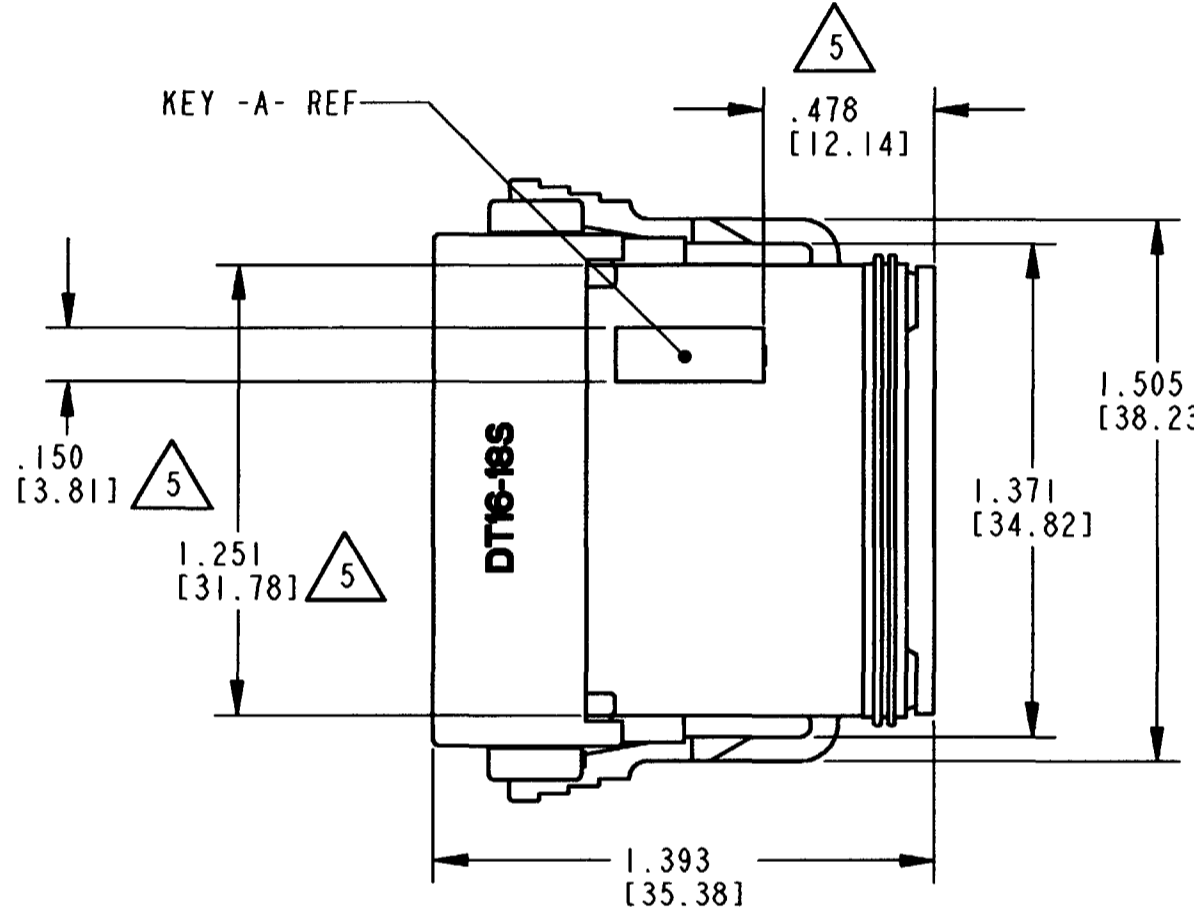
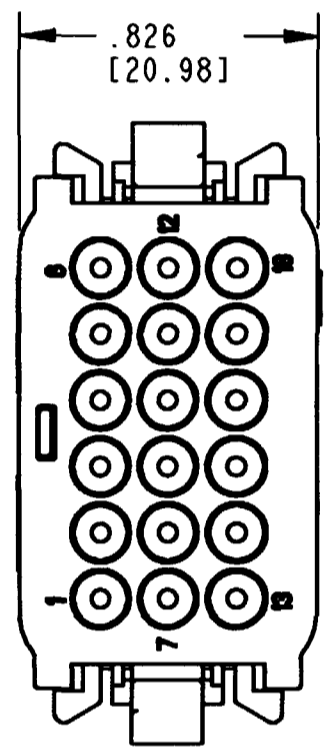


REV
NC DT16-18S*EK02

REVISIONS			
SYM	DESCRIPTION	DATE	APPROVED
NC	NEW RELEASE PER E.O. P19673	12-11-07	RDR



DATE CODE: MONTH IS REPRESENTED BY SEQUENTIAL ALPHA CHARACTERS EX: A = JANUARY
YEAR IS REPRESENTED BY LAST NUMERICAL DIGIT EX: 4 = 2004

5. DIMENSIONS HELD BY DESIGN CONTROLS.

4. MATERIAL: SHELL: PLASTIC
SEAL: RUBBER

3. FOR CONTACTS AND WIRE PERFORMANCES AND APPLICATION CHARACTERISTICS.
SEE ENVELOPE DRAWINGS 0425-015-0000 AND 0425-017-0000.

2. DIMENSIONS ARE ±.025 [.64] UNLESS OTHERWISE SPECIFIED.

1. ALL DIMENSIONS ARE IN INCHES [MILLIMETERS].

NOTES:

CONTACT SIZE	MIN. INSUL. O.D.	MAX. INSUL. O.D.	WIRE RANGE [mm ²]
16	.053 [1.35]	.120 [3.05]	14-20 AWG [2.0-0.5]

SIGNATURE & DATE	
DR	R. MESSENGER 11/14/07
CHK	[Signature] 12/17/07
PE	R. Messenger 1/26/07
APPD	[Signature] 11/30/07
SCALE	NONE
WT	

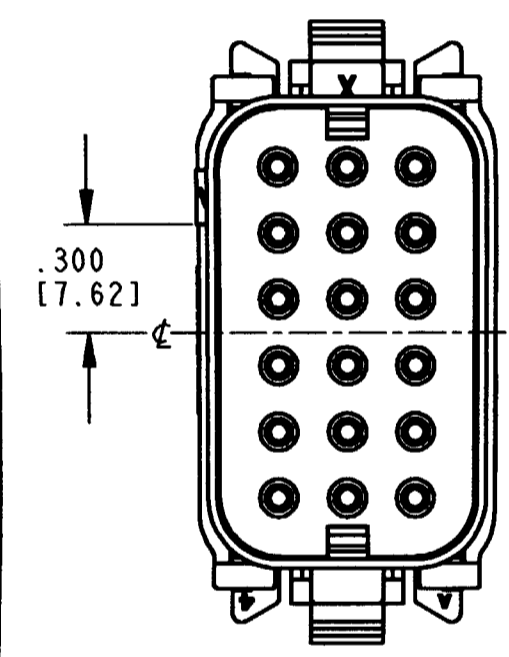
18 WAY PLUG
18 SIZE #16 CONTACTS
-EK02 MOD.
D.T. SERIES

ENVELOPE

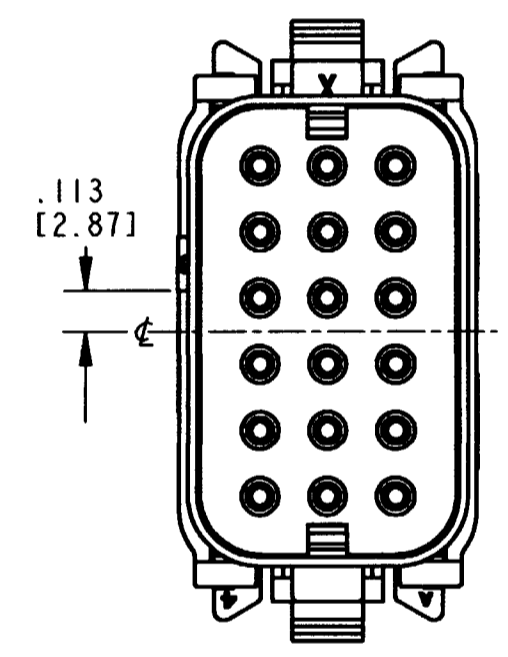
EP	MATL. CODE
3850 INDUSTRIAL AVE. HEMET, CA 92545	
DEUTSCH INDUSTRIAL	
B	DT16-18S*EK02
DWG. SIZE	CODE 7/139 SHEET 1 OF 2

REV NC	DT16-18S*-EK02	REVISIONS		
SYM	DESCRIPTION	DATE	APPROVED	
NC	NEW RELEASE PER E.O. P19673	12-11-07	ADR	

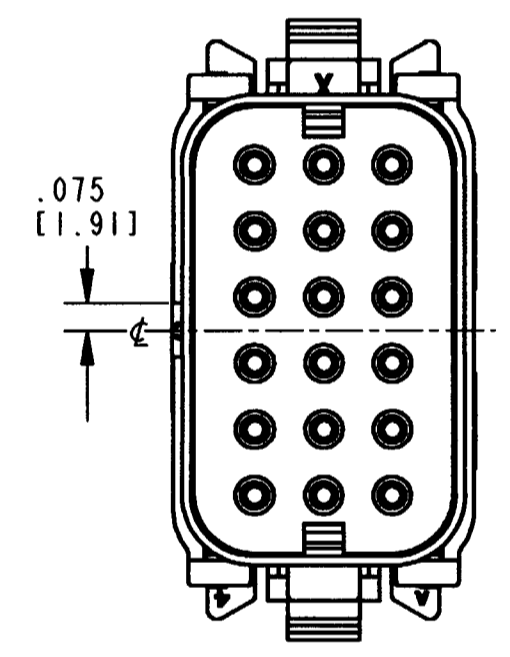
KEY ARR. -A-
GRAY



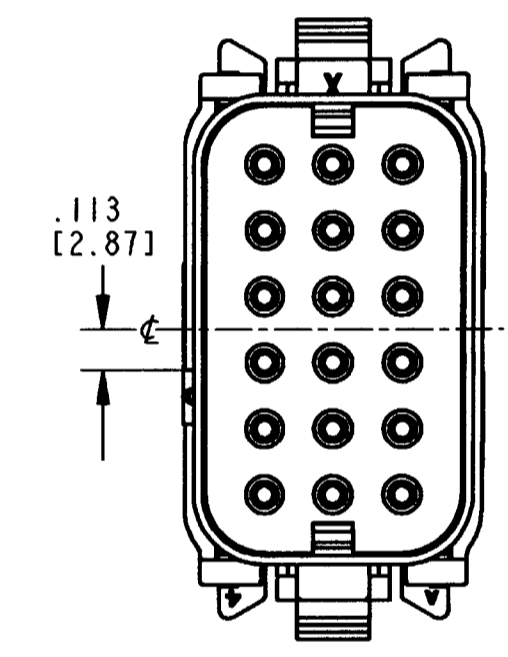
KEY ARR. -B-
BLACK



KEY ARR. -C-
GREEN



KEY ARR. -D-
BROWN



NOTES:

SIGNATURE & DATE		18 WAY PLUG 18 SIZE #16 CONTACTS -EK02 MOD. D.T. SERIES	EP	MATL. CODE
DR	R. MESSENGER 11/14/07		3850 INDUSTRIAL AVE. HEMET, CA 92545	
CHK	<i>[Signature]</i> 12/17/07		DEUTSCH INDUSTRIAL	
PE	R. Messenger 11/26/07		B DT16-18S*-EK02	
APPD	<i>[Signature]</i> 11-30-07		DWG SIZE	CODE 11139
SCALE	NONE	WT	ENVELOPE	

X-ON Electronics

Largest Supplier of Electrical and Electronic Components

Click to view similar products for [Automotive Connectors](#) category:

Click to view products by [TE Connectivity](#) manufacturer:

Other Similar products are found below :

[003-018-000](#) [60403001](#) [60993906-B](#) [M902-2131](#) [M902-2161](#) [M902-2344](#) [72.330.1035.1](#) [73.353.4028.0](#) [F119300-B](#) [F166900](#) [F258300-B](#)
[F358300-B](#) [F407400](#) [F444110](#) [F487000](#) [F509500B-B](#) [827153-1](#) [8N1515-32-24P](#) [9-1326729-8](#) [925474-1](#) [928905-1](#) [964562-4](#) [968782-1](#)
[GT17SA-8DS-HU](#) [98891-1012](#) [98947-1016](#) [12004147](#) [12004475-L](#) [12010290](#) [12010309-B](#) [12015454](#) [12020219-B](#) [12041318-B](#) [12052225-](#)
[L](#) [12052466](#) [12064869](#) [12004327-B](#) [12015308](#) [12015384](#) [12015909](#) [1-21030-1](#) [12041254](#) [12041318](#) [12047946-B](#) [12047957](#) [12047957-L](#)
[12059473](#) [12066261](#) [12110546](#) [12110546-B](#)