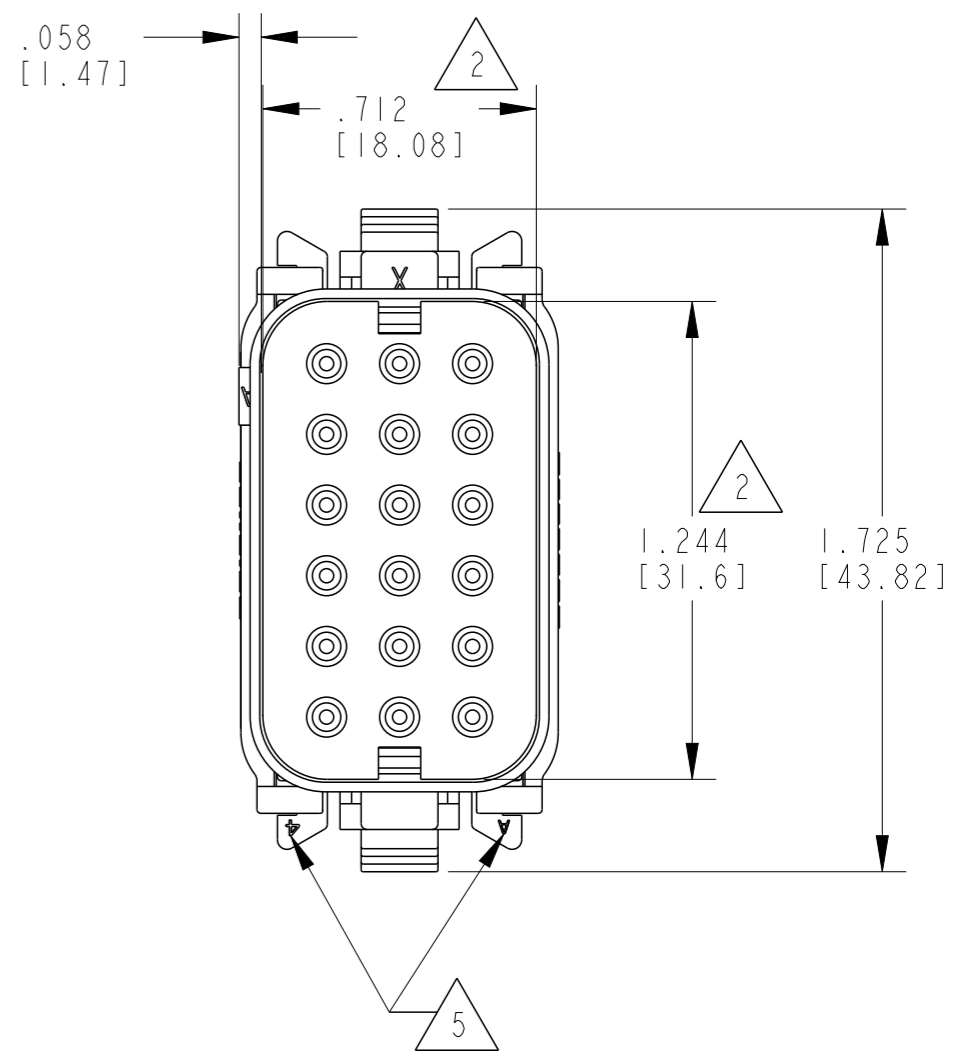
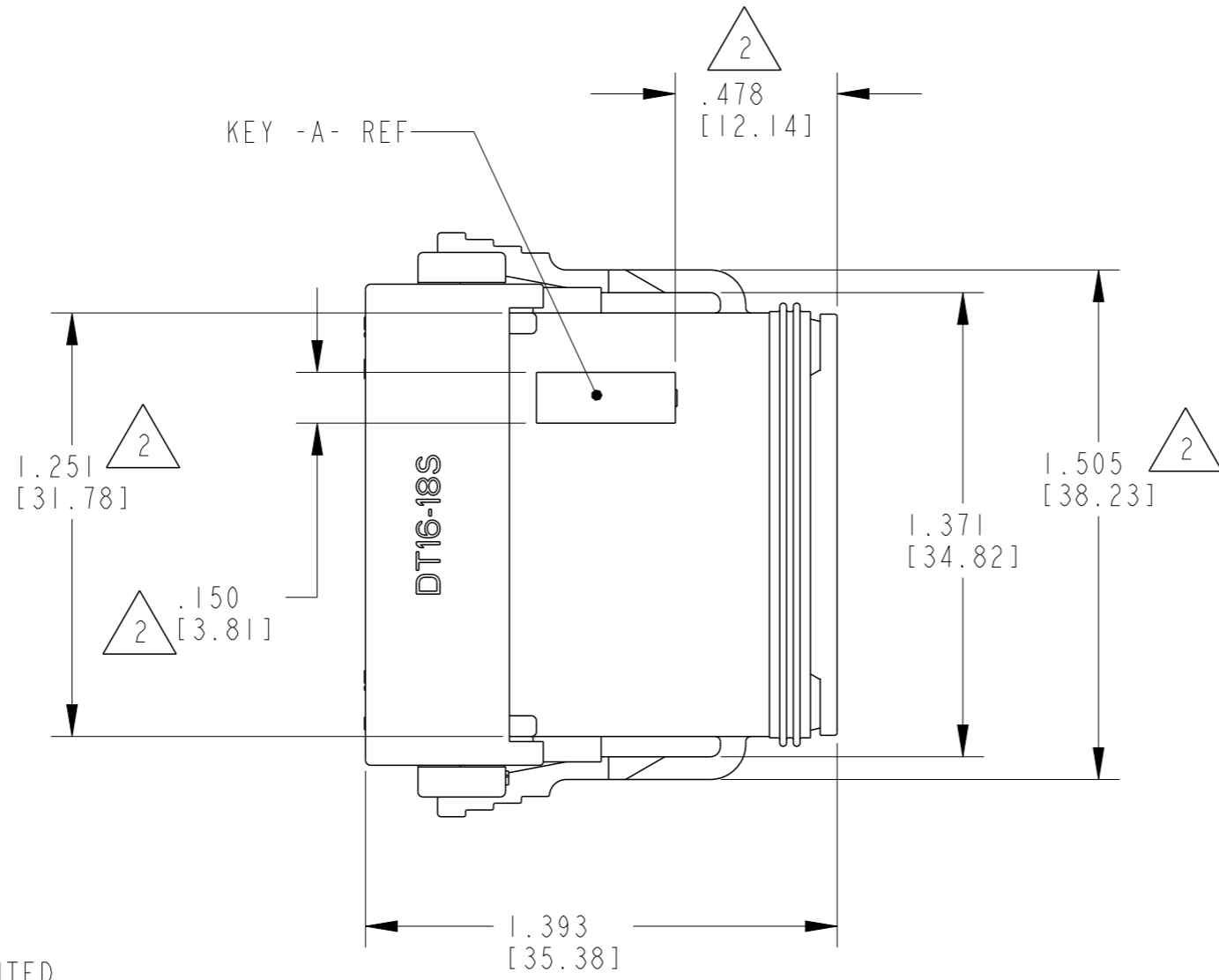
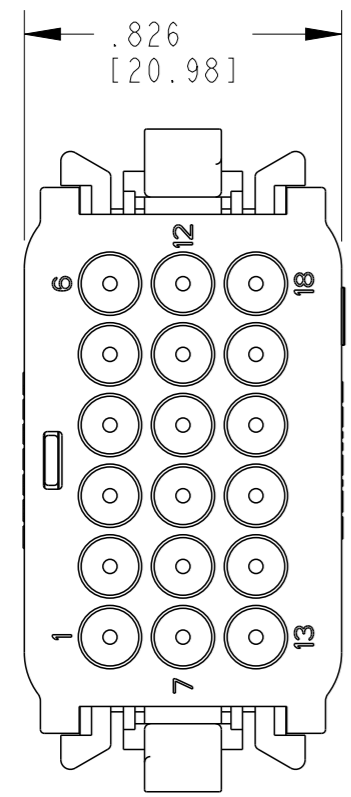


THIS DRAWING IS UNPUBLISHED
 RELEASED FOR PUBLICATION 2015
 © COPYRIGHT 2015 BY - TE CONNECTIVITY ALL RIGHTS RESERVED.

| LOC | | DIST | | REVISIONS | | | |
|-----|-----|-------------|---------------------------|-----------|-----|------|--|
| P | LTR | DESCRIPTION | | DATE | DWN | APVD | |
| - | - | E1 | REVISED PER ECO-15-011146 | 30JUL2015 | MGM | DM | |
| | | | | | | | |
| | | | | | | | |



5 DATE CODE: MONTH IS REPRESENTED BY SEQUENTIAL ALPHA CHARACTERS EX: A = JANUARY YEAR IS REPRESENTED BY LAST NUMERICAL DIGIT EX: 4 = 2004

4. SEE INTERFACE DRAWING, DT14-18PX-K004 FOR MATING RECEPTACLE INFORMATION

3. THE FOLLOWING SEALING PLUGS MAY BE USED
- 114017 SEALING PLUG
 - 776363-1 SEALING PLUG
 - 776364-1 SEALING PLUG
 - 0413-215-1605 SEALING KEYING PIN
 - 0413-217-1605 SEALING LOCKING PLUG
 - 0413-204-2005 SEALING PLUG

2. DIMENSIONS HELD BY DESIGN CONTROLS.

1. MATERIAL: SHELL: PLASTIC; COLOR: BLACK
 SEAL: RUBBER

| CONTACT SIZE | MIN. INSUL. O.D. | MAX. INSUL. O.D. | WIRE RANGE [mm ²] |
|--------------|------------------|------------------|-------------------------------|
| 16 | .053 [1.35] | .120 [3.05] | 14-20 AWG [2.0-0.5] |

| | | | | |
|--|--|--------------------------------|----------------------------|-----------------|
| THIS DRAWING IS A CONTROLLED DOCUMENT. | | DWN X. SANCHEZ 22NOV2002 | STE TE Connectivity | |
| DIMENSIONS: INCHES [mm] | | CHK DAVID MEYER 15MAY2006 | | |
| TOLERANCES UNLESS OTHERWISE SPECIFIED: | | APVD DAVID MEYER 15MAY2006 | NAME 18 WAY PLUG | |
| 0 PLC ± | | PRODUCT SPEC 108-151009 | 18 SIZE #16 CONTACTS | |
| 1 PLC ± | | APPLICATION SPEC 0425-017-0000 | -K004 MOD. D.T. SERIES | |
| 2 PLC ± | | WEIGHT - | SIZE A3 | CAGE CODE 4AFU8 |
| 3 PLC ±.025 [0.64] | | CUSTOMER DRAWING | DRAWING NO. DT16-18SX-K004 | RESTRICTED TO - |
| 4 PLC ± | | SCALE 2:1 | SHEET 1 OF 2 | REV E1 |
| ANGLES ± | | | | |
| FINISH - | | | | |

| LOC | DIST |
|-----|------|
| - | - |

| REVISIONS | | | | | |
|-----------|-----|-------------|------|-----|------|
| P | LTR | DESCRIPTION | DATE | DWN | APVD |
| | - | SEE SHEET 1 | - | - | - |
| | | | | | |
| | | | | | |
| | | | | | |

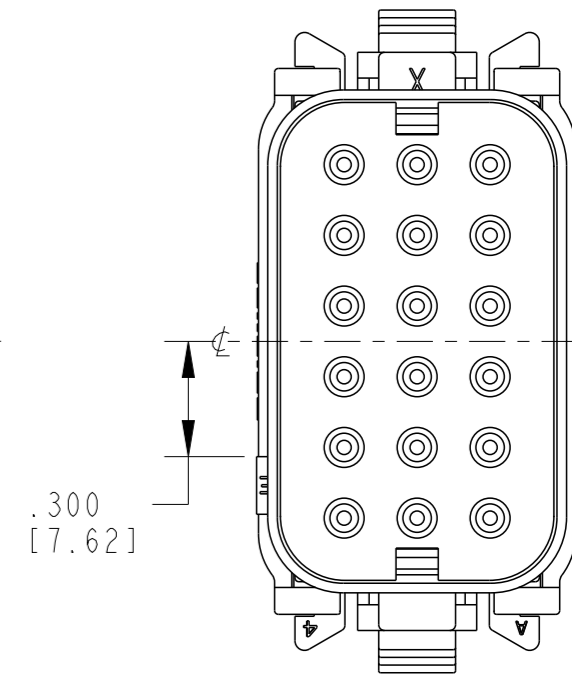
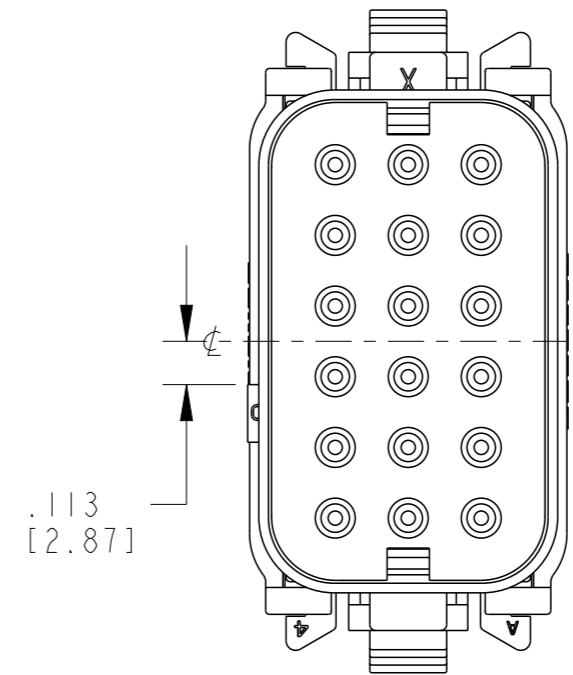
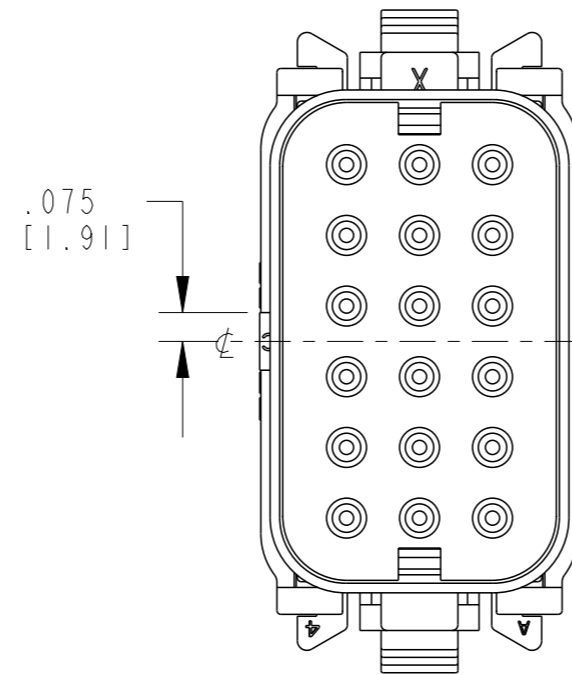
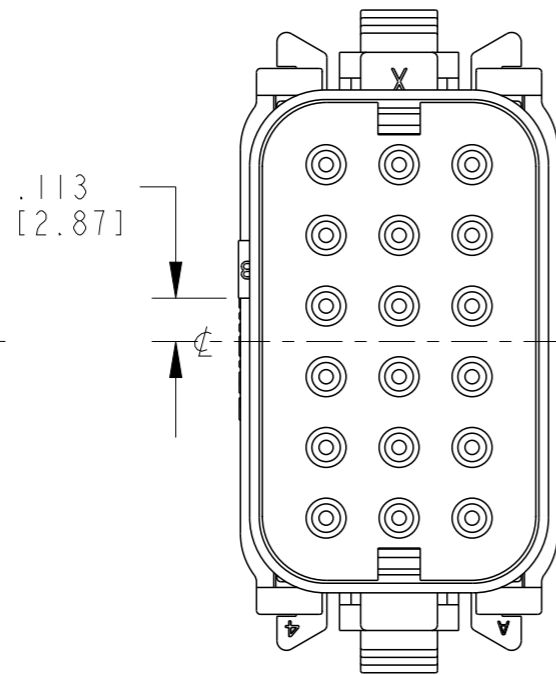
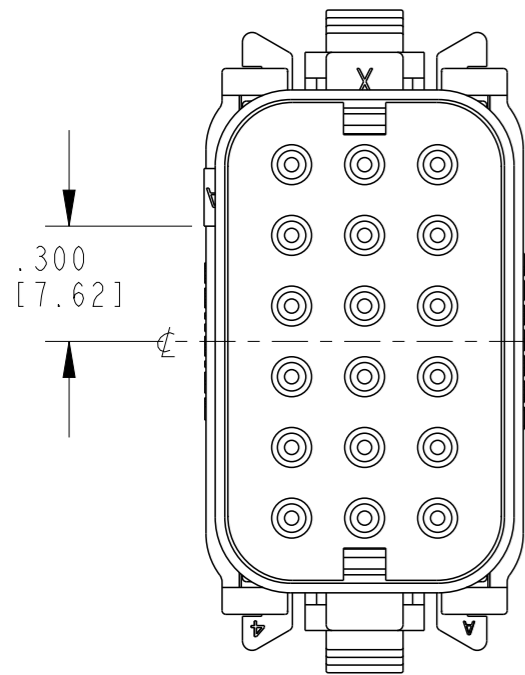
KEY ARR. -A-

KEY ARR. -B-

KEY ARR. -C-

KEY ARR. -D-

KEY ARR. -E-



| | | | | | | | | | | | | | | | | |
|---|--------------|-----------------------------------|---|--------------------------------|---|-------|---|-------|--------------|-------|---|--------|---|----------------------------|------------|--|
| THIS DRAWING IS A CONTROLLED DOCUMENT. | | DWN X. SANCHEZ 22NOV2002 | | | | | | | | | | | | | | |
| DIMENSIONS: INCHES [mm] | | CHK DAVID MEYER 15MAY2006 | | | | | | | | | | | | | | |
| TOLERANCES UNLESS OTHERWISE SPECIFIED: | | APVD DAVID MEYER 15MAY2006 | NAME 18 WAY PLUG 18 SIZE #16 CONTACTS -K004 MOD. D.T. SERIES | | | | | | | | | | | | | |
| <table border="0"> <tr><td>0 PLC</td><td>±</td></tr> <tr><td>1 PLC</td><td>±</td></tr> <tr><td>2 PLC</td><td>±</td></tr> <tr><td>3 PLC</td><td>±.025 [0.64]</td></tr> <tr><td>4 PLC</td><td>±</td></tr> <tr><td>ANGLES</td><td>±</td></tr> </table> | | 0 PLC | ± | 1 PLC | ± | 2 PLC | ± | 3 PLC | ±.025 [0.64] | 4 PLC | ± | ANGLES | ± | PRODUCT SPEC 108-151009 | SIZE A3 | |
| 0 PLC | ± | | | | | | | | | | | | | | | |
| 1 PLC | ± | | | | | | | | | | | | | | | |
| 2 PLC | ± | | | | | | | | | | | | | | | |
| 3 PLC | ±.025 [0.64] | | | | | | | | | | | | | | | |
| 4 PLC | ± | | | | | | | | | | | | | | | |
| ANGLES | ± | | | | | | | | | | | | | | | |
| MATERIAL - | | APPLICATION SPEC 0425-017-0000 | CAGE CODE 4AFU8 | DRAWING NO G-DT16-18SX-K004 | | | | | | | | | | | | |
| FINISH - | | WEIGHT - | RESTRICTED TO - | | | | | | | | | | | | | |
| CUSTOMER DRAWING | | | SCALE 2:1 | SHEET 2 OF 2 | | | | | | | | | | | | |
| | | | REV E1 | | | | | | | | | | | | | |

X-ON Electronics

Largest Supplier of Electrical and Electronic Components

Click to view similar products for [Automotive Connectors](#) category:

Click to view products by [TE Connectivity](#) manufacturer:

Other Similar products are found below :

[003-018-000](#) [60403001](#) [60993906-B](#) [M902-2131](#) [M902-2161](#) [72.330.1035.1](#) [73.353.4028.0](#) [F119300-B](#) [F166900](#) [F258300-B](#) [F358300-B](#)
[F407400](#) [F444110](#) [F487000](#) [F509500B-B](#) [827153-1](#) [8N1515-32-24P](#) [9-1326729-8](#) [925474-1](#) [928905-1](#) [964562-4](#) [968782-1](#) [GT17SA-8DS-](#)
[HU](#) [98891-1012](#) [98947-1016](#) [12004147](#) [12004475-L](#) [12010290](#) [12010309-B](#) [12015454](#) [12020219-B](#) [12020308](#) [12041318-B](#) [12052225-L](#)
[12052466](#) [12059125](#) [12064869](#) [12004327-B](#) [12010503-B](#) [12015308](#) [12015384](#) [12015909](#) [1-21030-1](#) [12041254](#) [12041318](#) [12047946-B](#)
[12047957](#) [12047957-L](#) [12059473](#) [12066261](#)