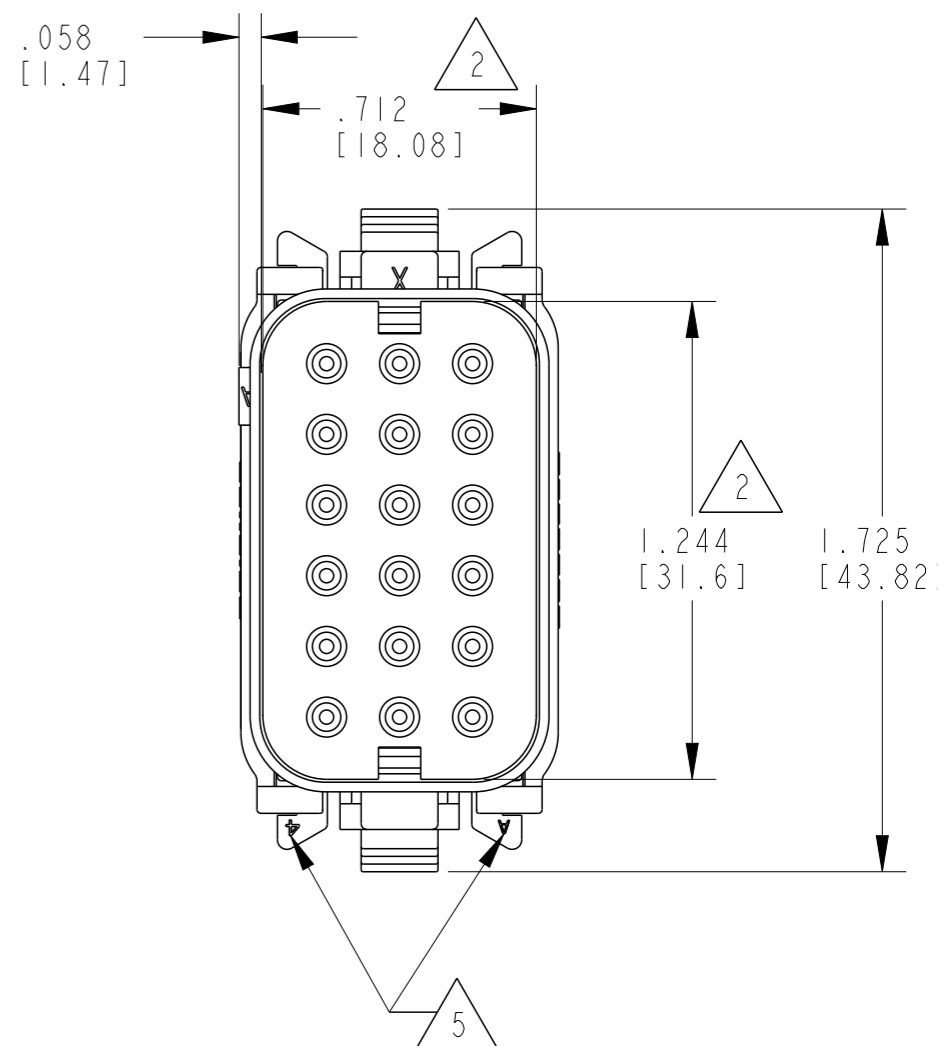
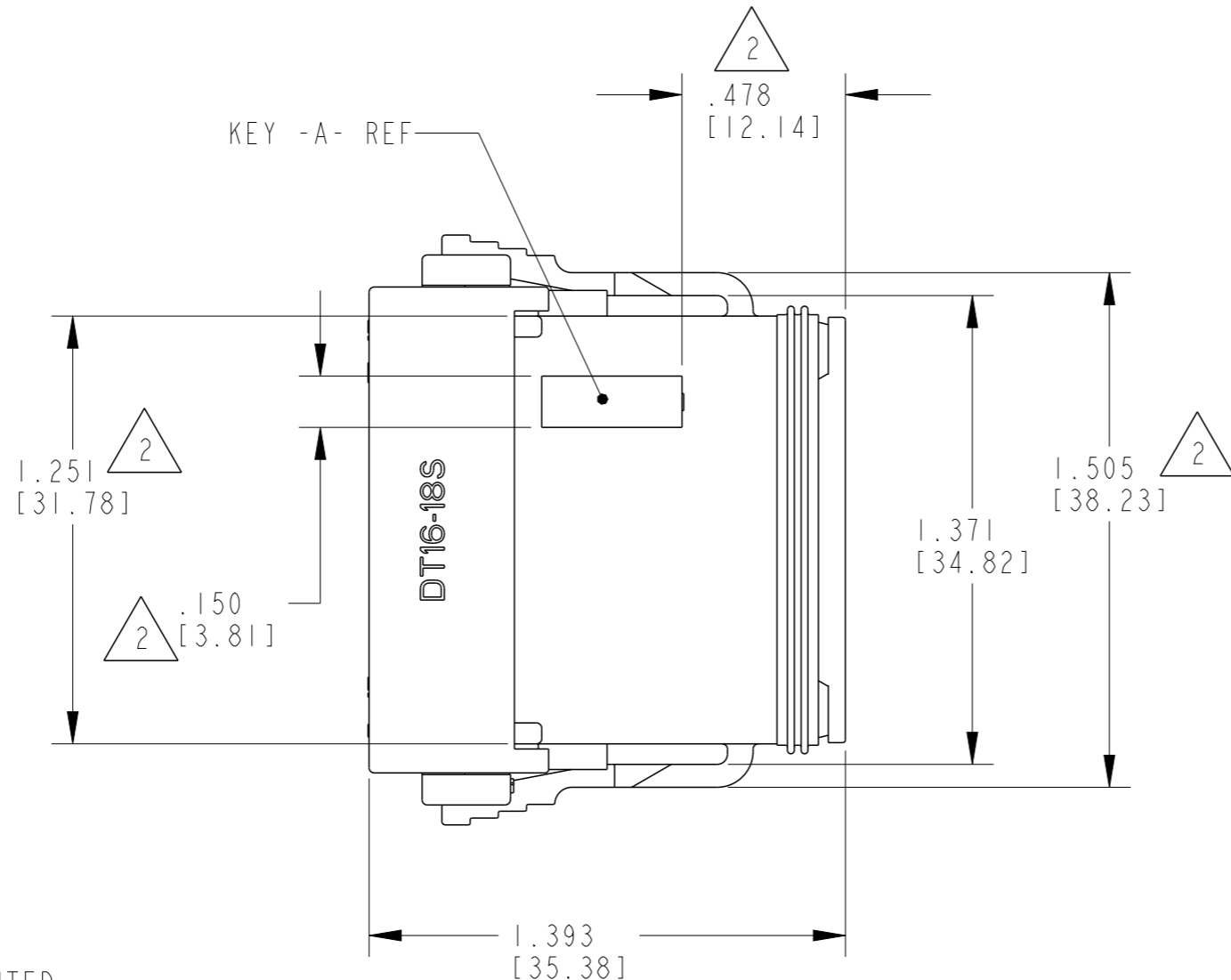
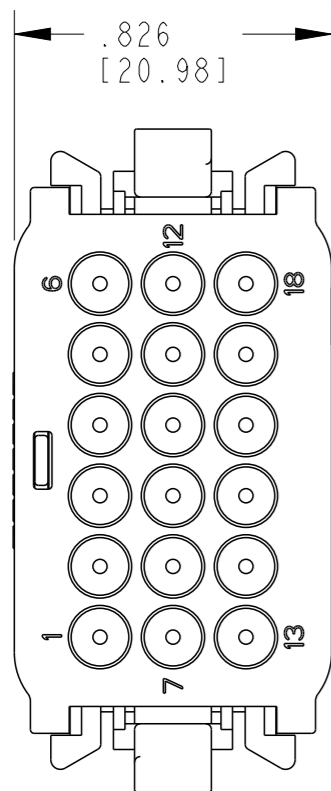


THIS DRAWING IS UNPUBLISHED  
 RELEASED FOR PUBLICATION  
 2015  
 © COPYRIGHT 2015 BY - TE CONNECTIVITY ALL RIGHTS RESERVED.

LOC	DIST	REVISIONS				
P	LTR	DESCRIPTION	DATE	DWN	APVD	
-	-	E1	REVISED PER ECO-15-011146	30JUL2015	MGM	DM



5 DATE CODE: MONTH IS REPRESENTED BY SEQUENTIAL ALPHA CHARACTERS EX: A = JANUARY YEAR IS REPRESENTED BY LAST NUMERICAL DIGIT EX: 4 = 2004

4. SEE INTERFACE DRAWING, DT14-18PX-K004 FOR MATING RECEPTACLE INFORMATION

3. THE FOLLOWING SEALING PLUGS MAY BE USED
- 114017 SEALING PLUG
  - 776363-1 SEALING PLUG
  - 776364-1 SEALING PLUG
  - 0413-215-1605 SEALING KEYING PIN
  - 0413-217-1605 SEALING LOCKING PLUG
  - 0413-204-2005 SEALING PLUG

2. DIMENSIONS HELD BY DESIGN CONTROLS.

1. MATERIAL: SHELL: PLASTIC; COLOR: BLACK  
 SEAL: RUBBER

CONTACT SIZE	MIN. INSUL. O.D.	MAX. INSUL. O.D.	WIRE RANGE [mm <sup>2</sup> ]
16	.053 [1.35]	.120 [3.05]	14-20 AWG [2.0-0.5]

THIS DRAWING IS A CONTROLLED DOCUMENT.		DWN X. SANCHEZ 22NOV2002	<b>STE</b> TE Connectivity	
DIMENSIONS: INCHES [mm]		CHK DAVID MEYER 15MAY2006		
TOLERANCES UNLESS OTHERWISE SPECIFIED:		APVD DAVID MEYER 15MAY2006	NAME 18 WAY PLUG	
0 PLC ±		PRODUCT SPEC 108-151009	18 SIZE #16 CONTACTS	
1 PLC ±		APPLICATION SPEC 0425-017-0000	-K004 MOD. D.T. SERIES	
2 PLC ±		WEIGHT -	SIZE A3	CAGE CODE 4AFU8
3 PLC ±.025 [0.64]		CUSTOMER DRAWING	DRAWING NO. DT16-18SX-K004	RESTRICTED TO -
4 PLC ±		SCALE 2:1	SHEET 1 OF 2	REV E1
ANGLES ±				
FINISH -				

THIS DRAWING IS UNPUBLISHED  
 RELEASED FOR PUBLICATION 2015  
 © COPYRIGHT 2015 BY - TE CONNECTIVITY ALL RIGHTS RESERVED.

LOC	DIST	REVISIONS			
P	LTR	DESCRIPTION	DATE	DWN	APVD
-	-	SEE SHEET 1	-	-	-

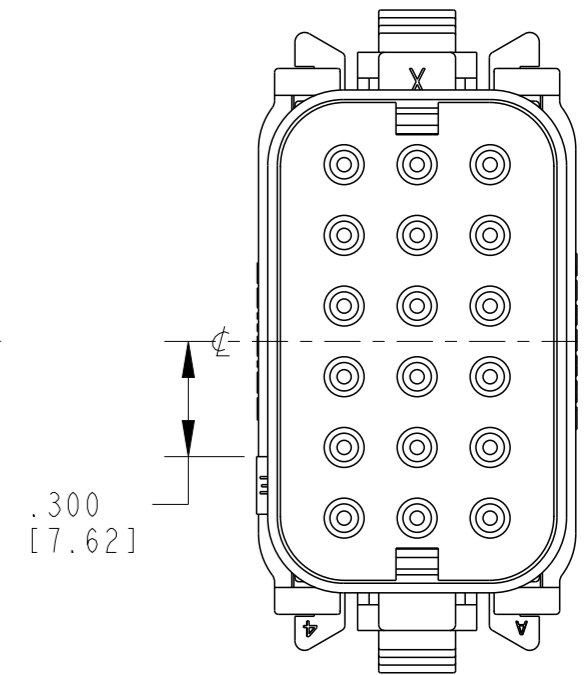
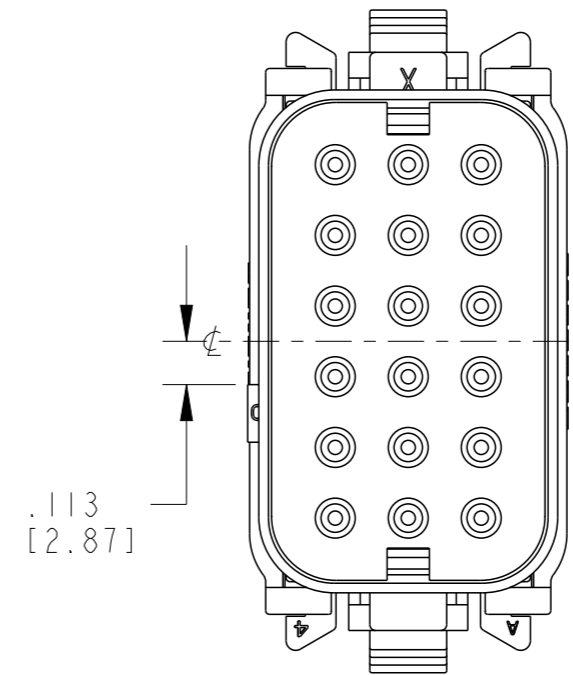
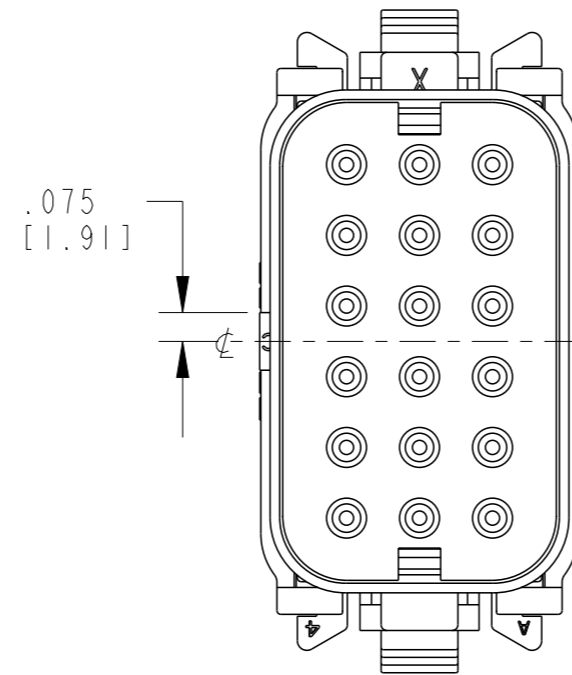
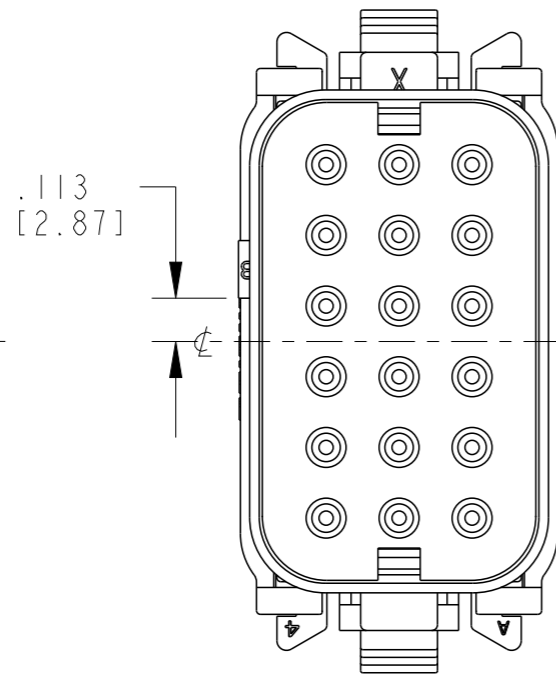
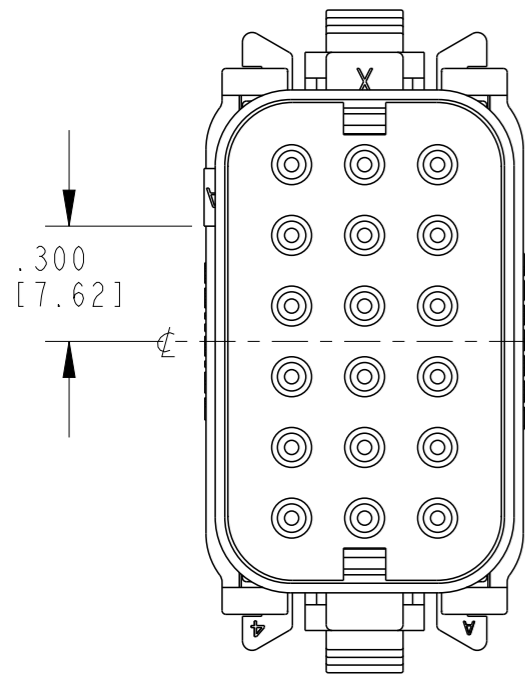
KEY ARR. -A-

KEY ARR. -B-

KEY ARR. -C-

KEY ARR. -D-

KEY ARR. -E-



THIS DRAWING IS A CONTROLLED DOCUMENT.		DWN X. SANCHEZ 22NOV2002					
DIMENSIONS: INCHES [mm]		CHK DAVID MEYER 15MAY2006					
TOLERANCES UNLESS OTHERWISE SPECIFIED:		APVD DAVID MEYER 15MAY2006	NAME 18 WAY PLUG 18 SIZE #16 CONTACTS -K004 MOD. D.T. SERIES				
0 PLC ± 1 PLC ± 2 PLC ± 3 PLC ±.025 [0.64] 4 PLC ± ANGLES ± FINISH -		PRODUCT SPEC 108-151009	SIZE A3	CAGE CODE 4AFU8	DRAWING NO G-DT16-18SX-K004	RESTRICTED TO -	
MATERIAL -		APPLICATION SPEC 0425-017-0000	SCALE 2:1		SHEET 2	OF 2	REV E1
		WEIGHT -	CUSTOMER DRAWING				

## X-ON Electronics

Largest Supplier of Electrical and Electronic Components

*Click to view similar products for [Automotive Connectors](#) category:*

*Click to view products by [TE Connectivity](#) manufacturer:*

Other Similar products are found below :

[003-018-000](#) [60403001](#) [60993906-B](#) [M902-2131](#) [M902-2161](#) [72.330.1035.1](#) [73.353.4028.0](#) [F119300-B](#) [F166900](#) [F258300-B](#) [F358300-B](#)  
[F407400](#) [F444110](#) [F487000](#) [F509500B-B](#) [827153-1](#) [8N1515-32-24P](#) [9-1326729-8](#) [925474-1](#) [928905-1](#) [964562-4](#) [968782-1](#) [GT17SA-8DS-](#)  
[HU](#) [98891-1012](#) [98947-1016](#) [12004147](#) [12004475-L](#) [12010290](#) [12010309-B](#) [12015454](#) [12020219-B](#) [12020308](#) [12041318-B](#) [12052225-L](#)  
[12052466](#) [12059125](#) [12064869](#) [12004327-B](#) [12010503-B](#) [12015308](#) [12015384](#) [12015909](#) [1-21030-1](#) [12041254](#) [12041318](#) [12047946-B](#)  
[12047957](#) [12047957-L](#) [12059473](#) [12066261](#)