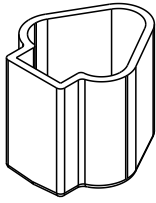
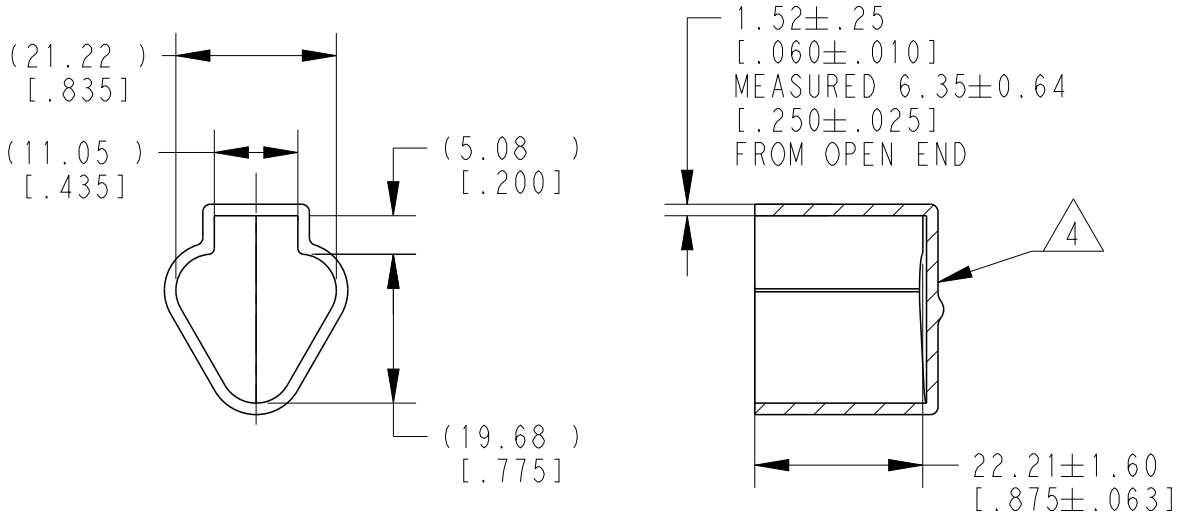


REVISIONS					
P	LTR	DESCRIPTION	DATE	DWN	APVD
	A	NEW RELEASE PER ECO-14-008759	06-10-14	DM	DM
	A1	REVISED PER PCN E-20-005671	17APR2020	AP	IG



3D VIEW



5. SMALL NON-FILLS ARE ACCEPTABLE INSIDE OF PART, INCLUDING SUPPLIER MARKING.

4. SMALL MATERIAL EXTENSION IS ACCEPTABLE ON THIS END ALL AROUND. WALL THICKNESS ON THIS END MAY VARY.

3. THIS ACCESSORY PART IS PROVIDED WITHOUT TYPICAL TRANSPORTATION INDUSTRY PROCESS CONTROLS. NO VALIDATION TESTING HAS BEEN PERFORMED. CUSTOMER IS RESPONSIBLE FOR DETERMINING PRODUCT PERFORMANCE AND SUITABILITY FOR APPLICATION.

2. TEMPERATURE RATING: -29°C TO +100°C [-20°F TO +212°F]

1. THIS PART IS USED ON DT04-3P WITH ANY MODIFICATION.

NOTES:

TE INTERNAL PN	DEUTSCH PN
DT3P-DC	DT3P-DC

2020

RELEASED FOR PUBLICATION

THIS DRAWING IS UNPUBLISHED.

TE Connectivity. All Rights Reserved. © COPYRIGHT 2020

DIMENSIONS: MM [INCH]	DWN D. MEYER	10JUN2014	MATERIAL	PVC	FINISH	GRAY
	CHK R. MESSENGER	10JUN2014	TE Connectivity			
TOLERANCES UNLESS OTHERWISE SPECIFIED:	APVD D. MEYER	10JUN2014				
0 PLC ±	PRODUCT SPEC		SIZE	CAGE CODE	DRAWING NO	RESTRICTED TO
1 PLC ±	APPLICATION SPEC		A 4	00779	Ⓒ-DT3P-DC	-
2 PLC ±0.63 [.025]	WEIGHT	5.00 g	CUSTOMER DRAWING		SCALE	1:1
3 PLC ±					SHEET	1 OF 1
4 PLC ±					REV	A1
ANGLES ±5°						

## X-ON Electronics

Largest Supplier of Electrical and Electronic Components

*Click to view similar products for [Automotive Connectors](#) category:*

*Click to view products by [TE Connectivity](#) manufacturer:*

Other Similar products are found below :

[003-018-000](#) [60403001](#) [60993906-B](#) [M902-2131](#) [M902-2161](#) [M902-2344](#) [72.330.1035.1](#) [73.353.4028.0](#) [F119300-B](#) [F166900](#) [F258300-B](#)  
[F358300-B](#) [F407400](#) [F444110](#) [F487000](#) [F509500B-B](#) [827153-1](#) [8N1515-32-24P](#) [9-1326729-8](#) [925474-1](#) [928905-1](#) [964562-4](#) [968782-1](#)  
[GT17SA-8DS-HU](#) [98891-1012](#) [98947-1016](#) [12004147](#) [12004475-L](#) [12010290](#) [12010309-B](#) [12015454](#) [12020219-B](#) [12041318-B](#) [12052225-](#)  
[L](#) [12052466](#) [12064869](#) [12004327-B](#) [12015308](#) [12015384](#) [12015909](#) [1-21030-1](#) [12041254](#) [12041318](#) [12047946-B](#) [12047957](#) [12047957-L](#)  
[12059473](#) [12066261](#) [12110546](#) [12110546-B](#)