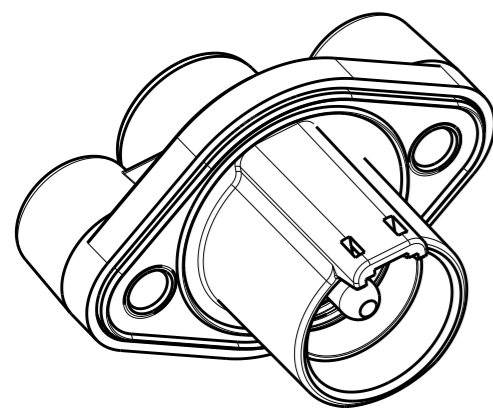
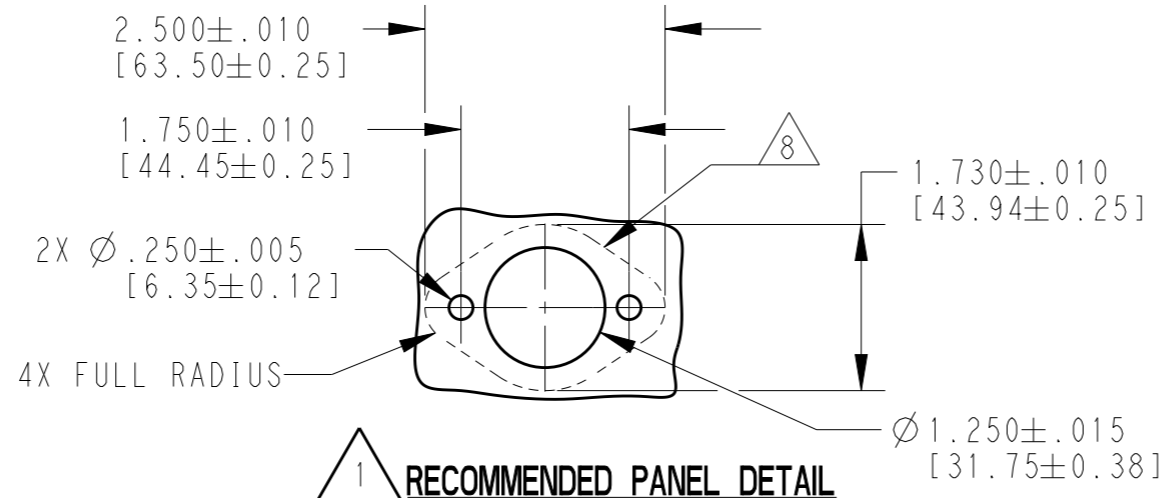


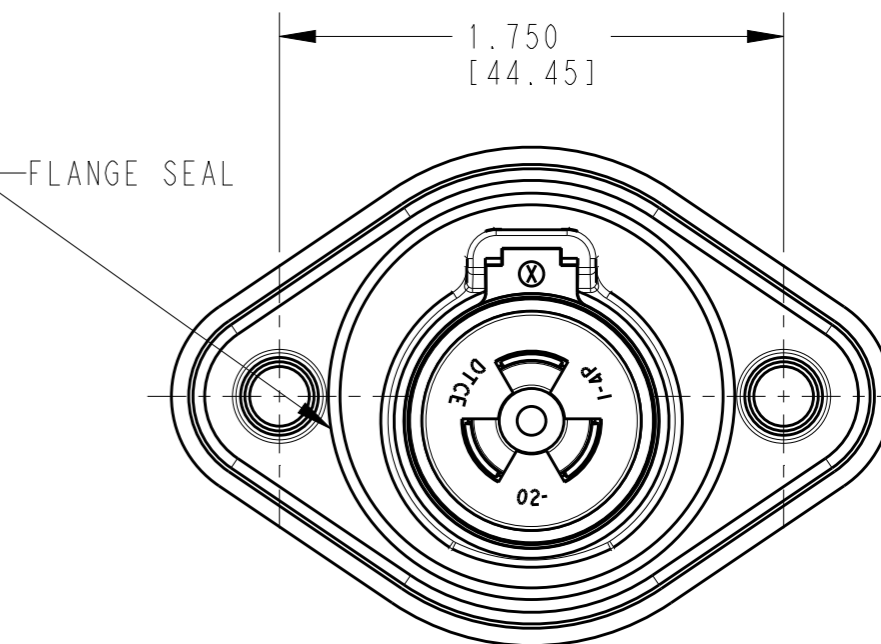
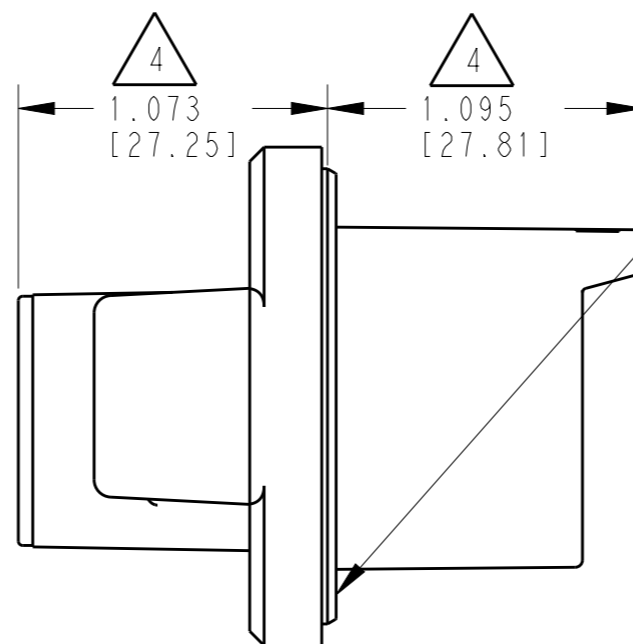
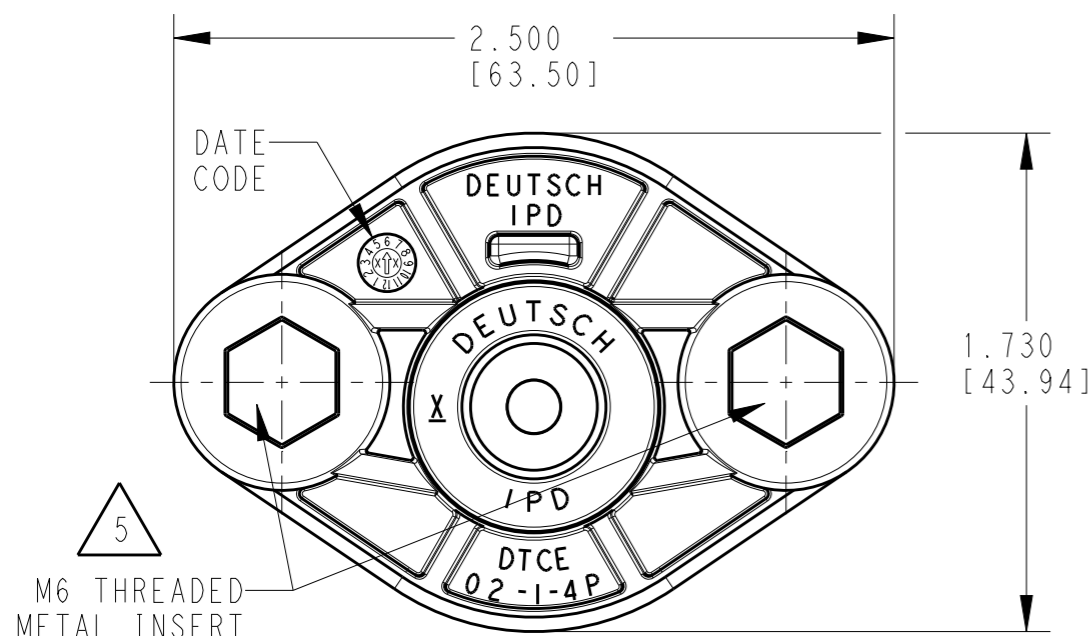
P	LTR	DESCRIPTION	DATE	DWN	APVD
B1		REVISED PER ECO-16-015653	31OCT2016	JA	DM
B2		REVISED PER PCN E-18-015123	01OCT2018	SS	DM



SCALE 1:1



1 RECOMMENDED PANEL DETAIL



- 8 SURFACE FINISH: 32 RMS [0.80 µm] OR BETTER
- 7. FLANGE SEAL TO BE SPLASH PROOF ONLY.
- 6 MATERIAL: RECEPTACLE: PEI (BLACK); WELD RING: PEI (BLACK); WELD CAP: PEI (BLACK); FLANGE SEAL: VMQ (RED-ORANGE); INTERFACE SEAL: VMQ (RED-ORANGE); THREADED INSERT: STAINLESS STEEL.
- 5 RECOMMENDED MOUNTING SCREW TORQUE : 84 ± 32 IN-LB [9.5 ± 3.6 Nm].
- 4 DIMENSIONED TO EDGE OF THREADED METAL INSERT.
- 3. FOR CONTACT INFORMATION, SEE CUSTOMER DRAWING 4025-001-0000.
- 2. THIS RECEPTACLE MATES WITH DTCE06-1-4S-XXXX PLUG (XXXX = ALL MODIFICATIONS).
- 1 PANEL TO BE FLAT AND FREE FROM BURRS OR SHARP EDGES.

NOTES:

TE INTERNAL PN		DEUTSCH PN	
DTCE02-1-4P-E003		DTCE02-1-4P-E003	
CONTACT SIZE	MIN. INSUL O.D.	MAX. INSUL O.D.	WIRE RANGE [mm ²] REF ONLY
4	.261 [6.63]	.420 [10.67]	4 AWG [21.0]

THIS DRAWING IS A CONTROLLED DOCUMENT.		DWN J. HANES 14JAN2000	TE TE Connectivity	
DIMENSIONS: INCHES [mm]		CHK D. WHITACRE 22FEB2008		
TOLERANCES UNLESS OTHERWISE SPECIFIED:		APVD D. MEYER 20FEB2008	NAME RECEPTACLE, FLANGE MOUNT WITH THREADED METAL INSERTS, -E003 MOD COLOR: BLACK, DTCE SERIES	
0 PLC ±-		PRODUCT SPEC	SIZE A3	
1 PLC ±-		APPLICATION SPEC	CAGE CODE 4AFU8	DRAWING NO. DTCE02-1-4P-E003
2 PLC ±-		WEIGHT 52.83g	RESTRICTED TO	
3 PLC ±.025 [0.64]		CUSTOMER DRAWING	SCALE 3:2	SHEET 1 OF 1
4 PLC ±-			REV B2	
ANGLES ±° 30' 0"				
MATERIAL 6	FINISH 8			

X-ON Electronics

Largest Supplier of Electrical and Electronic Components

Click to view similar products for [Automotive Connectors](#) category:

Click to view products by [TE Connectivity](#) manufacturer:

Other Similar products are found below :

[003-018-000](#) [60403001](#) [60993906-B](#) [M902-2131](#) [M902-2161](#) [M902-2344](#) [72.330.1035.1](#) [73.353.4028.0](#) [F119300-B](#) [F166900](#) [F258300-B](#)
[F358300-B](#) [F407400](#) [F444110](#) [F487000](#) [F509500B-B](#) [827153-1](#) [8N1515-32-24P](#) [9-1326729-8](#) [925474-1](#) [928905-1](#) [964562-4](#) [968782-1](#)
[GT17SA-8DS-HU](#) [98891-1012](#) [98947-1016](#) [12004147](#) [12004475-L](#) [12010290](#) [12010309-B](#) [12015454](#) [12020219-B](#) [12041318-B](#) [12052225-](#)
[L](#) [12052466](#) [12064869](#) [12004327-B](#) [12015308](#) [12015384](#) [12015909](#) [1-21030-1](#) [12041254](#) [12041318](#) [12047946-B](#) [12047957](#) [12047957-L](#)
[12059473](#) [12066261](#) [12110546](#) [12110546-B](#)