

REV NC		REVISIONS		
SYM	DESCRIPTION	DATE	APPROVED	
NC	NEW RELEASE PER E.O. P17232	4-19-01	RDR	

- 7. SEE SHEET 2 FOR OTHER KEY ARRANGEMENTS.
- 6. MATERIAL - HOUSING: PLASTIC; GROMMET: RUBBER.
- 5. THIS RECEPTACLE MATES WITH DTM06-08S*-**** PLUG. (* = A,B,C,D KEYS; **** = ALL MODIFICATIONS)
- 4. FOR CONTACT AND WIRE PERFORMANCE AND APPLICATION CHARACTERISTICS SEE ENVELOPE DRAWING 0425-015-0000.
- 3. SECONDARY WEDGE LOCK SOLD SEPARATELY: WM-8P.
- 2. DIMENSION TOLERANCE: $\pm .025$ [.64].
- 1. DIMENSIONS ARE IN INCHES [mm].

NOTES: UNLESS OTHERWISE SPECIFIED

CONTACT SIZE	MIN. INSUL. O.D.	MAX. INSUL. O.D.	WIRE RANGE [mm ²] REF ONLY
20	.053 [1.35]	.120 [3.05]	16-22 AWG [1.0-0.5]

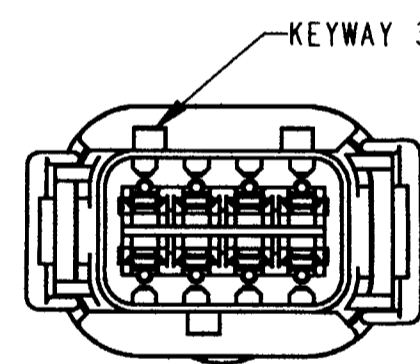
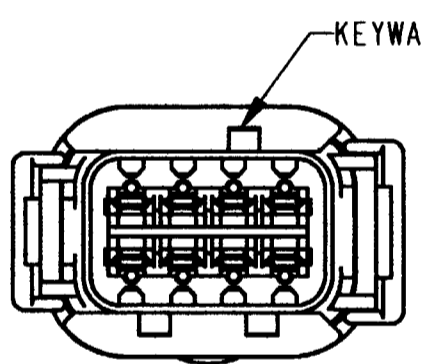
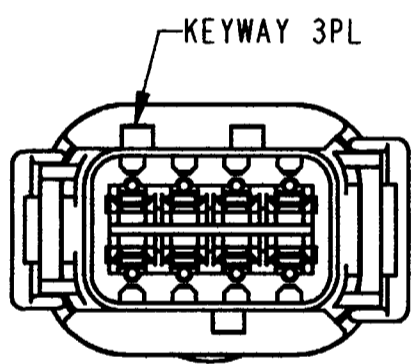
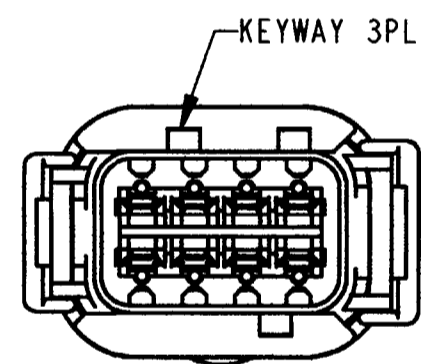
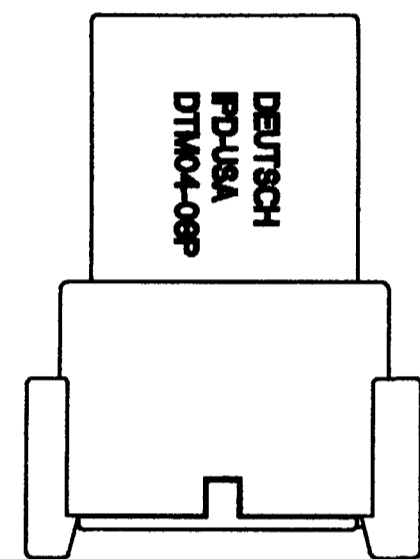
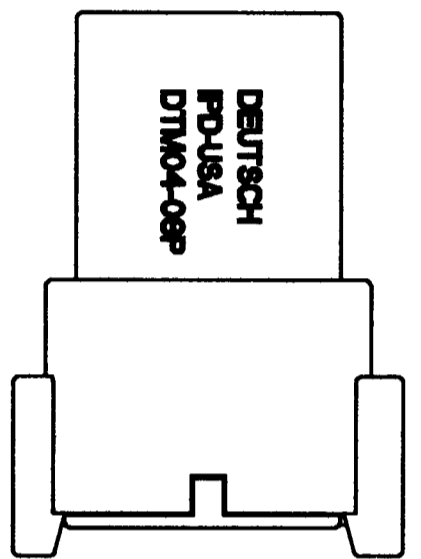
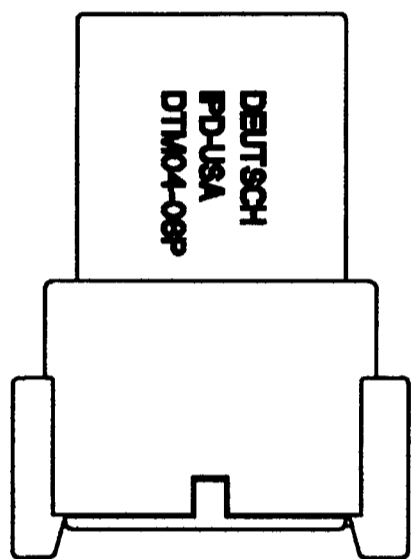
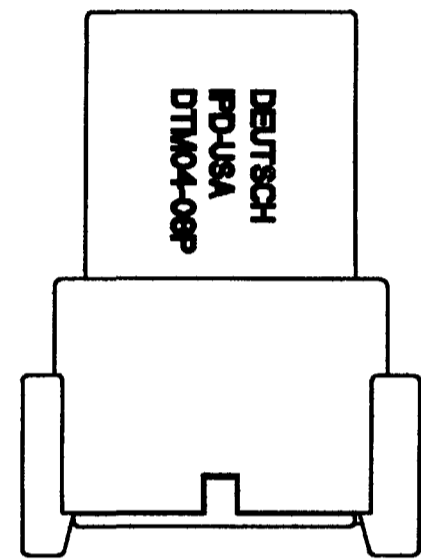
SIGNATURE & DATE	
DR	J. APOSTOL 16 APR 2001
CHK	<i>[Signature]</i> 4/18/01
PE	<i>[Signature]</i> 4/18/01
APPD	<i>[Signature]</i> 4-19-01
SCALE	NONE WT

RECEPTACLE
8 CONTACTS, SIZE 20
A,B,C,D KEYS
DTM SERIES

ENVELOPE

CP	MATL. CODE
The Deutsch Company DEUTSCH I.P.D. 3850 INDUSTRIAL AVE. HEMET, CALIF. 92545	
B	DTM04-08P*
DWG SIZE	CODE 11139 SHEET 1 OF 2

REV	DTM04-08P*	REVISIONS			
NC		SYM	DESCRIPTION	DATE	APPROVED
			SEE SHEET ONE	4-19-01	RDR



DTM04-08PA
KEY -A-
COLOR: GREY

DTM04-08PB
KEY -B-
COLOR: BLACK

DTM04-08PC
KEY -C-
COLOR: GREEN

DTM04-08PD
KEY -D-
COLOR: BROWN

NOTES:

SIGNATURE & DATE		RECEPTACLE 8 CONTACTS, SIZE 20 A, B, C, D KEYS DTM SERIES	CP	MATL. CODE	
DR	J. APOSTOL 16 APR 2001		The Deutch Company DEUTSCH I.P.D. 3850 INDUSTRIAL AVE. HEMET, CALIF. 92545		
CHK	R. M. G. 4/18/01		B	DTM04-08P*	
PE	D. Meyer 4/16/01			CODE	SHEET 2 OF 2
APPD	R. Reed 4-19-01			DWG SIZE	11139
SCALE	NONE	WT	ENVELOPE		

X-ON Electronics

Largest Supplier of Electrical and Electronic Components

Click to view similar products for [Automotive Connectors](#) category:

Click to view products by [TE Connectivity](#) manufacturer:

Other Similar products are found below :

[003-018-000](#) [60403001](#) [60993906-B](#) [M902-2131](#) [M902-2161](#) [72.330.1035.1](#) [73.353.4028.0](#) [F119300-B](#) [F166900](#) [F258300-B](#) [F358300-B](#)
[F407400](#) [F444110](#) [F487000](#) [F509500B-B](#) [827153-1](#) [8N1515-32-24P](#) [9-1326729-8](#) [925474-1](#) [928905-1](#) [964562-4](#) [968782-1](#) [GT17SA-8DS-](#)
[HU](#) [98891-1012](#) [98947-1016](#) [12004147](#) [12004475-L](#) [12010290](#) [12010309-B](#) [12015454](#) [12020219-B](#) [12020308](#) [12041318-B](#) [12052225-L](#)
[12052466](#) [12059125](#) [12064869](#) [12004327-B](#) [12010503-B](#) [12015308](#) [12015384](#) [12015909](#) [1-21030-1](#) [12041254](#) [12041318](#) [12047946-B](#)
[12047957](#) [12047957-L](#) [12059473](#) [12066261](#)