

REV
A DTMO4-12P*-EE04

REVISIONS			
SYM	DESCRIPTION	DATE	APPROVED
NC	NEW RELEASE PER E.O. PI9500	8/22/07	R.D.R.
A	REVISED PER E.O. PI9776	4-7-08	RDR

- 8. SEE SHEET 2 FOR OTHER KEY ARRANGEMENTS.
 - 7. PART MODIFICATION: RECEPTACLE IS RATE AT 150°C (COLOR: BLACK).
 - 6. MATERIAL - HOUSING/RETAINER: PLASTIC; GROMMET: RUBBER.
 - 5. CONNECTOR DESIGNED TO BE USED WITH DTMO6-12S*-**** PLUGS. (*) = A,B,C,D KEYS, (****) = ALL HIGH TEMPERATURE MODIFICATIONS. CONSULT FACTORY FOR MODIFICATIONS.
 - 4. FOR CONTACT AND WIRE PERFORMANCE AND APPLICATION CHARACTERISTICS SEE ENVELOPE DRAWING 0425-015-0000.
 - 3. SECONDARY WEDGE LOCK SOLD SEPARATELY: WM-12P.
 - 2. DIMENSION TOLERANCE: ±.025 [.64].
 - 1. DIMENSIONS ARE IN INCHES [mm].
- NOTES: UNLESS OTHERWISE SPECIFIED

CONTACT SIZE	MIN. INSUL. O.D.	MAX. INSUL. O.D.	WIRE RANGE [mm ²] REF ONLY
20	.053 [1.35]	.120 [3.05]	16-20 AWG [1.0-0.5]

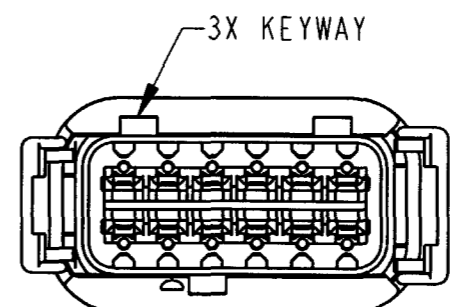
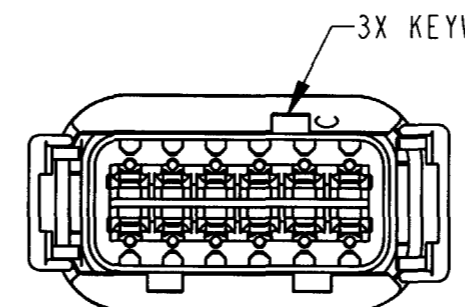
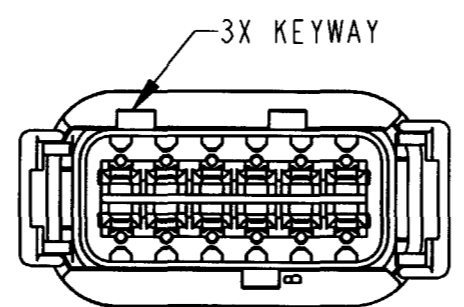
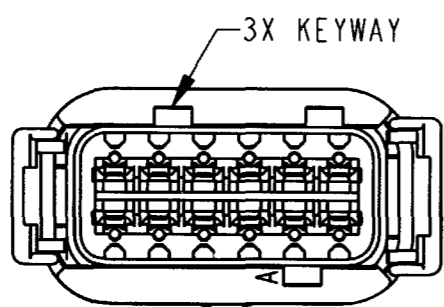
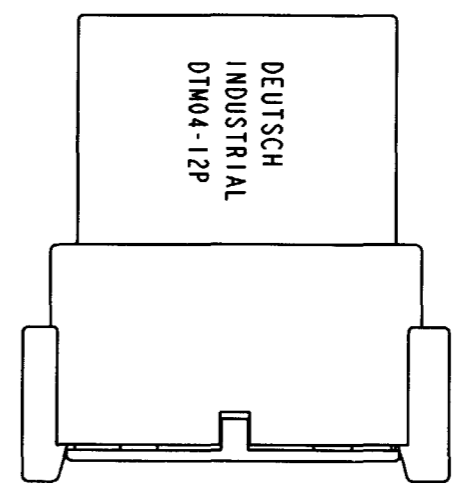
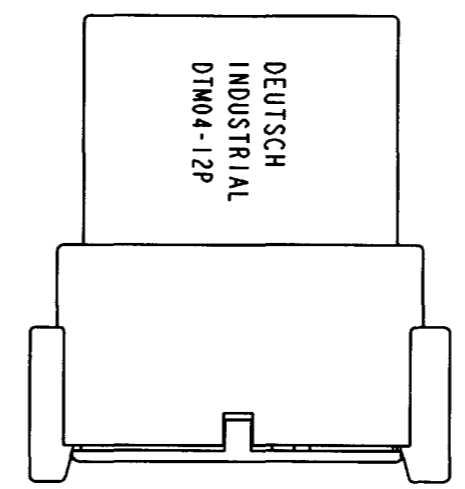
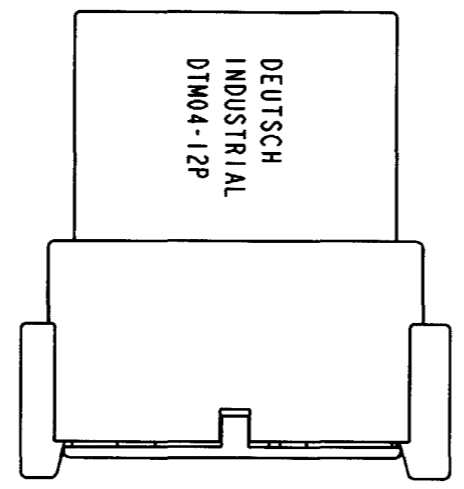
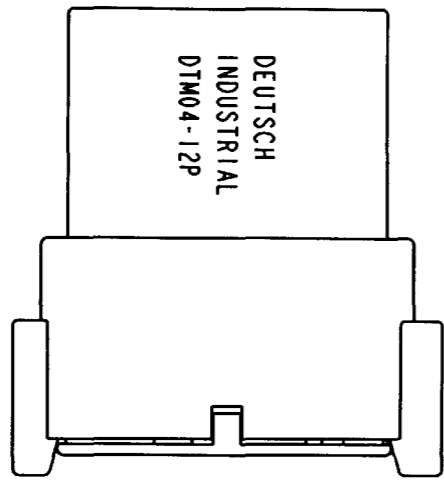
SIGNATURE & DATE	
DR	D. MEYER 04/27/07
CHK	<i>[Signature]</i> 4/10/08
PE	<i>[Signature]</i> 4/7/08
APPD	<i>[Signature]</i> 4/7/08
SCALE	NONE [1:1]

RECEPTACLE
12 CONTACTS, SIZE 20
A,B,C,D KEYS
-EE04 MOD
DTM SERIES

ENVELOPE

EP 172	MATL. CODE
3850 INDUSTRIAL AVE. HEMET, CA 92545	
DEUTSCH INDUSTRIAL	
B DTMO4-12P*-EE04	
DWG SIZE	SHEET 1 OF 2

REV	REVISIONS			
A	SYM	DESCRIPTION	DATE	APPROVED
	A	SEE SHEET 1	4-7-08	ADR



DTM04-12PA-EE04
KEY -A-
COLOR: BLACK

DTM04-12PB-EE04
KEY -B-
COLOR: BLACK

DTM04-12PC-EE04
KEY -C-
COLOR: BLACK

DTM04-12PD-EE04
KEY -D-
COLOR: BLACK

NOTES:

SIGNATURE & DATE		RECEPTACLE 12 CONTACTS, SIZE 20 A, B, C, D KEYS -EE04 MOD DTM SERIES	EP 172	MATL. CODE
DR	D. MEYER 04/27/07		3850 INDUSTRIAL AVE. HEMET, CA 92545	
CHK	<i>[Signature]</i> 4/10/08		DEUTSCH INDUSTRIAL	
PE	<i>[Signature]</i> 4/13/08		B DTM04-12P*-EE04	
APPD	<i>[Signature]</i> 4/16/08	ENVELOPE	DWG SIZE	CODE 11139 SHEET 2 OF 2
SCALE	NONE WT			

X-ON Electronics

Largest Supplier of Electrical and Electronic Components

Click to view similar products for [Automotive Connectors](#) category:

Click to view products by [TE Connectivity](#) manufacturer:

Other Similar products are found below :

[003-018-000](#) [60403001](#) [60993906-B](#) [M902-2131](#) [M902-2161](#) [M902-2344](#) [72.330.1035.1](#) [73.353.4028.0](#) [F119300-B](#) [F166900](#) [F258300-B](#)
[F358300-B](#) [F407400](#) [F444110](#) [F487000](#) [F509500B-B](#) [827153-1](#) [8N1515-32-24P](#) [9-1326729-8](#) [925474-1](#) [928905-1](#) [964562-4](#) [968782-1](#)
[GT17SA-8DS-HU](#) [98891-1012](#) [98947-1016](#) [12004147](#) [12004475-L](#) [12010290](#) [12015454](#) [12020219-B](#) [12041318-B](#) [12052225-L](#) [12052466](#)
[12064869](#) [12004327-B](#) [12015308](#) [12015384](#) [12015909](#) [1-21030-1](#) [12041254](#) [12041318](#) [12047946-B](#) [12047957](#) [12047957-L](#) [12059473](#)
[12066261](#) [12110546](#) [12110546-B](#) [12131792](#)