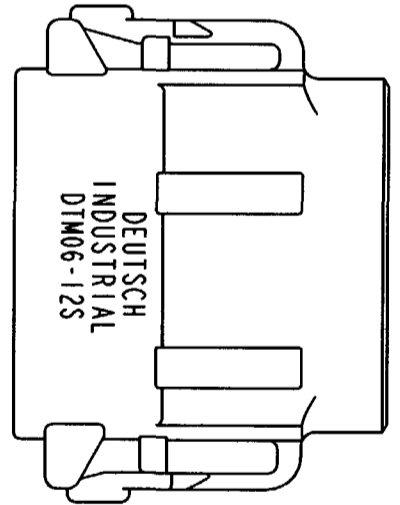
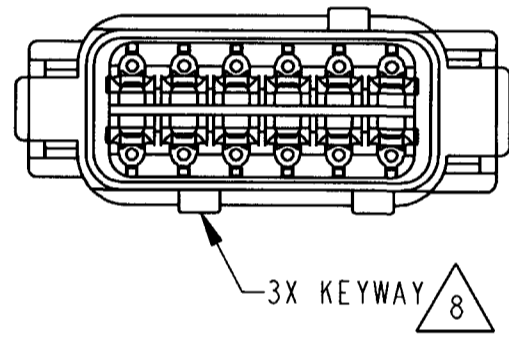
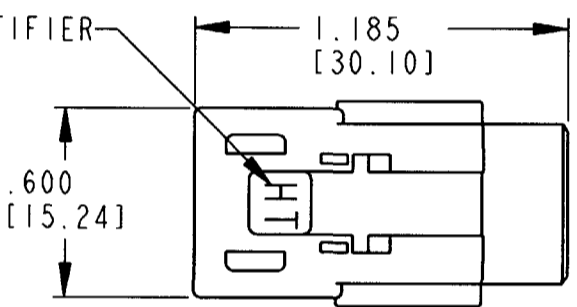
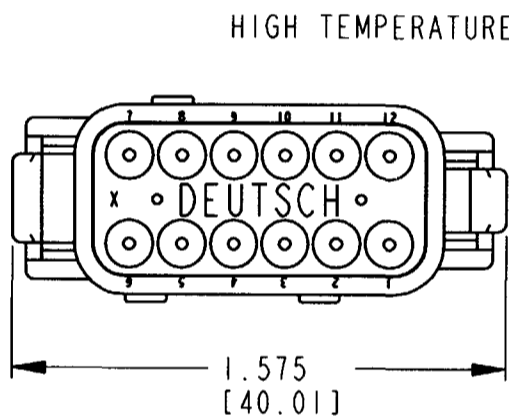
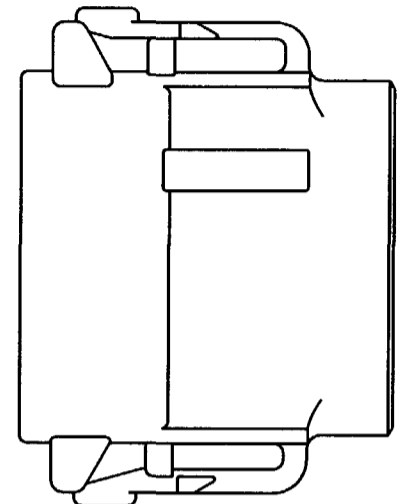


REV
A DTM06-12S*-EE04

REVISIONS			
SYM	DESCRIPTION	DATE	APPROVED
NC	NEW RELEASE PER E.O. P19500	8/22/07	RDR
A	REVISED PER E.O. P19776	4-7-08	RDR



- 8. SEE SHEET 2 FOR OTHER KEY ARRANGEMENTS.
 - 7. PART MODIFICATION: PLUG IS RATED AT 150°C (COLOR: BLACK).
 - 6. MATERIAL - HOUSING: PLASTIC; GROMMET: RUBBER.
 - 5. CONNECTOR DESIGNED TO BE USED WITH DTM04-12P*-**** RECEPTACLES. (*) = A,B,C,D KEYS, (****) = ALL HIGH TEMPERATURE MODIFICATIONS. CONSULT FACTORY FOR MODIFICATIONS.
 - 4. FOR CONTACT AND WIRE PERFORMANCE AND APPLICATION CHARACTERISTICS SEE ENVELOPE DRAWING 0425-015-0000.
 - 3. SECONDARY WEDGE LOCK SOLD SEPARATELY: WM-12S.
 - 2. DIMENSION TOLERANCE: ±.025 [.64].
 - 1. DIMENSIONS ARE IN INCHES [mm].
- NOTES: UNLESS OTHERWISE SPECIFIED

CONTACT SIZE	MIN. INSUL. O.D.	MAX. INSUL. O.D.	WIRE RANGE [mm ²] REF ONLY
20	.053 [1.35]	.120 [3.05]	16-22 AWG [1.0-0.5]

SIGNATURE & DATE	
DR	D. MEYER 05/02/07
CHK	<i>[Signature]</i> 4/10/08
PE	<i>[Signature]</i> 4/10/08
APPD	<i>[Signature]</i> 4/10/08
SCALE	NONE

PLUG
12 CONTACTS, SIZE 20
A,B,C,D KEYS
-EE04 MOD
DTM SERIES
ENVELOPE

EP 172 MATL CODE

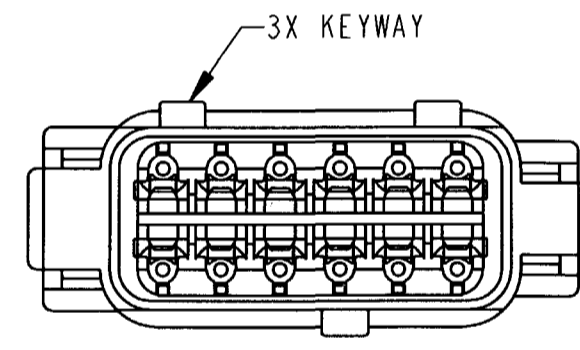
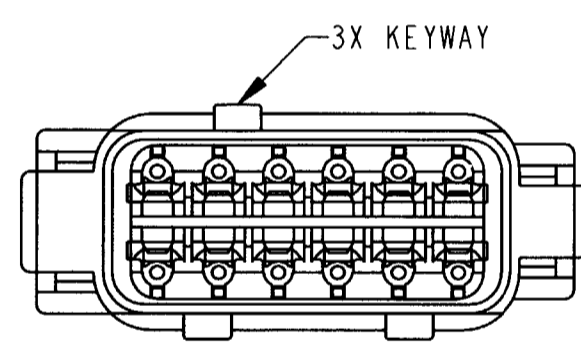
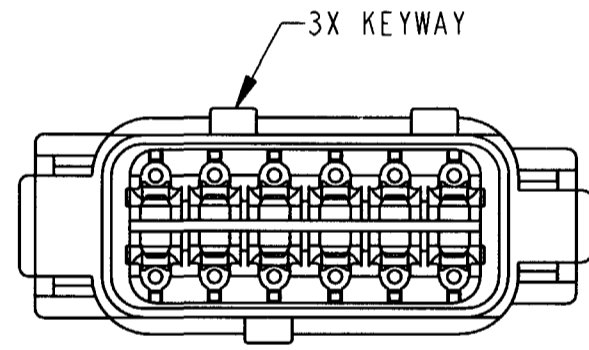
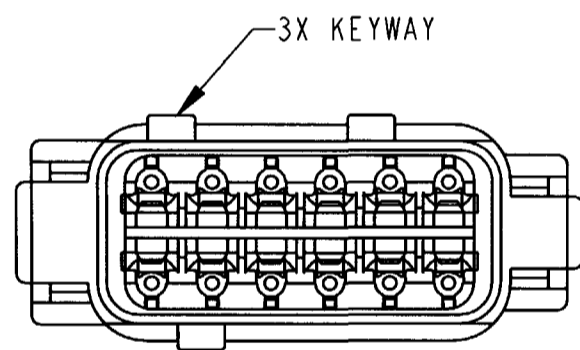
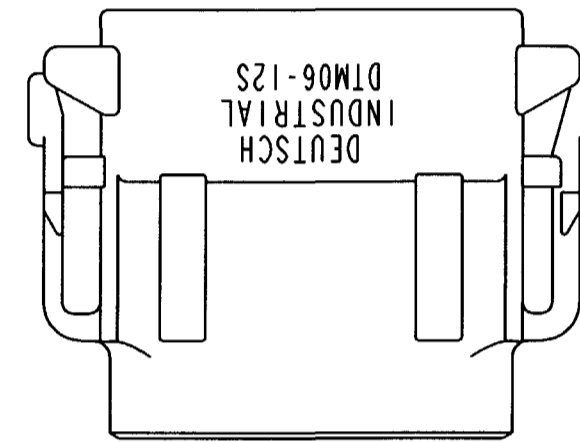
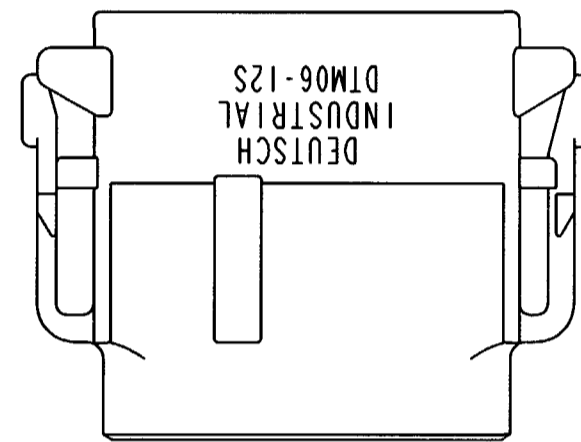
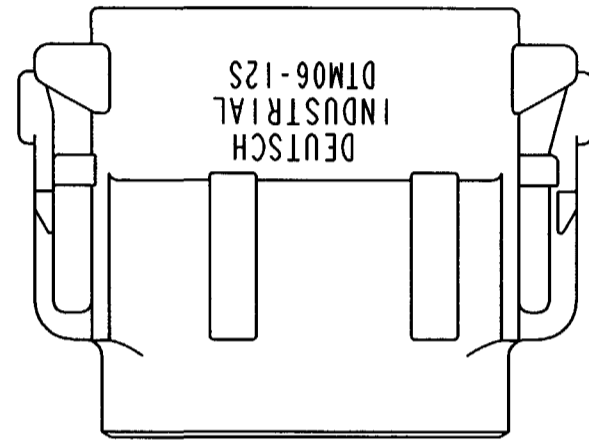
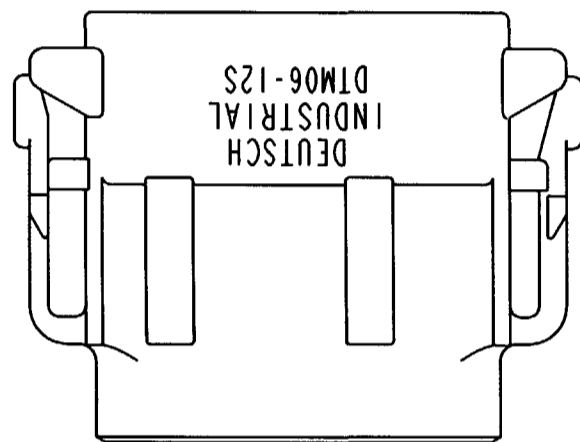
3850 INDUSTRIAL AVE.
HEMET, CA 92545

DEUTSCH
INDUSTRIAL

B DTM06-12S*-EE04

DWG SIZE 11139 CODE SHEET 1 OF 2

REV A	DTM06-12S*-EE04	REVISIONS			
		SYM	DESCRIPTION	DATE	APPROVED
		A	SEE SHEET 1	5/12/08	DM



DTM06-12SA-EE04
KEY -A-
COLOR: BLACK

DTM06-12SB-EE04
KEY -B-
COLOR: BLACK

DTM06-12SC-EE04
KEY -C-
COLOR: BLACK


DTM06-12SD-EE04
KEY -D-
COLOR: BLACK

NOTES:

SIGNATURE & DATE	
DR	D. MEYER 05/02/07
CHK	5/6/08 5/12/08
PE	Karla Canal 5/12/08
APPD	D. Meyer 5/12/08
SCALE	NONE

PLUG
12 CONTACTS, SIZE 20
A, B, C, D KEYS
-EE04 MOD
DTM SERIES

ENVELOPE

EP 172	MATL. CODE
 3850 INDUSTRIAL AVE. HEMET, CA 92545 DEUTSCH INDUSTRIAL	
B	DTM06-12S*-EE04
DWG SIZE	CODE 11139 SHEET 2 OF 2

X-ON Electronics

Largest Supplier of Electrical and Electronic Components

Click to view similar products for [Automotive Connectors](#) category:

Click to view products by [TE Connectivity](#) manufacturer:

Other Similar products are found below :

[003-018-000](#) [60403001](#) [60993906-B](#) [M902-2131](#) [M902-2161](#) [72.330.1035.1](#) [73.353.4028.0](#) [F119300-B](#) [F166900](#) [F258300-B](#) [F358300-B](#)
[F407400](#) [F444110](#) [F487000](#) [F509500B-B](#) [827153-1](#) [8N1515-32-24P](#) [9-1326729-8](#) [925474-1](#) [928905-1](#) [964562-4](#) [968782-1](#) [GT17SA-8DS-](#)
[HU](#) [98891-1012](#) [98947-1016](#) [12004147](#) [12004475-L](#) [12010290](#) [12010309-B](#) [12015454](#) [12020219-B](#) [12020308](#) [12041318-B](#) [12052225-L](#)
[12052466](#) [12059125](#) [12064869](#) [12004327-B](#) [12010503-B](#) [12015308](#) [12015384](#) [12015909](#) [1-21030-1](#) [12041254](#) [12041318](#) [12047946-B](#)
[12047957](#) [12047957-L](#) [12059473](#) [12066261](#)