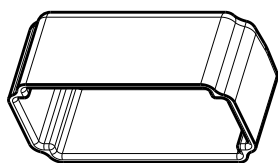
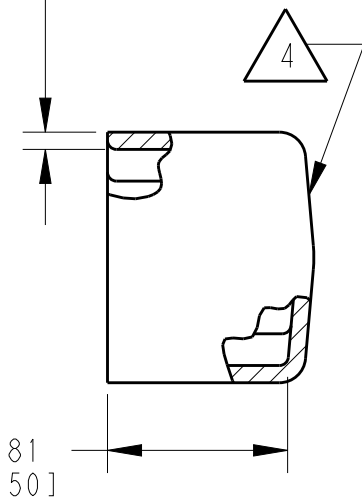
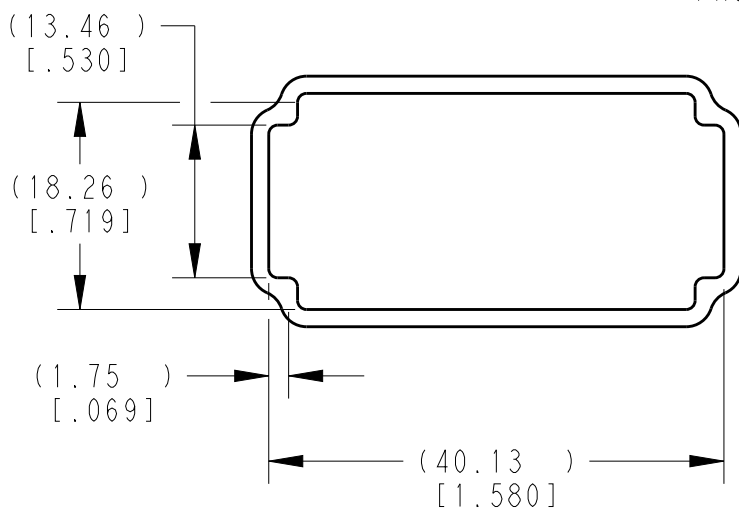


LOC	DIST	REVISIONS				
P	LTR	DESCRIPTION	DATE	DWN	APVD	
	A	NEW RELEASE PER ECO-14-010245	05AUG2014	DM	DM	
	A1	REVISED PER PCN E-19-014643	31OCT2019	JA	IG	



SCALE 3:4

1.52±0.25
 [.060±.010]
 MEASURED 6.35±0.64
 [.250±.025]
 FROM OPEN END



4 SMALL MATERIAL EXTENSION IS ACCEPTABLE ON THIS END ALL AROUND.

3. THIS ACCESSORY PART IS PROVIDED WITHOUT TYPICAL TRANSPORTATION INDUSTRY PROCESS CONTROLS. NO VALIDATION TESTING HAS BEEN PERFORMED. CUSTOMER IS RESPONSIBLE FOR DETERMINING PRODUCT PERFORMANCE AND SUITABILITY FOR APPLICATION.
2. TEMPERATURE RATING: -29°C TO +100°C [-20°F TO +212°F]
1. THIS PART IS USED ON DTM04-12PX (X=A,B,C,D KEYS) RECEPTACLES WITH ANY MODIFICATION.

NOTES:

TE INTERNAL PN	DEUTSCH PN
DTM12P-DC	DTM12P-DC

2019 RELEASED FOR PUBLICATION

TE CONNECTIVITY, ALL RIGHTS RESERVED. COPYRIGHT 2014

DIMENSIONS: mm [INCHES]	DWN D.MEYER	05AUG2014	MATERIAL	PVC	FINISH	GRAY
	CHK B.MILLIGAN	05AUG2014	TE Connectivity			
TOLERANCES UNLESS OTHERWISE SPECIFIED:	APVD D.MEYER	05AUG2014				
0 PLC ±	PRODUCT SPEC		SIZE	CAGE CODE	DRAWING NO	RESTRICTED TO
1 PLC ±	APPLICATION SPEC		A 4	4AFU8	©-DTM12P-DC	-
2 PLC ±			WEIGHT	4.27g		
3 PLC ±0.64 [.025]			CUSTOMER DRAWING	SCALE	3:2	SHEET 1 OF 1
4 PLC ±						REV A1
ANGLES ±5°						

X-ON Electronics

Largest Supplier of Electrical and Electronic Components

Click to view similar products for [Automotive Connectors](#) category:

Click to view products by [TE Connectivity](#) manufacturer:

Other Similar products are found below :

[003-018-000](#) [60403001](#) [60993906-B](#) [M902-2131](#) [M902-2161](#) [72.330.1035.1](#) [73.353.4028.0](#) [F119300-B](#) [F166900](#) [F258300-B](#) [F358300-B](#)
[F407400](#) [F444110](#) [F487000](#) [F509500B-B](#) [827153-1](#) [8N1515-32-24P](#) [9-1326729-8](#) [925474-1](#) [928905-1](#) [964562-4](#) [968782-1](#) [GT17SA-8DS-](#)
[HU](#) [98891-1012](#) [98947-1016](#) [12004147](#) [12004475-L](#) [12010290](#) [12010309-B](#) [12015454](#) [12020219-B](#) [12020308](#) [12041318-B](#) [12052225-L](#)
[12052466](#) [12059125](#) [12064869](#) [12004327-B](#) [12010503-B](#) [12015308](#) [12015384](#) [12015909](#) [1-21030-1](#) [12041254](#) [12041318](#) [12047946-B](#)
[12047957](#) [12047957-L](#) [12059473](#) [12066261](#)