

Offenders will be held liable for the payment of damages. All rights reserved in the event of the grant of a patent, utility model or ornamental design registration.

The copying, distribution and utilization of this document as well as the communication of its contents to others without expressed authorization is prohibited.

1 2 3 4 5 6 7 8

A

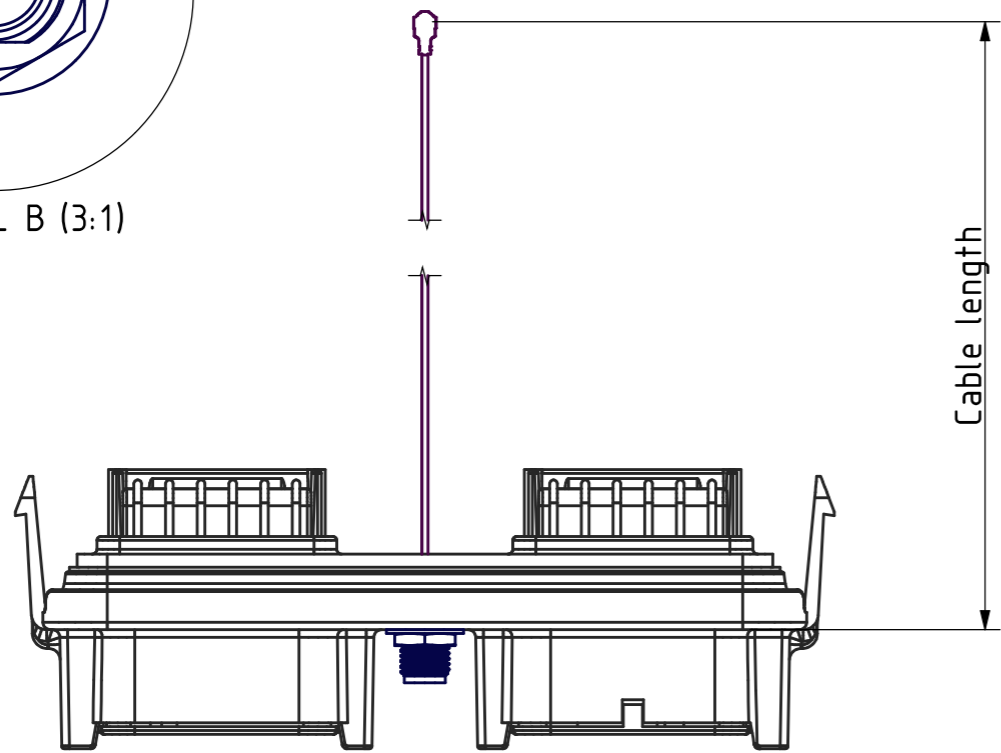
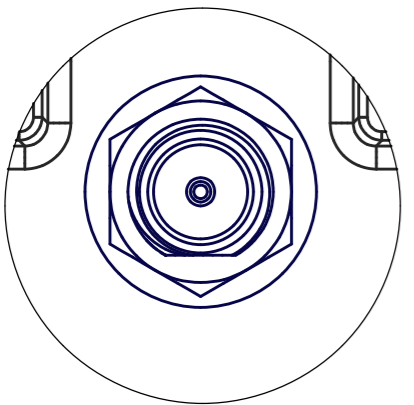
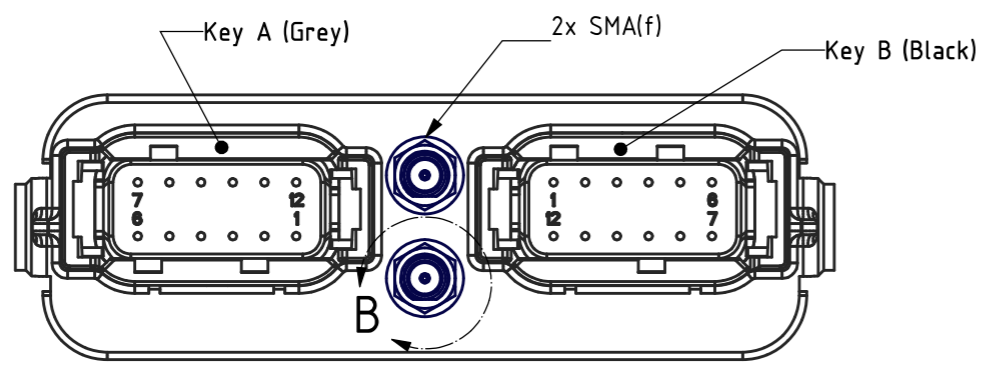
B

C

D

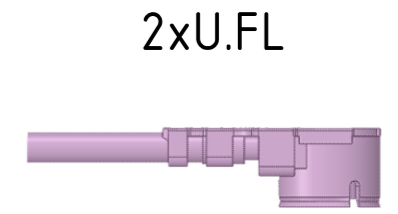
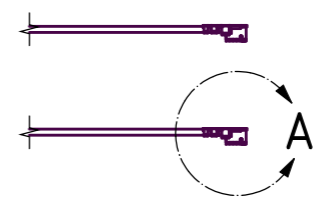
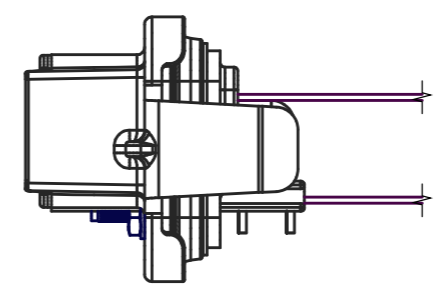
E

F

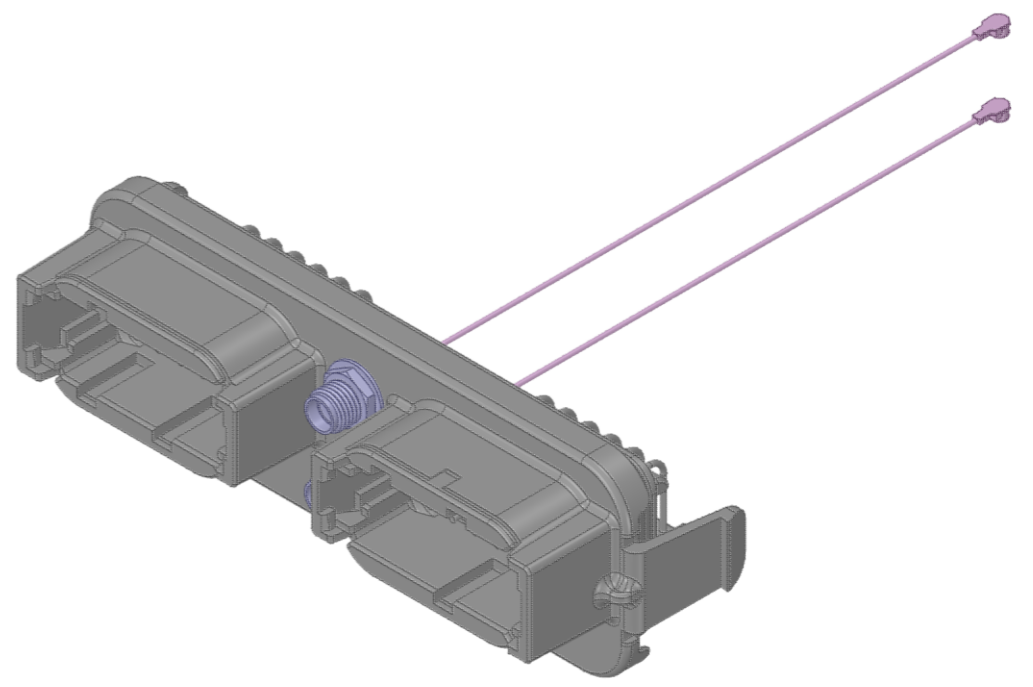


1. Dimensions are in mm
2. Dimension tolerance $\pm 0.025\text{mm}$
3. Contact plating mating side: nickel; PCB side: tin
4. This EEC Box header (receptacle) mates with DTM06-12SA-*** and DTM06-12SB-*** plug
5. This header is used with the enclosure EEC-325X4*-****
6. Contacts #20 rating: 7.5A continuous each
7. For detailed dimensions see drawing DTM13-12PA-12PB-R008

Part Number	Cable length
DTM13-12PA-12PB-R203	100mm
DTM13-12PA-12PB-R205	120mm



DETAIL A
SCALE 5:1



Applicable for:		Tolerances	Surface	Scale	Dimensions	Projection
Deutsch EEC Box System for professional electronics		DIN 16 901 - 140		1:1	mm [in]	Third Angle
		Date	Name	Material		
		Drawn	18.01.2020	Title, description		
		Chk.				
		Modified	19.03.2020			
					Drawing No.	
					DTM13-12PA-12PB-Rx_SMA	
					Sheet / Sheets	
					1 / 1	
Rev	Change	Date	Name	File: DTM13-12-PA-12PB-Rx-SMA.rsdoc		

1 2 3 4 5 6 7 8 A3

A

B

C

D

E

F

X-ON Electronics

Largest Supplier of Electrical and Electronic Components

Click to view similar products for [Automotive Connectors](#) category:

Click to view products by [TE Connectivity](#) manufacturer:

Other Similar products are found below :

[003-018-000](#) [600858](#) [60403001](#) [60993906-B](#) [60993913-B](#) [629515004020001](#) [M902-2131](#) [M902-2161](#) [M902-2344](#) [72.330.1035.1](#)
[73.353.4028.0](#) [F118010](#) [F119300-B](#) [F132210](#) [F132210-B](#) [F166900](#) [F180100](#) [F258300](#) [F258300-B](#) [F294300-B](#) [F339100](#) [F339700](#) [F358300-](#)
[B](#) [F374110](#) [F407400](#) [F412210](#) [F427600](#) [F444110](#) [F487000](#) [F495100-B](#) [F500900-B](#) [F509500B-B](#) [770444-1](#) [776880-1](#) [827153-1](#) [881735-1](#)
[8N1515-32-24P](#) [9-1326727-8](#) [9-1326729-8](#) [925467-1](#) [925474-1](#) [928905-1](#) [936398-2](#) [964562-1](#) [964562-4](#) [964731-2](#) [965051-1](#) [968782-1](#)
[GT17SA-8DS-HU](#) [GT17VS-10DP-5.2CF](#)