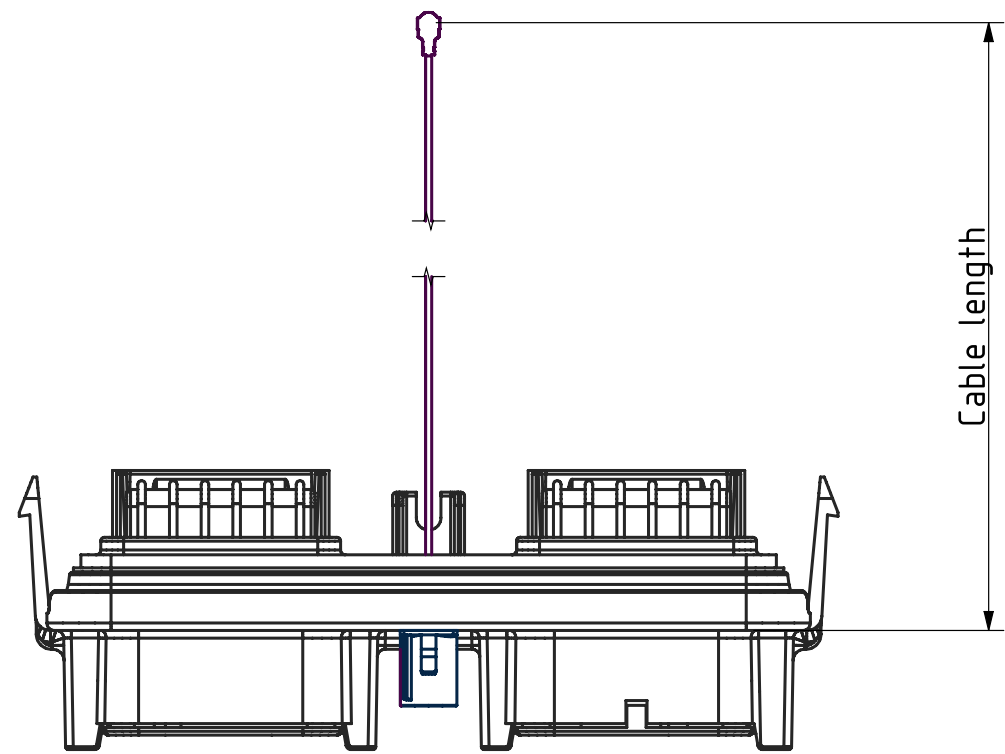
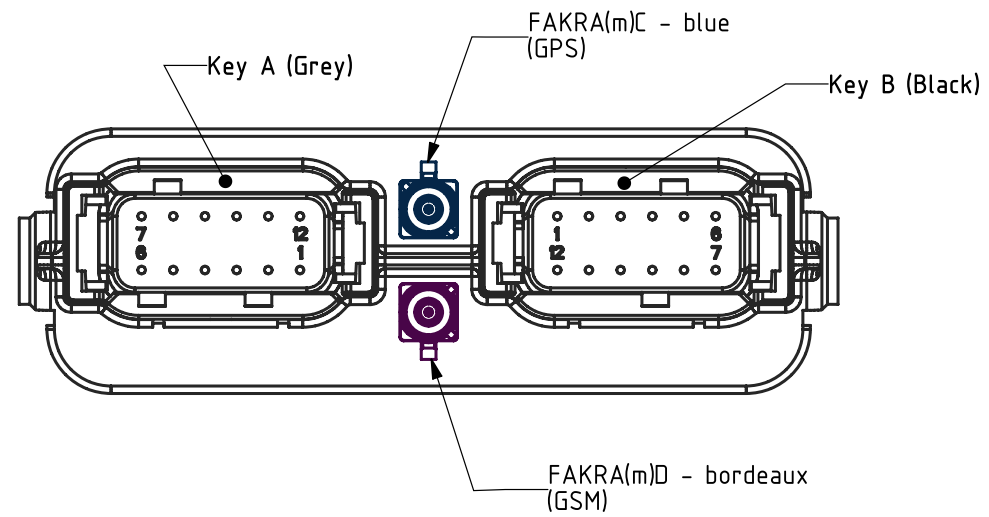


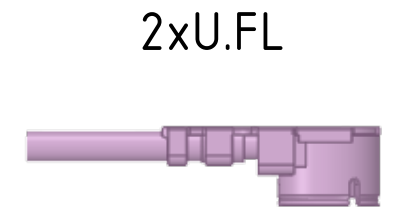
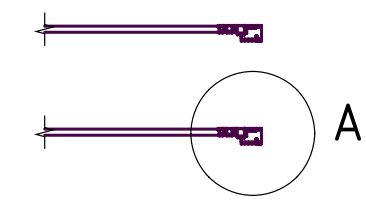
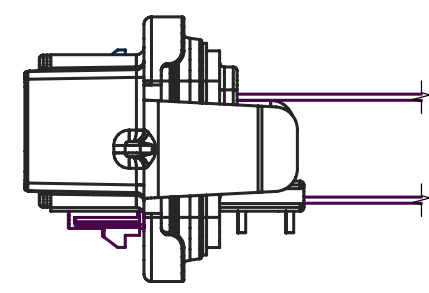
Offenders will be held liable for the payment of damages. All rights reserved in the event of the grant of a patent, utility model or ornamental design registration.

The copying, distribution and utilization of this document as well as the communication of its contents to others without expressed authorization is prohibited.

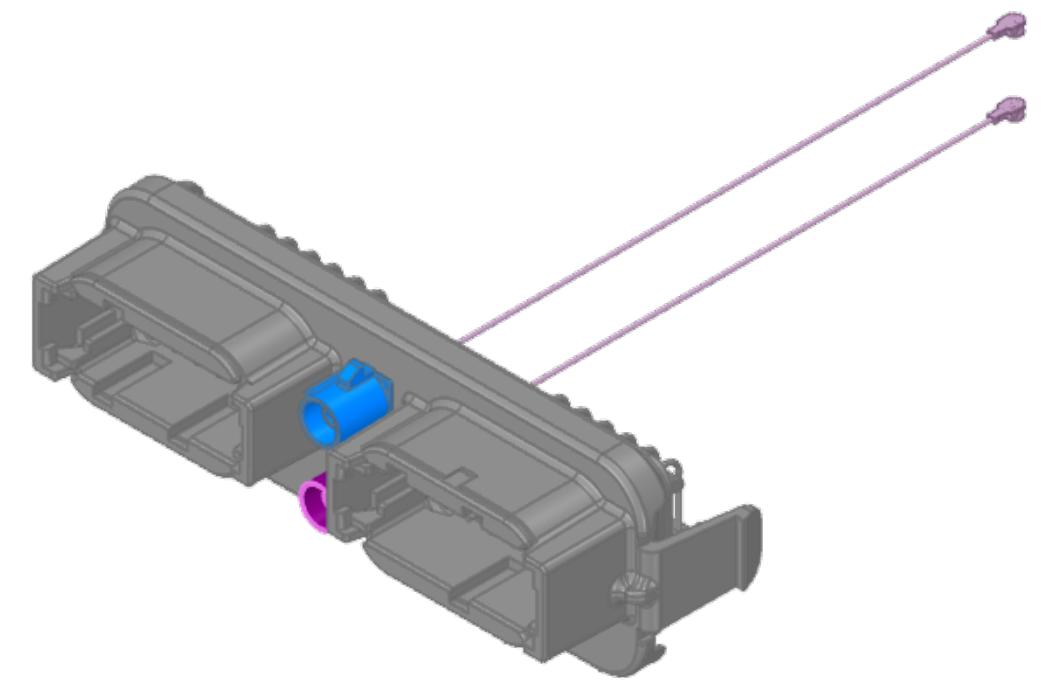


1. Dimensions are in mm
2. Dimension tolerance  $\pm 0.025\text{mm}$
3. Contact plating mating side: nickel; PCB side: tin
4. This EEC Box header (receptacle) mates with DTM06-12SA-\*\*\* and DTM06-12SB-\*\*\* plug
5. This header is used with the enclosure EEC-325X4\*-\*\*\*\*
6. Contacts #20 rating: 7.5A continuous each
7. For detailed dimensions see drawing DTM13-12PA-12PB-R008

Part Number	Cable length
DTM13-12PA-12PB-R201	100mm
DTM13-12PA-12PB-R204	120mm



DETAIL A  
SCALE 5:1



Applicable for:		Tolerances	Surface	Scale	Dimensions	Projection
Deutsch EEC Box System for professional electronics		DIN 16 901 - 140		1:1	mm [in]	Third Angle
		Date	Name	Material		
		Drawn	18.01.2020	Title, description		
		Chk.				
		Modified	19.03.2020			
					Drawing No.	
					DTM13-12-PA-12PB-Rxxx	
Rev	Change	Date	Name	File: DTM13-12-PA-12PB-Rx-FAKRA.rsdoc		

## X-ON Electronics

Largest Supplier of Electrical and Electronic Components

*Click to view similar products for [Automotive Connectors](#) category:*

*Click to view products by [TE Connectivity](#) manufacturer:*

Other Similar products are found below :

[003-018-000](#) [600858](#) [60403001](#) [60993906-B](#) [60993913-B](#) [629515004020001](#) [M902-2131](#) [M902-2161](#) [M902-2344](#) [72.330.1035.1](#)  
[73.353.4028.0](#) [F118010](#) [F119300-B](#) [F132210](#) [F132210-B](#) [F166900](#) [F180100](#) [F258300](#) [F258300-B](#) [F294300-B](#) [F339100](#) [F339700](#) [F358300-](#)  
[B](#) [F374110](#) [F407400](#) [F412210](#) [F427600](#) [F444110](#) [F487000](#) [F495100-B](#) [F500900-B](#) [F509500B-B](#) [770444-1](#) [776880-1](#) [827153-1](#) [881735-1](#)  
[8N1515-32-24P](#) [9-1326727-8](#) [9-1326729-8](#) [925467-1](#) [925474-1](#) [928905-1](#) [936398-2](#) [964562-1](#) [964562-4](#) [964731-2](#) [965051-1](#) [968782-1](#)  
[GT17SA-8DS-HU](#) [GT17VS-10DP-5.2CF](#)