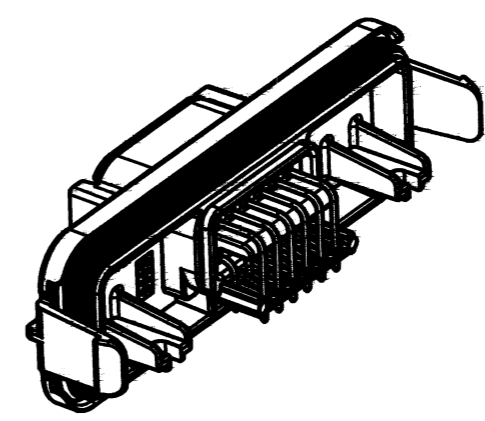
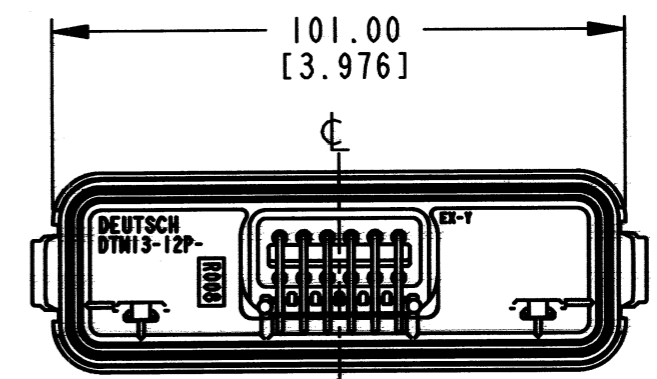
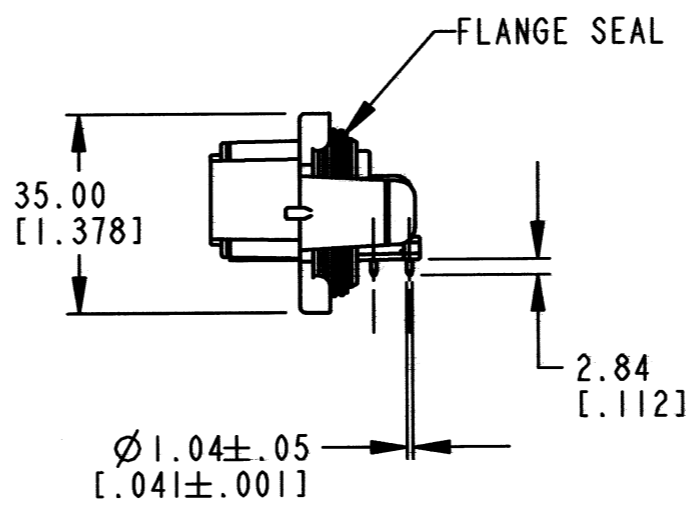
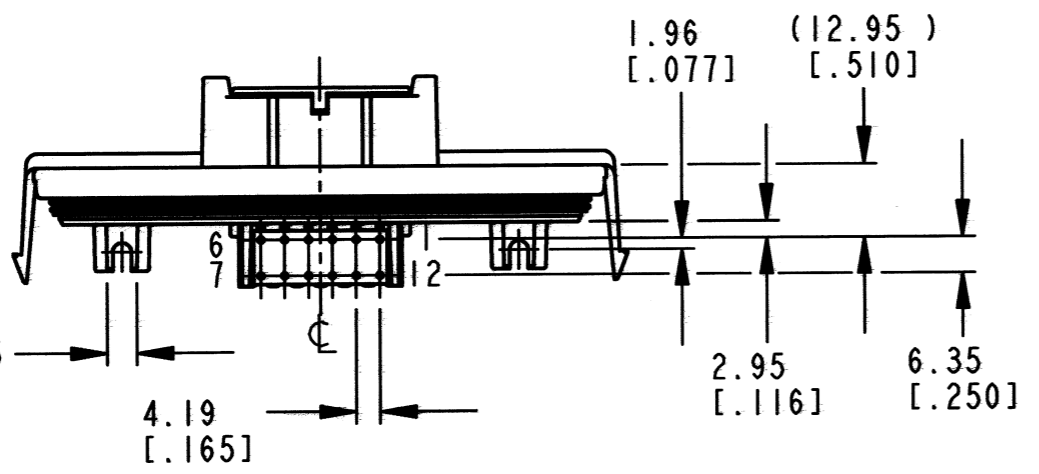
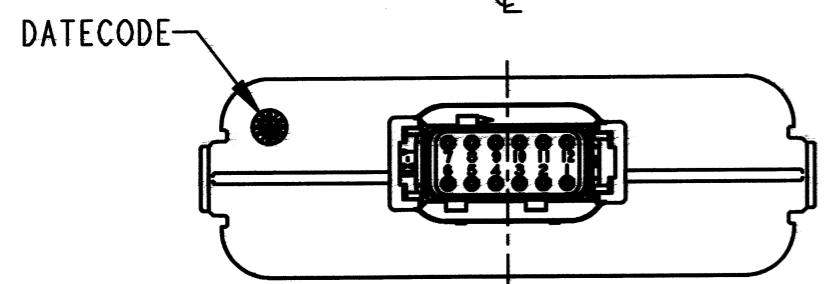
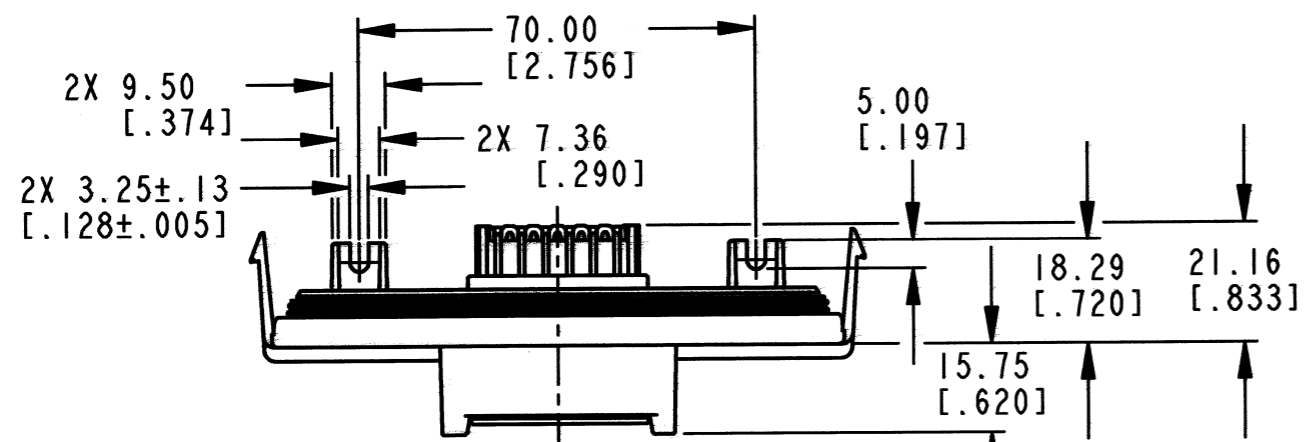


REV  
D **DTM13-12P\*-GR01**

REVISIONS			
SYM	DESCRIPTION	DATE	APPROVED
A	REVISED PER E.O. P17241	4-20-01	R.D.R.
B	REVISED PER E.O. P18708	7-29-05	R.D.R.
C	REVISED PER E.O. P19335	8/3/06	RDR
D	REVISED PER E.O. P20972	11-7-11	RDR

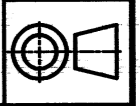


7. SEE SHEET 2 FOR OTHER KEY ARRANGEMENTS.
  6. THIS RECEPTACLE IS USED WITH EEC-325X4(A OR B) ENCLOSURE. SEE ENVELOPE DRAWING EEC-325X4A/EEC-325X4B FOR ENCLOSURE INFORMATION.
  5. THIS RECEPTACLE MATES WITH DTM06-12S\*-\*\*\*\*\* PLUG. (\* = A,B,C,D KEYS; \*\*\*\*\* = ALL MODIFICATIONS).
  4. MATERIAL - PLASTIC (BLACK); SEALS: RUBBER.
  3. CONTACT PLATING - MATING SIDE: GOLD; PCB SIDE: TIN (-GR01 MOD).
  2. DIMENSION TOLERANCE: ±.64 [.025].
  1. DIMENSIONS ARE IN MILLIMETERS [IN].
- NOTES: UNLESS OTHERWISE SPECIFIED

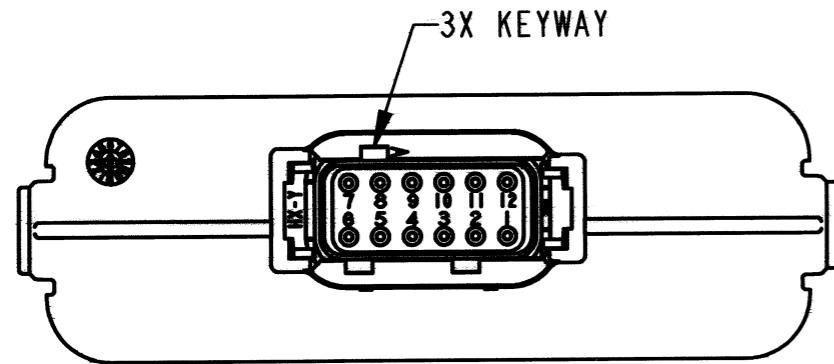
SIGNATURE & DATE	
DR	D. MEYER 11/29/00
CHK	[Signature] 11/07/2011
PE	[Signature] 9/26/11
APPD	[Signature] 11/7/11
SCALE	NONE WT

RECEPTACLE  
12 #20 SIZE CONTACT  
KEY ARRANGEMENTS A,B,C,D  
-GR01 MOD  
DTM SERIES  
ENVELOPE

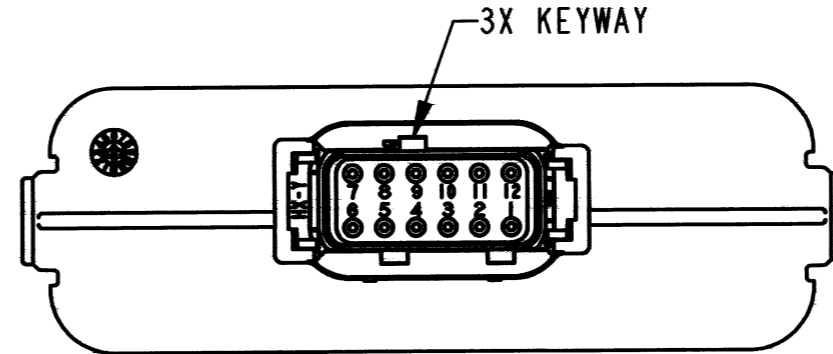
EP	EPI05	MATL. CODE
		3850 INDUSTRIAL AVE. HEMET, CA 92545
<b>B</b>	<b>DTM13-12P*-GR01</b>	
DWG SIZE	CODE 11139	SHEET 1 OF 2



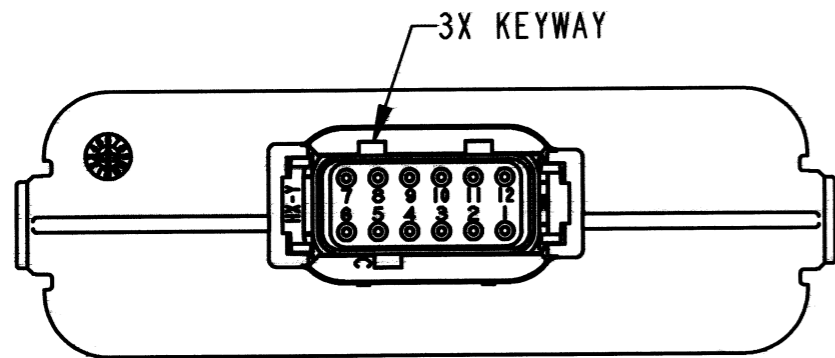
REV	SYM	REVISIONS		
		DESCRIPTION	DATE	APPROVED
D	DTM13-12P*-GR01	SEE SHEET ONE	11-7-11	RDR



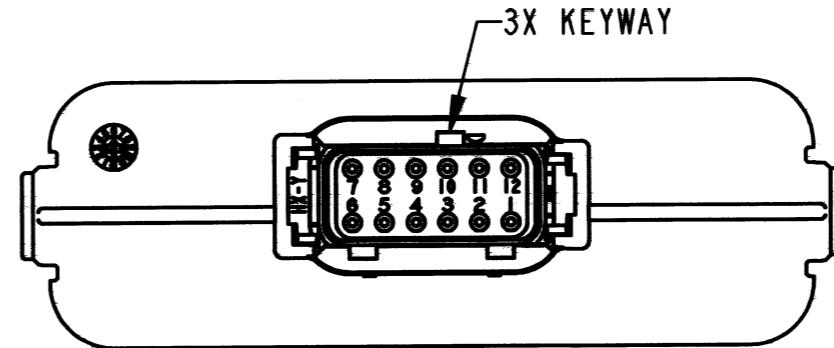
**DTM13-12PA-GR01**  
**KEY -A-**  
**SLEEVE COLOR: GREY**



**DTM13-12PB-GR01**  
**KEY -B-**  
**SLEEVE COLOR: BLACK**



**DTM13-12PC-GR01**  
**KEY -C-**  
**SLEEVE COLOR: GREEN**



**DTM13-12PD-GR01**  
**KEY -D-**  
**SLEEVE COLOR: BROWN**

NOTES:

SIGNATURE & DATE		RECEPTACLE 12 #20 SIZE CONTACT KEY ARRANGEMENTS A,B,C,D -GR01 MOD DTM SERIES ENVELOPE	EP EPI05	MATL. CODE
DR	D. MEYER 11/29/00		3850 INDUSTRIAL AVE. HEMET, CA 92545	
CHK	<i>[Signature]</i> 11/07/2011		<b>DEUTSCH</b> INDUSTRIAL	
PE	<i>[Signature]</i> 9/26/11		<b>B</b> <b>DTM13-12P*-GR01</b>	
APPD	<i>[Signature]</i> 11/7/11		DWG SIZE	CODE 11139 SHEET 2 OF 2
SCALE	NONE	WT		

## X-ON Electronics

Largest Supplier of Electrical and Electronic Components

*Click to view similar products for [Automotive Connectors](#) category:*

*Click to view products by [TE Connectivity](#) manufacturer:*

Other Similar products are found below :

[003-018-000](#) [60403001](#) [60993906-B](#) [M902-2131](#) [M902-2161](#) [72.330.1035.1](#) [73.353.4028.0](#) [F119300-B](#) [F166900](#) [F258300-B](#) [F358300-B](#)  
[F407400](#) [F444110](#) [F487000](#) [F509500B-B](#) [827153-1](#) [8N1515-32-24P](#) [9-1326729-8](#) [925474-1](#) [928905-1](#) [964562-4](#) [968782-1](#) [GT17SA-8DS-](#)  
[HU](#) [98891-1012](#) [98947-1016](#) [12004147](#) [12004475-L](#) [12010290](#) [12010309-B](#) [12015454](#) [12020219-B](#) [12020308](#) [12041318-B](#) [12052225-L](#)  
[12052466](#) [12059125](#) [12064869](#) [12004327-B](#) [12010503-B](#) [12015308](#) [12015384](#) [12015909](#) [1-21030-1](#) [12041254](#) [12041318](#) [12047946-B](#)  
[12047957](#) [12047957-L](#) [12059473](#) [12066261](#)