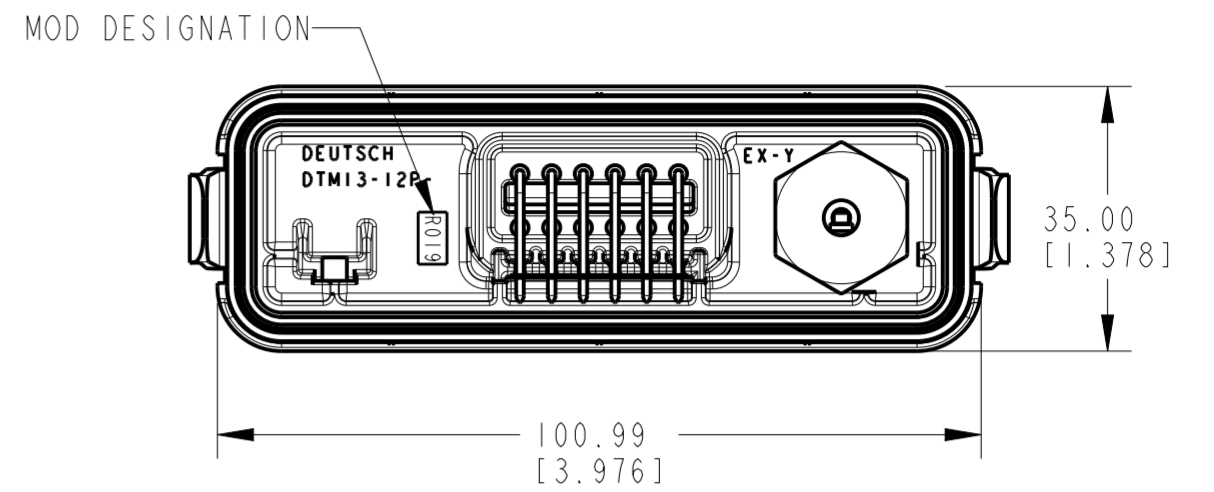
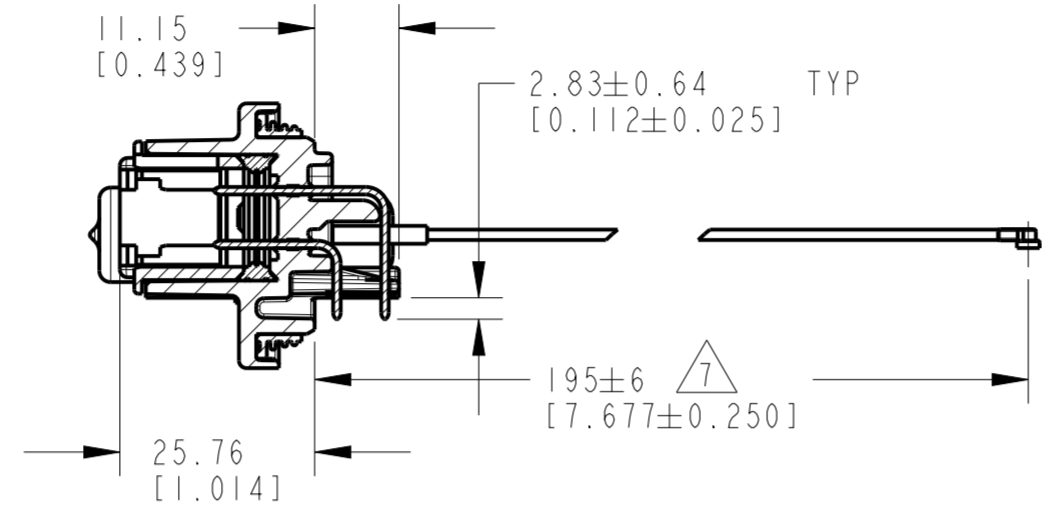
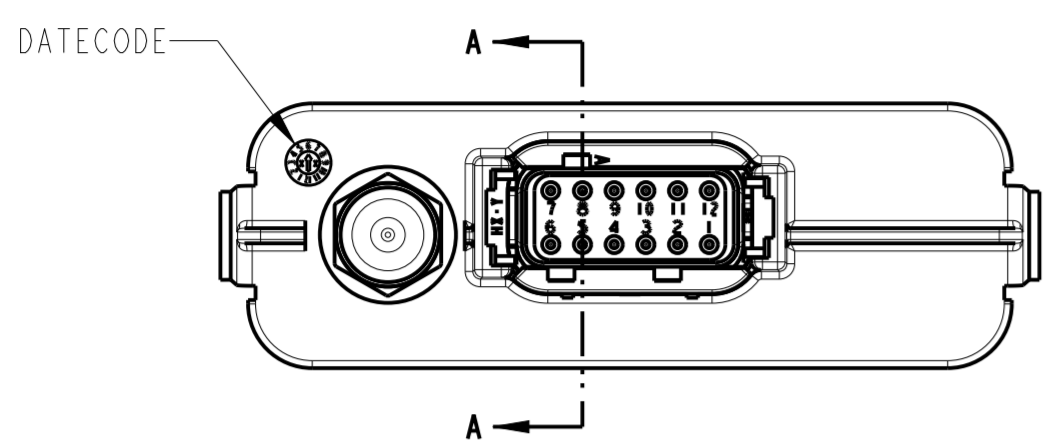
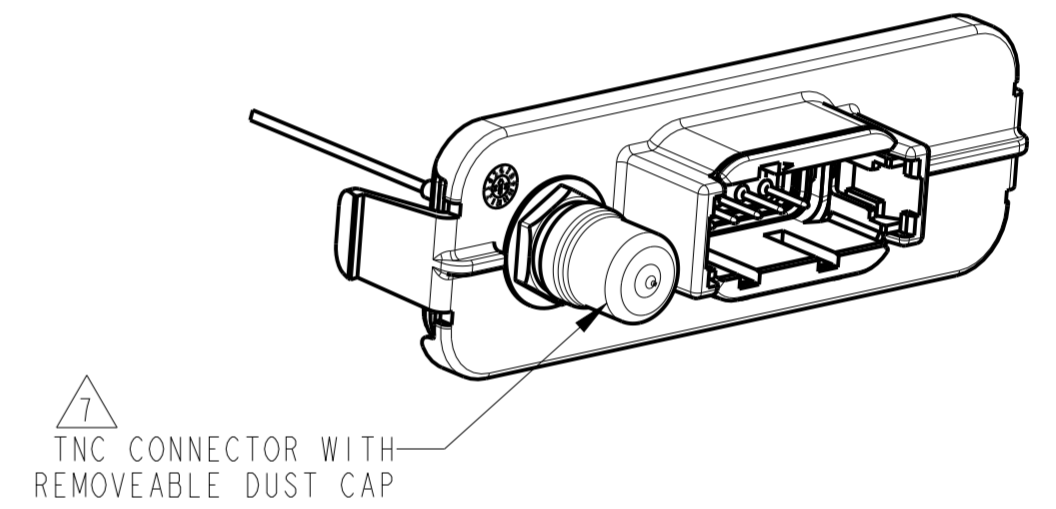
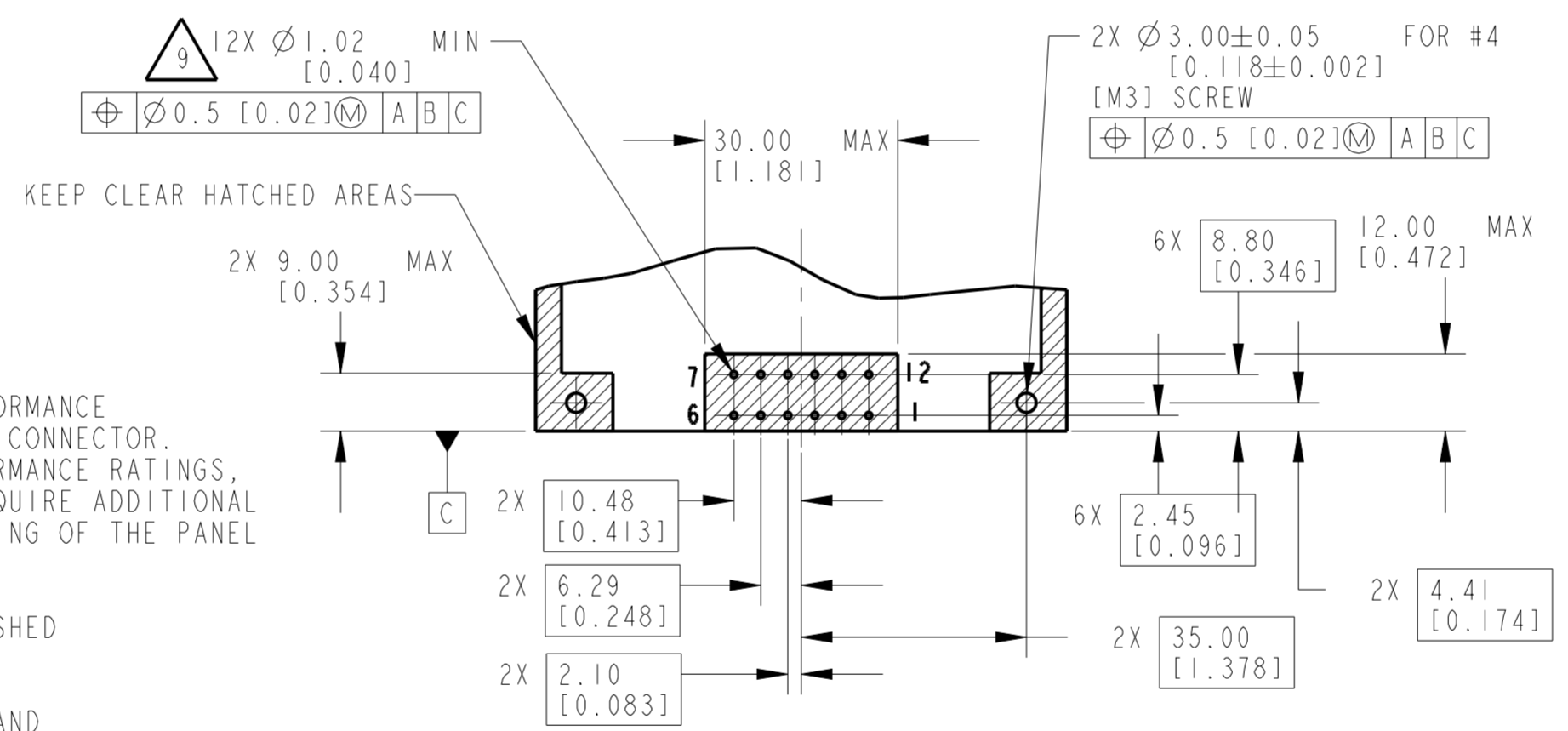
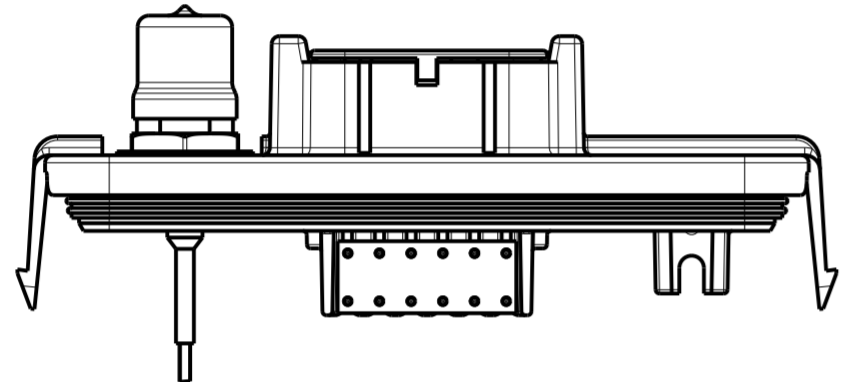


REVISIONS				
P	LTR	DESCRIPTION	DATE	APVD
A1		REVISED PER ECR-20-001935	11FEB2020	MK IG
A2		REVISED PER ECR-20-009832	09JUL2020	DB IG
A3		REVISED PER PCN E-20-010705	28JUL2020	DB IG
A4		REVISED PER PCN E-21-000918	22JAN2021	DB IG



SECTION A-A



3D VIEWS

10. SEE PRODUCT SPEC 108-151090 FOR PERFORMANCE RATINGS. PERFORMANCE RATINGS MAY BE REDUCED WITH REPECT TO THE INSTALLED TNC CONNECTOR. THE TNC PANEL NUT HAS BEEN TORQUED TO MEET INTERNAL PERFORMANCE RATINGS, HOWEVER CUSTOMER SPECIFIC APPLICATION REQUIREMENTS MAY REQUIRE ADDITIONAL PROCESSING AND/OR COMPONENTS TO PREVENT UNINTENDED LOOSENING OF THE PANEL NUT AND REDUCED SEAL PERFORMANCE.

9. MINIMUM RECOMMENDED HOLE SIZE. CUSTOMER TO DETERMINE FINISHED HOLE SIZE BASED ON SOLDER PROCESS, THRU-HOLE PLATING, ETC.

8. SEE DRAWING EEC-325X4A/B FOR FULL PCB SIZE SPECIFICATION AND COMPONENT HEIGHT RESTRICTIONS.

7. TNC CONNECTOR INCLUDES 195±6 mm [7.677±.250 in] CABLE AND UMCC CONNECTOR APPLIED TO END OF CABLE FOR CONNECTION TO PCB. SEE DRAWING 2016456 FOR FULL TNC CONNECTOR SPECIFICATIONS. TNC CONNECTOR IS SUPPLIED WITH REMOVEABLE DUST CAP.

6. SEE SHEET 2 FOR OTHER KEY ARRANGEMENTS.

5. THIS RECEPTACLE IS USED WITH EEC-325X4(A OR B) ENCLOSURE. SEE ENVELOPE DRAWING EEC-325X4A/EEC-325X4B FOR ENCLOSURE INFORMATION.

4. THIS RECEPTACLE MATES WITH DTM06-12S\*-\*\*\*\* PLUG. (\* = A,B,C,D KEYS; \*\*\*\* = ALL MODIFICATIONS).

3. MATERIAL: HOUSING: PA46 GF30 BLACK; SEALS: SILICONE RUBBER; CONTACTS: COPPER ALLOY.

2. CONTACT PLATING: MATING SIDE: NICKEL; PCB SIDE: TIN.

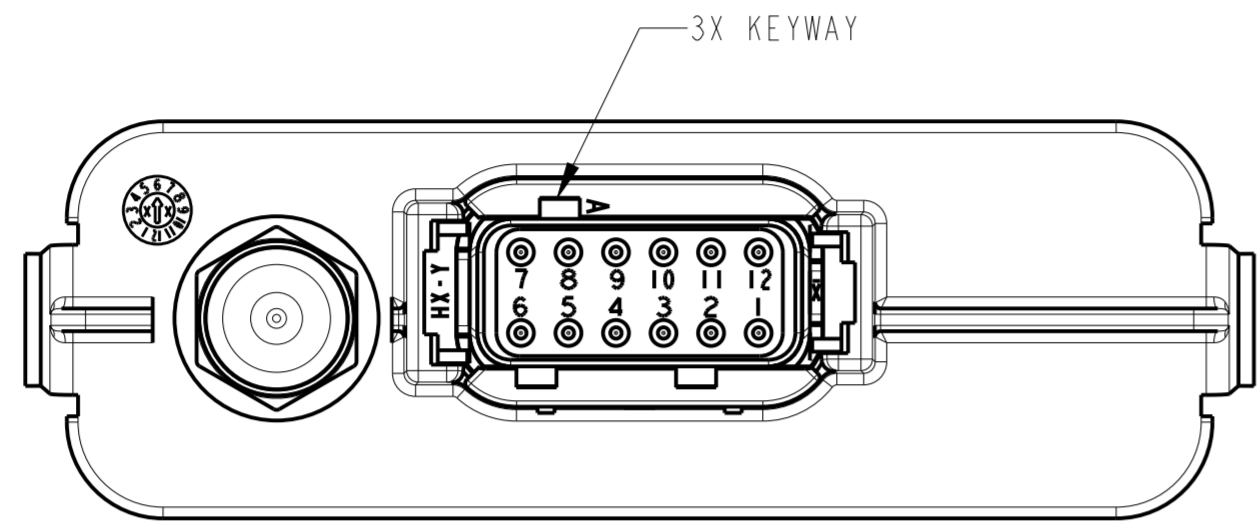
1. DIMENSIONS ARE IN MILLIMETERS [IN].

NOTES: UNLESS OTHERWISE SPECIFIED

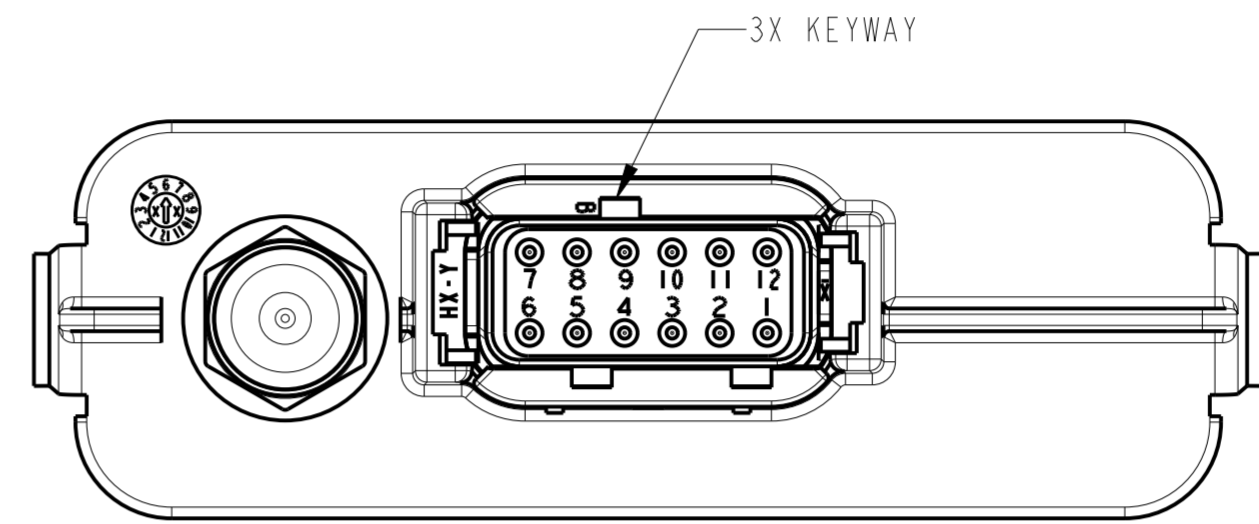
TCPN	ALIAS PART NUMBER
2333580-1	DTM13-12PA-R019
2333580-2	DTM13-12PB-R019
2333580-3	DTM13-12PC-R019
2333580-4	DTM13-12PD-R019

THIS DRAWING IS A CONTROLLED DOCUMENT.		DWN K. McKEE 23MAR2018	TE Connectivity	
DIMENSIONS: mm [in]		CHK K. McKEE 20AUG2018		
TOLERANCES UNLESS OTHERWISE SPECIFIED:		APVD D. MEYER 20AUG2018	NAME RECEPTACLE HEADER 12 POS, #20 SIZE CONTACT R019 MOD, DTM SERIES	
0 PLC ±	1 PLC ±	PRODUCT SPEC	SIZE	CAGE CODE
2 PLC ±0.25 [0.010]	3 PLC ±	APPLICATION SPEC	A2	4AFU8
4 PLC ±	ANGLES ±0°30'0	FINISH	DRAWING NO DTM13-12PX-R019	
MATERIAL		WEIGHT	RESTRICTED TO	
		63.2 g	-	
		CUSTOMER DRAWING	SCALE	SHEET
			1:1	1 OF 2
				REV A4

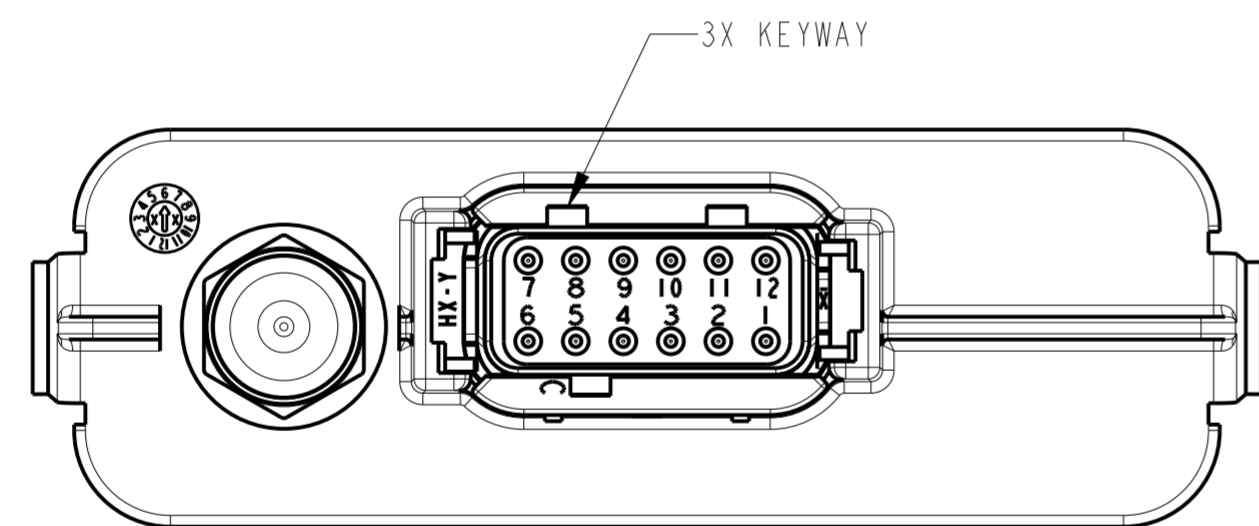
REVISIONS				
P	LTR	DESCRIPTION	DATE	APVD
-		SEE SHEET 1	-	-



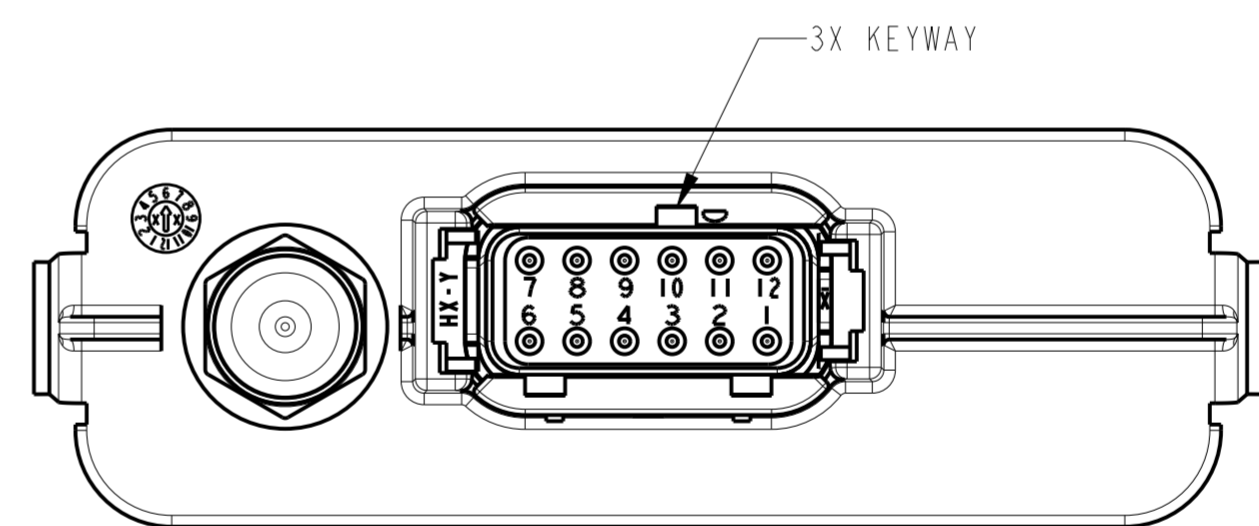
DTM13-12PA-R019  
 KEY -A-  
 SLEEVE COLOR: GREY



DTM13-12PB-R019  
 KEY -B-  
 SLEEVE COLOR: BLACK



DTM13-12PC-R019  
 KEY -C-  
 SLEEVE COLOR: GREEN



DTM13-12PD-R019  
 KEY -D-  
 SLEEVE COLOR: BROWN

THIS DRAWING IS A CONTROLLED DOCUMENT.		DWN K. McKEE 23MAR2018	TE Connectivity
DIMENSIONS: mm [in]		CHK K. McKEE 20AUG2018	
TOLERANCES UNLESS OTHERWISE SPECIFIED:		APVD D. MEYER 20AUG2018	
0 PLC ± 1 PLC ± 2 PLC ±0.25 [.010] 3 PLC ± 4 PLC ± ANGLES ±0°30'0" FINISH		PRODUCT SPEC APPLICATION SPEC	
MATERIAL		WEIGHT 63.2 g	NAME RECEPTACLE HEADER 12 POS, #20 SIZE CONTACT R019 MOD, DTM SERIES
		CUSTOMER DRAWING	SIZE A2 CAGE CODE 4AFU8 DRAWING NO DTM13-12PX-R019 RESTRICTED TO -
		SCALE 1:1	SHEET 2 OF 2 REV A4

## X-ON Electronics

Largest Supplier of Electrical and Electronic Components

*Click to view similar products for [Headers & Wire Housings](#) category:*

*Click to view products by [TE Connectivity](#) manufacturer:*

Other Similar products are found below :

[892-18-020-10-001101](#) [58102-G61-06LF](#) [582553-1](#) [0009485154](#) [009176003701906](#) [0050291907](#) [LY20-4P-DT1-P1E-BR](#) [02.125.8002.8](#)  
[609-3404](#) [61062-3](#) [61082-181009](#) [622-3653LF](#) [63453-116](#) [636-1030](#) [636-1427](#) [636-3427](#) [636-4007](#) [641938-9](#) [641991-4](#) [644827-2](#) [65817-010LF](#) [65817-015LF](#) [65863-015LF](#) [66207-023LF](#) [67095-007LF](#) [67601157](#) [68645-018](#) [68648-049](#) [70.362.1628.0](#) [70-4210](#) [70-4226B](#) [70-4853B](#) [707-5020](#) [707-5028](#) [71.350.2428.0](#) [71918-208LF](#) [71961-016LF](#) [733-134](#) [733-162](#) [754199-000](#) [760-3052](#) [787-8014-00](#) [79531-3000](#)  
[FCN-360C032-B](#) [FCN-367T-T012/H](#) [FCN-723D010/2](#) [80.063.4001.1](#) [800-90-001-10-001000](#) [800-90-010-10-002000](#) [801-43-002-10-013000](#)