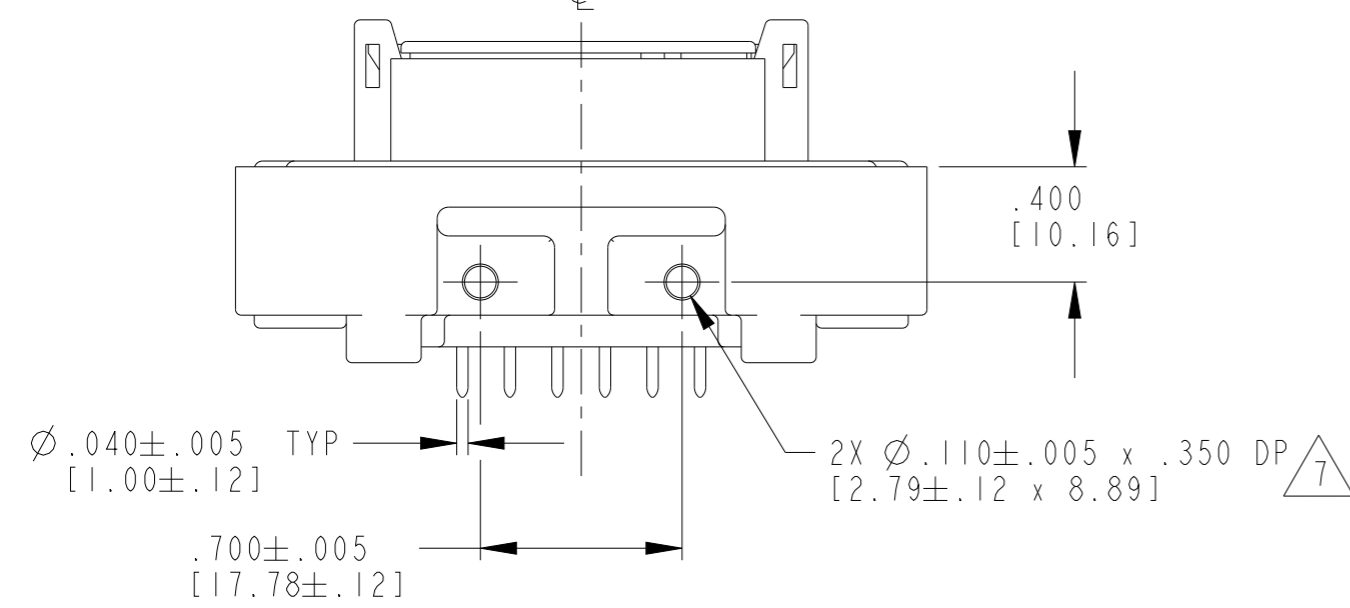
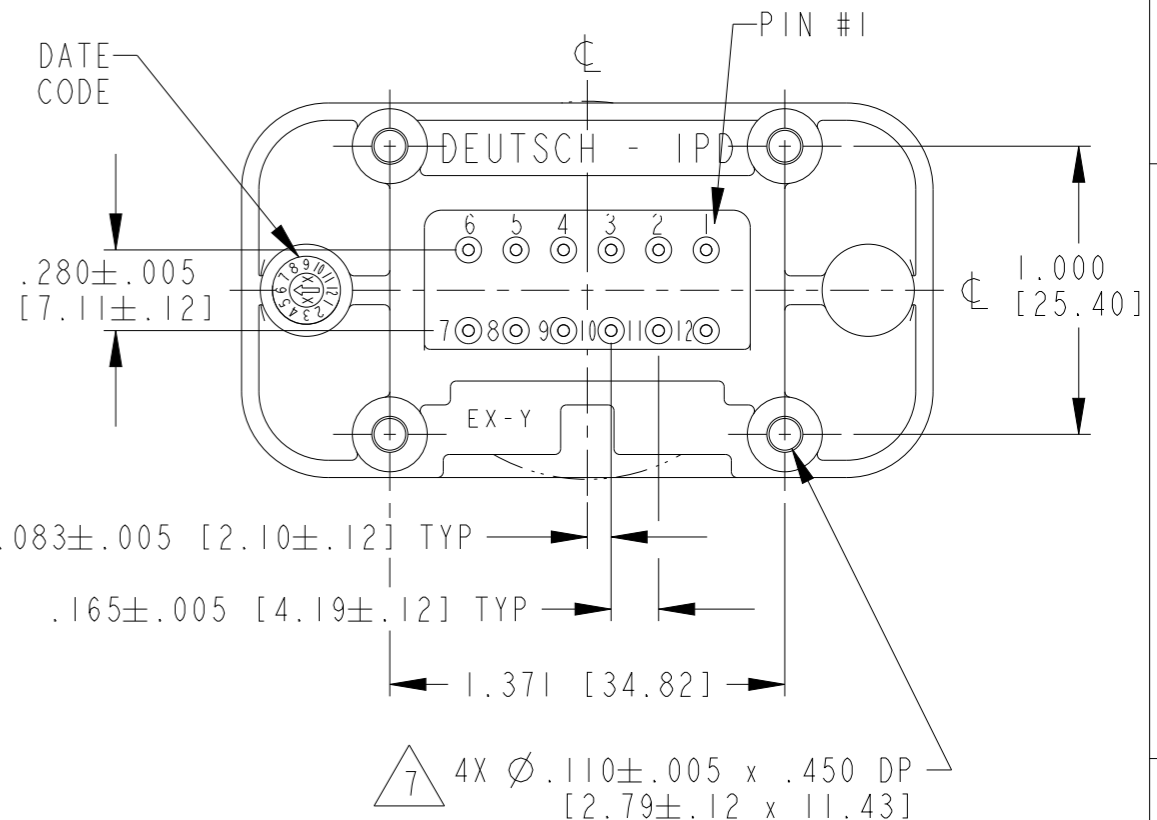
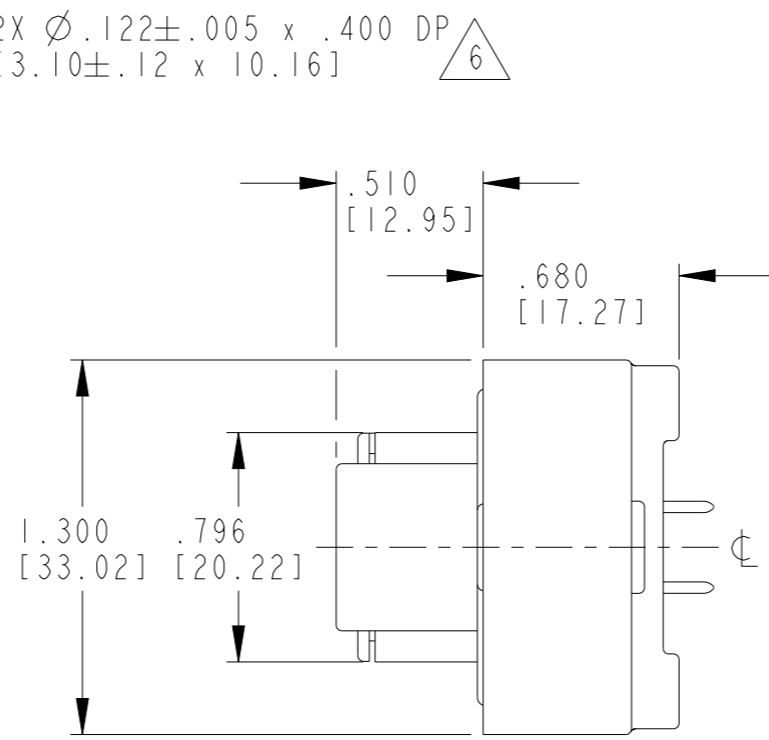
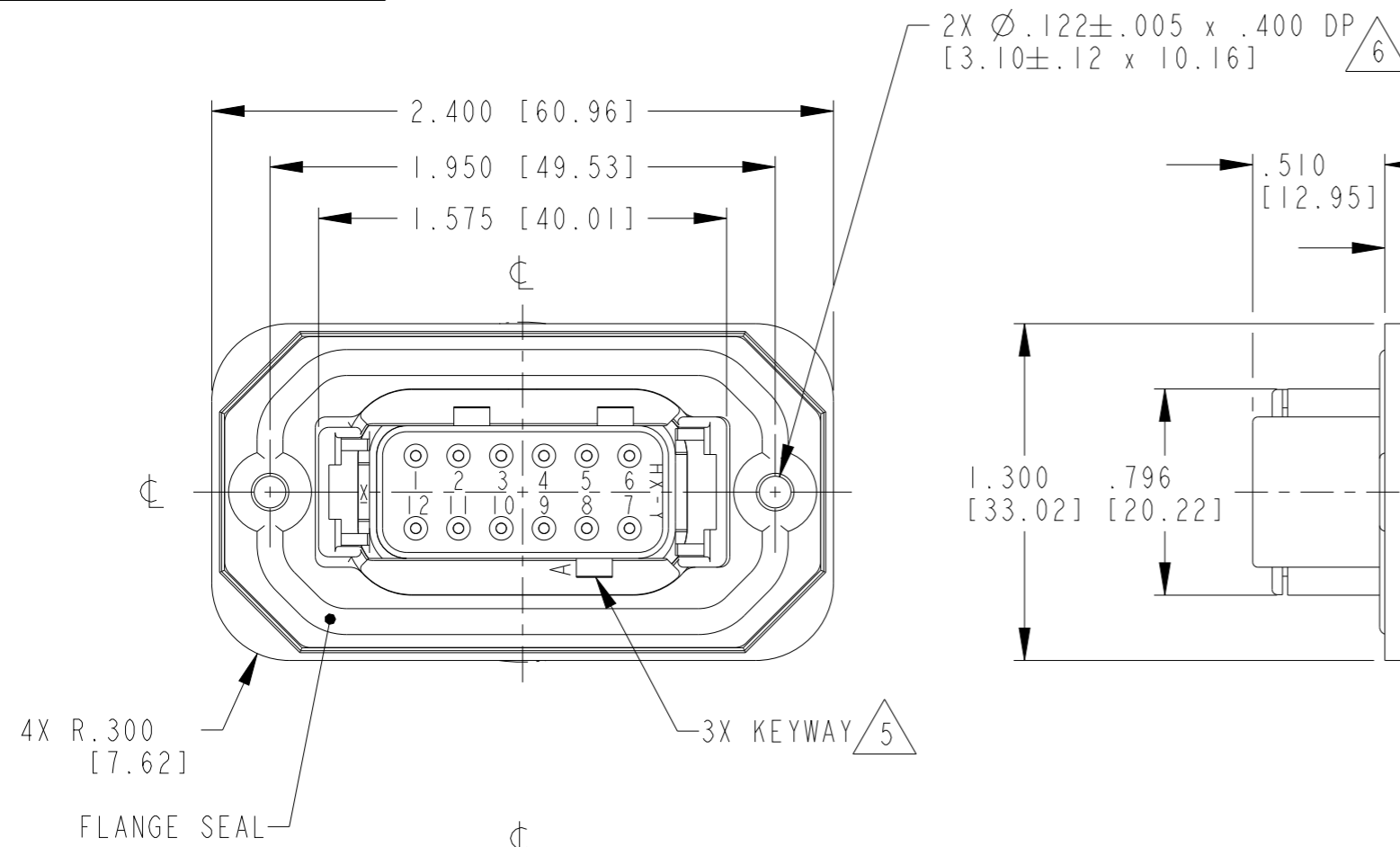


P	LTR	DESCRIPTION	DATE	DWN	APVD
	B1	ECR-21-108593	05AUG2021	DRK	IG



- 8 SURFACE FINISH: 32 RMS OR BETTER; \square .005 [.12].
- 7 RECOMMENDED SCREW: 4-20 [M3.12 x 1.27] THREAD-FORMING SCREW. TORQUE: 6-10 IN-LB [.68-1.13 NM].
- 6 RECOMMENDED SCREW: 6-19 [M3.63 x 1.34] THREAD-FORMING SCREW. TORQUE: 10-20 IN-LB [1.13-2.25 NM].
- 5 SEE SHEET 2 FOR OTHER KEY ARRANGEMENTS.

4. THIS RECEPTACLE MATES WITH DTM06-12S*-**** PLUG (*=A,B,C,D KEYS; ****=ALL MODIFICATIONS).

3. CONTACT PLATING - MATING SIDE: NICKEL; PCB SIDE: TIN

2 MATERIAL -
HOUSING & PA46 GF30; GRAY
SLEEVE RETAINER PA46 GF10 (SEE SHEET 2 FOR COLORS)
SEALS: VMQ (RED-ORANGE)
PINS: COPPER ALLOY

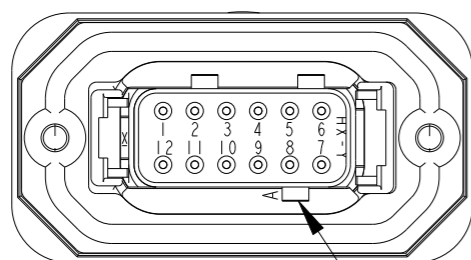
1. PANEL CUTOUT: ±.010 [.25].

NOTES:

THIS DRAWING IS A CONTROLLED DOCUMENT.		DWN	24APR2002		TE Connectivity
		CHK	R MESSENGER 21FEB2007		
DIMENSIONS: INCHES [mm]		APVD	D MEYER 21FEB2007		NAME RECEPTACLE 12 #20 SIZE CONTACTS KEY ARRANGEMENTS A, B, C AND D 180 DEG, DTM SERIES
TOLERANCES UNLESS OTHERWISE SPECIFIED: ±.025 [.64mm]		PRODUCT SPEC			
0 PLC ±- 1 PLC ±- 2 PLC ±- 3 PLC ±- 4 PLC ±- ANGLES ±-		APPLICATION SPEC			SIZE A3
MATERIAL		WEIGHT	CAGE CODE		
2		CUSTOMER DRAWING		RESTRICTED TO	-
		SCALE	3:2		SHEET
				1	OF 2
				REV	B1

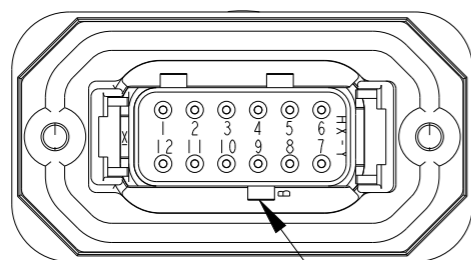
P	LTR	DESCRIPTION	DATE	DWN	APVD
-	-	SEE SHEET 1	-	-	-

DTM15-12PA
KEY: -A-



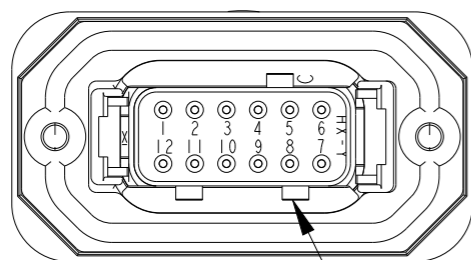
3X KEYWAY
SLEEVE RETAINER: GRAY

DTM15-12PB
KEY: -B-



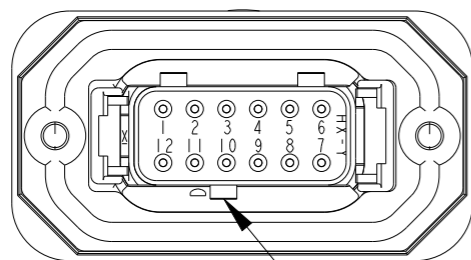
3X KEYWAY
SLEEVE RETAINER: BLACK

DTM15-12PC
KEY: -C-

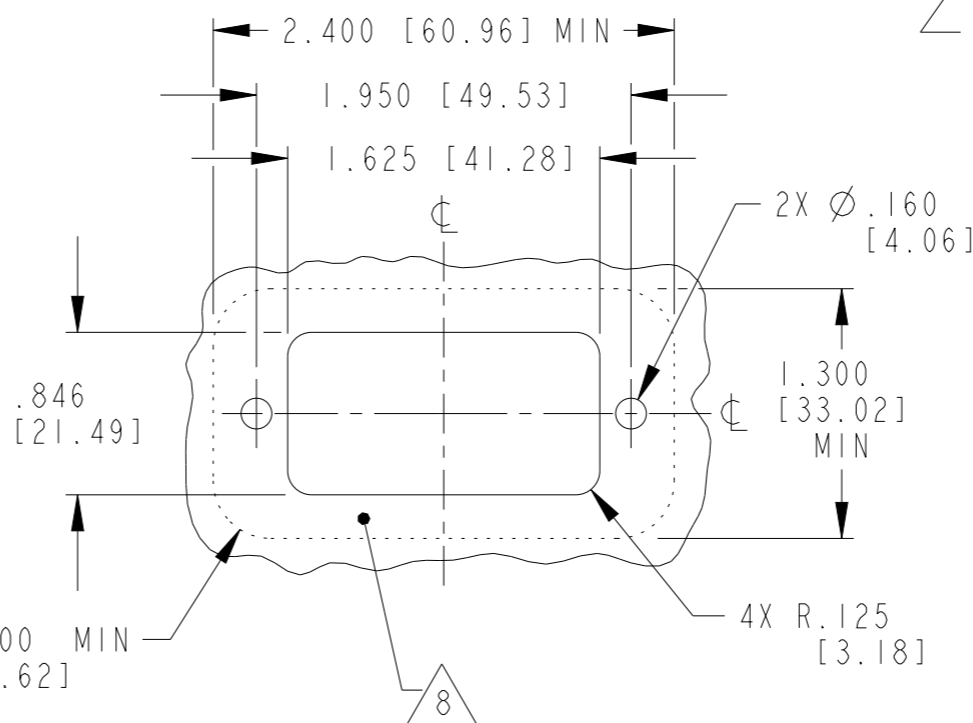
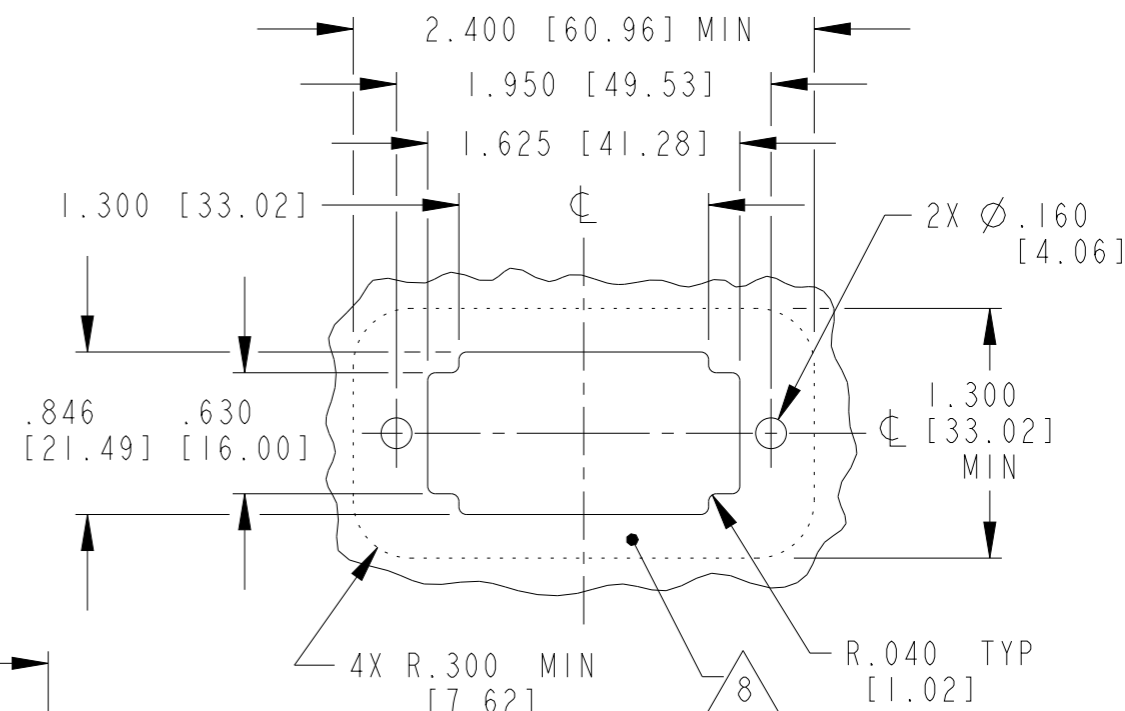


3X KEYWAY
SLEEVE RETAINER: GREEN

DTM15-12PD
KEY: -D-



3X KEYWAY
SLEEVE RETAINER: BROWN

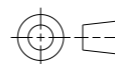


RECOMMENDED PANEL CUTOUT

THIS DRAWING IS A CONTROLLED DOCUMENT.

DIMENSIONS:
INCHES [mm]

TOLERANCES UNLESS OTHERWISE SPECIFIED:
±.025 [0.64mm]



0 PLC	±
1 PLC	±
2 PLC	±
3 PLC	±
4 PLC	±
ANGLES	±

MATERIAL



FINISH

DWN D MEYER 24APR2002

CHK R MESSENGER 21FEB2007

APVD D MEYER 21FEB2007

PRODUCT SPEC

APPLICATION SPEC

WEIGHT

CUSTOMER DRAWING



TE Connectivity

NAME
RECEPTACLE 12 #20 SIZE CONTACTS
KEY ARRANGEMENTS A, B, C AND D
180 DEG, DTM SERIES

SIZE CAGE CODE DRAWING NO RESTRICTED TO

A3 11139 C=DTM15-12PX

SCALE 3:2 SHEET 2 OF 2 REV B1

X-ON Electronics

Largest Supplier of Electrical and Electronic Components

Click to view similar products for [Automotive Connectors](#) category:

Click to view products by [TE Connectivity](#) manufacturer:

Other Similar products are found below :

[003-018-000](#) [60403001](#) [60993906-B](#) [M902-2131](#) [M902-2161](#) [72.330.1035.1](#) [73.353.4028.0](#) [F119300-B](#) [F166900](#) [F258300-B](#) [F358300-B](#)
[F407400](#) [F444110](#) [F487000](#) [F509500B-B](#) [827153-1](#) [8N1515-32-24P](#) [9-1326729-8](#) [925474-1](#) [928905-1](#) [964562-4](#) [968782-1](#) [GT17SA-8DS-](#)
[HU](#) [98891-1012](#) [98947-1016](#) [12004147](#) [12004475-L](#) [12010290](#) [12010309-B](#) [12015454](#) [12020219-B](#) [12020308](#) [12041318-B](#) [12052225-L](#)
[12052466](#) [12059125](#) [12064869](#) [12004327-B](#) [12010503-B](#) [12015308](#) [12015384](#) [12015909](#) [1-21030-1](#) [12041254](#) [12041318](#) [12047946-B](#)
[12047957](#) [12047957-L](#) [12059473](#) [12066261](#)