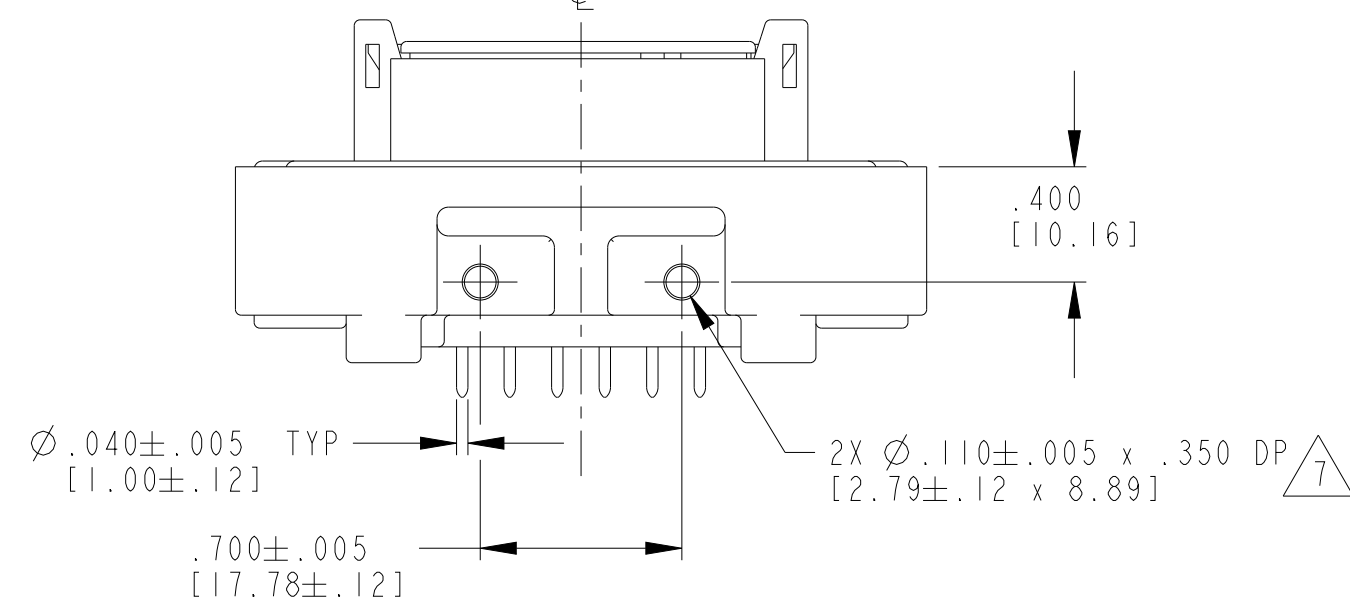
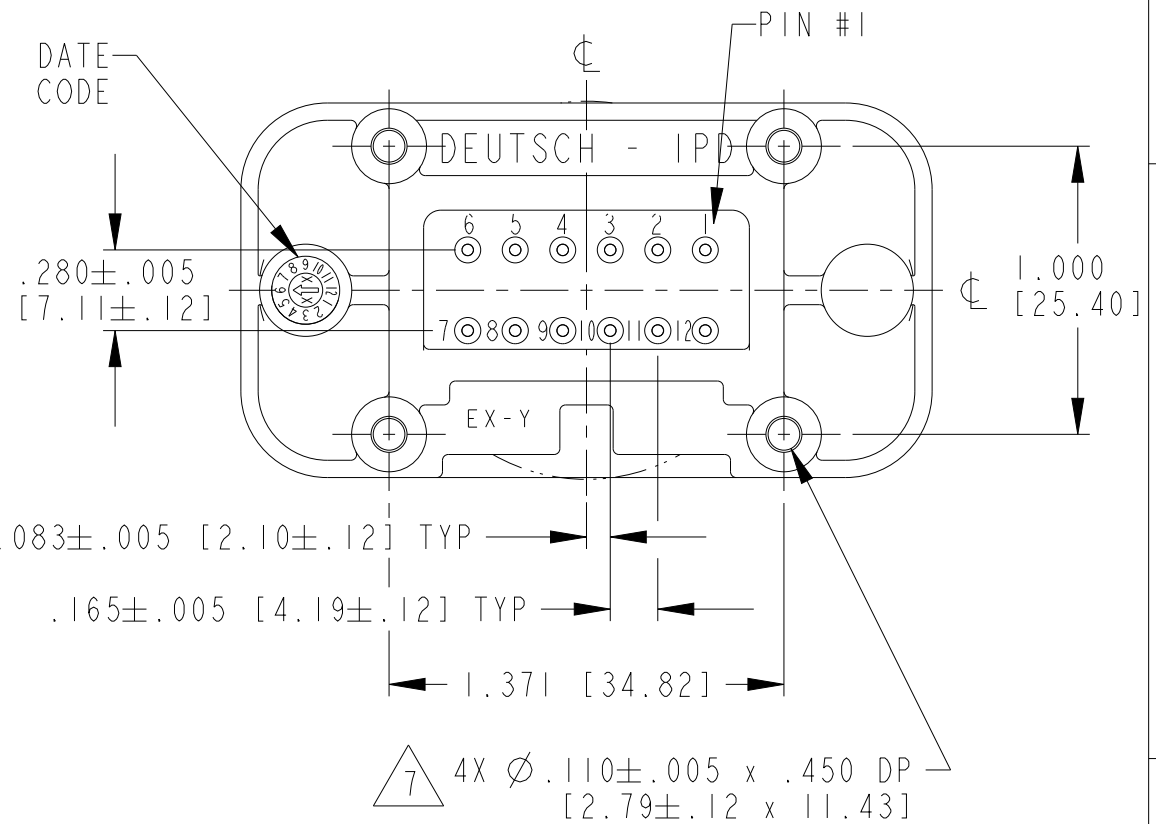
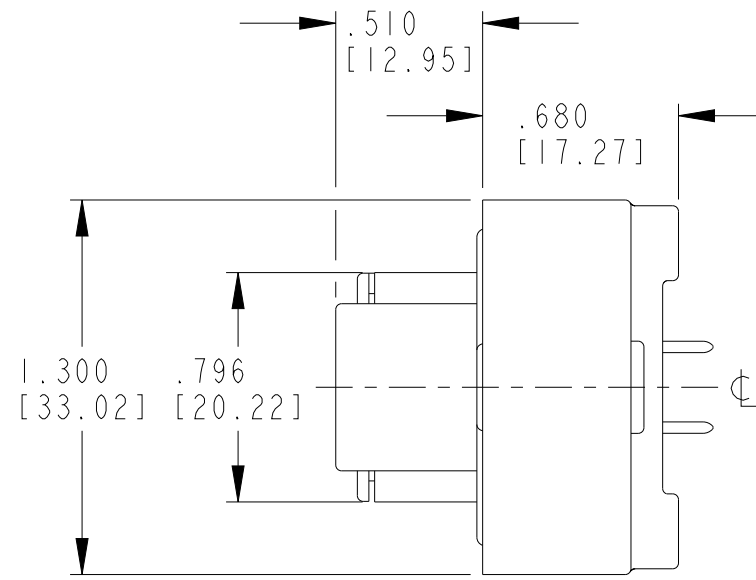
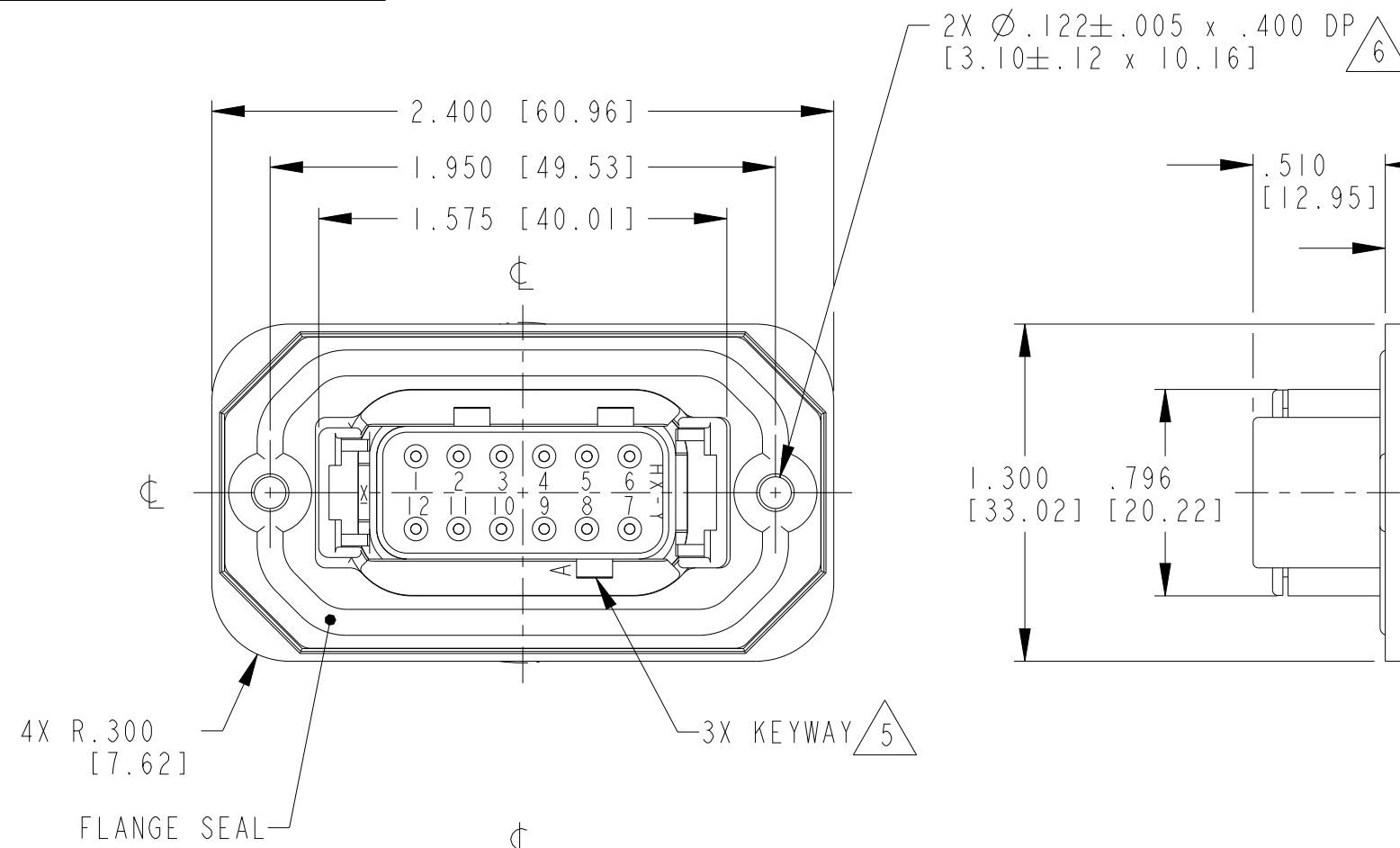


P	LTR	DESCRIPTION	DATE	DWN	APVD
	B1	ECR-21-108593	05AUG2021	DRK	IG



- 8 SURFACE FINISH: 32 RMS OR BETTER; \square .005 [.12].
- 7 RECOMMENDED SCREW: 4-20 [M3.12 x 1.27] THREAD-FORMING SCREW. TORQUE: 6-10 IN-LB [.68-1.13 NM].
- 6 RECOMMENDED SCREW: 6-19 [M3.63 x 1.34] THREAD-FORMING SCREW. TORQUE: 10-20 IN-LB [1.13-2.25 NM].
- 5 SEE SHEET 2 FOR OTHER KEY ARRANGEMENTS.

4. THIS RECEPTACLE MATES WITH DTM06-12S*-**** PLUG (*=A,B,C,D KEYS; ****=ALL MODIFICATIONS).

3. CONTACT PLATING - MATING SIDE: NICKEL; PCB SIDE: TIN

2 MATERIAL - HOUSING & PA46 GF30; GRAY
SLEEVE RETAINER PA46 GF10 (SEE SHEET 2 FOR COLORS)
SEALS: VMQ (RED-ORANGE)
PINS: COPPER ALLOY

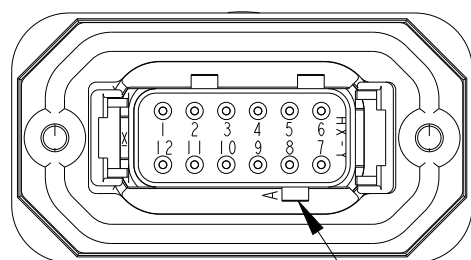
1. PANEL CUTOUT: ±.010 [.25].

NOTES:

THIS DRAWING IS A CONTROLLED DOCUMENT.		DWN D MEYER 24APR2002	TE Connectivity													
DIMENSIONS: INCHES [mm]		CHK R MESSENGER 21FEB2007														
TOLERANCES UNLESS OTHERWISE SPECIFIED: ±.025 [.64mm]		APVD D MEYER 21FEB2007	NAME RECEPTACLE 12 #20 SIZE CONTACTS KEY ARRANGEMENTS A, B, C AND D 180 DEG, DTM SERIES													
<table border="1"> <tr> <td>0 PLC</td> <td>±-</td> </tr> <tr> <td>1 PLC</td> <td>±</td> </tr> <tr> <td>2 PLC</td> <td>±-</td> </tr> <tr> <td>3 PLC</td> <td>±-</td> </tr> <tr> <td>4 PLC</td> <td>±-</td> </tr> <tr> <td>ANGLES</td> <td>±</td> </tr> </table>		0 PLC	±-	1 PLC	±	2 PLC	±-	3 PLC	±-	4 PLC	±-	ANGLES	±	PRODUCT SPEC -	SIZE A3	CAGE CODE 11139
0 PLC	±-															
1 PLC	±															
2 PLC	±-															
3 PLC	±-															
4 PLC	±-															
ANGLES	±															
MATERIAL 2		APPLICATION SPEC -	DRAWING NO G=DTM15-12PX	RESTRICTED TO -												
		WEIGHT -	SCALE 3:2	SHEET 1 OF 2												
		CUSTOMER DRAWING	REV B1													

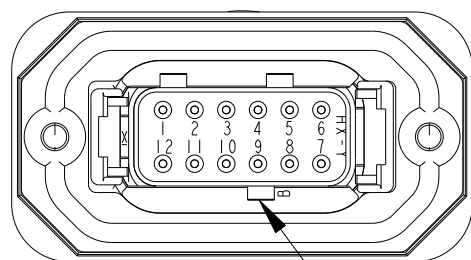
P	LTR	DESCRIPTION	DATE	DWN	APVD
-	-	SEE SHEET 1	-	-	-

DTM15-12PA
KEY: -A-



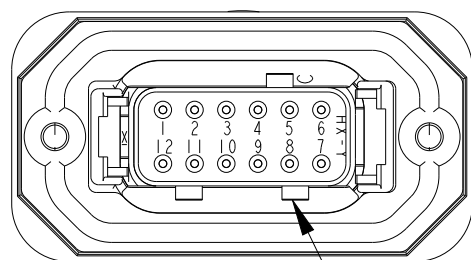
3X KEYWAY
SLEEVE RETAINER: GRAY

DTM15-12PB
KEY: -B-



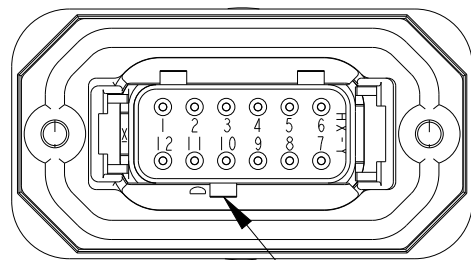
3X KEYWAY
SLEEVE RETAINER: BLACK

DTM15-12PC
KEY: -C-

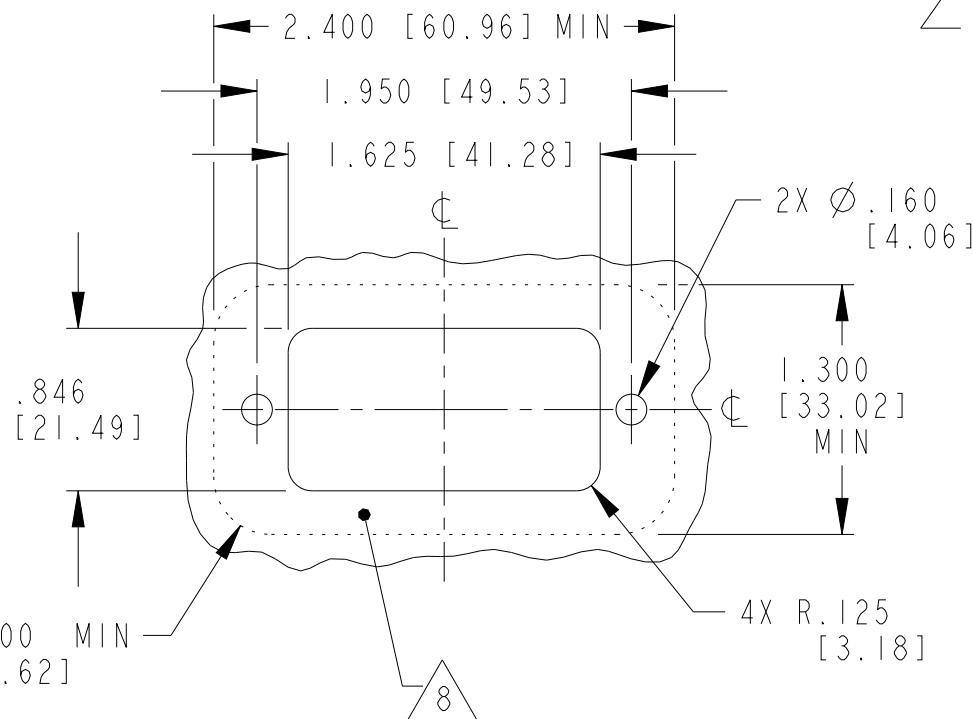
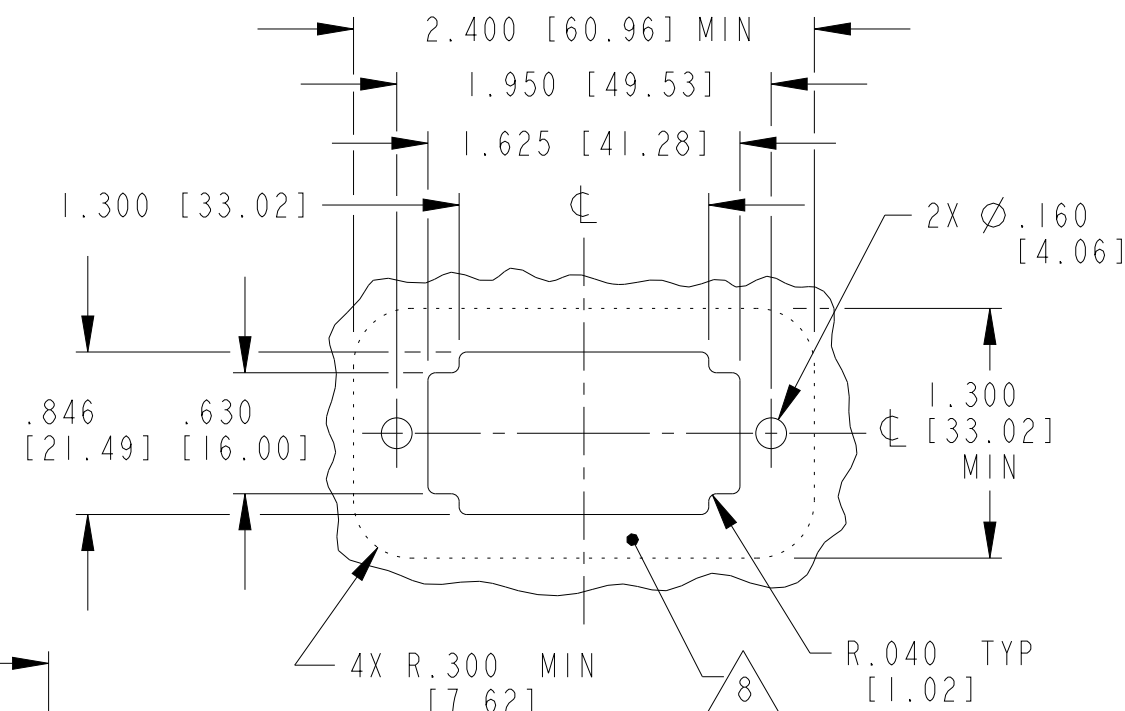


3X KEYWAY
SLEEVE RETAINER: GREEN

DTM15-12PD
KEY: -D-



3X KEYWAY
SLEEVE RETAINER: BROWN



RECOMMENDED PANEL CUTOUT

THIS DRAWING IS A CONTROLLED DOCUMENT.

DWN	D MEYER	24APR2002
CHK	R MESSENGER	21FEB2007
APVD	D MEYER	21FEB2007



DIMENSIONS: INCHES [mm]	TOLERANCES UNLESS OTHERWISE SPECIFIED: ±.025 [0.64mm]
0 PLC ±-	1 PLC ±-
2 PLC ±-	3 PLC ±-
4 PLC ±-	ANGLES ±
MATERIAL	FINISH
2	-

NAME RECEPTACLE 12 #20 SIZE CONTACTS KEY ARRANGEMENTS A, B, C AND D 180 DEG, DTM SERIES			
SIZE	CAGE CODE	DRAWING NO	RESTRICTED TO
A3	11139	DTM15-12PX	-
CUSTOMER DRAWING		SCALE	SHEET
		3:2	2 OF 2
		REV	B1

X-ON Electronics

Largest Supplier of Electrical and Electronic Components

Click to view similar products for [Automotive Connectors](#) category:

Click to view products by [TE Connectivity](#) manufacturer:

Other Similar products are found below :

[003-018-000](#) [60403001](#) [60993906-B](#) [M902-2131](#) [M902-2161](#) [M902-2344](#) [72.330.1035.1](#) [73.353.4028.0](#) [F119300-B](#) [F166900](#) [F258300-B](#)
[F358300-B](#) [F407400](#) [F444110](#) [F487000](#) [F509500B-B](#) [827153-1](#) [8N1515-32-24P](#) [9-1326729-8](#) [925474-1](#) [928905-1](#) [964562-4](#) [968782-1](#)
[GT17SA-8DS-HU](#) [98891-1012](#) [98947-1016](#) [12004147](#) [12004475-L](#) [12010290](#) [12010309-B](#) [12015454](#) [12020219-B](#) [12041318-B](#) [12052225-](#)
[L](#) [12052466](#) [12064869](#) [12004327-B](#) [12015308](#) [12015384](#) [12015909](#) [1-21030-1](#) [12041254](#) [12041318](#) [12047946-B](#) [12047957](#) [12047957-L](#)
[12059473](#) [12066261](#) [12110546](#) [12110546-B](#)