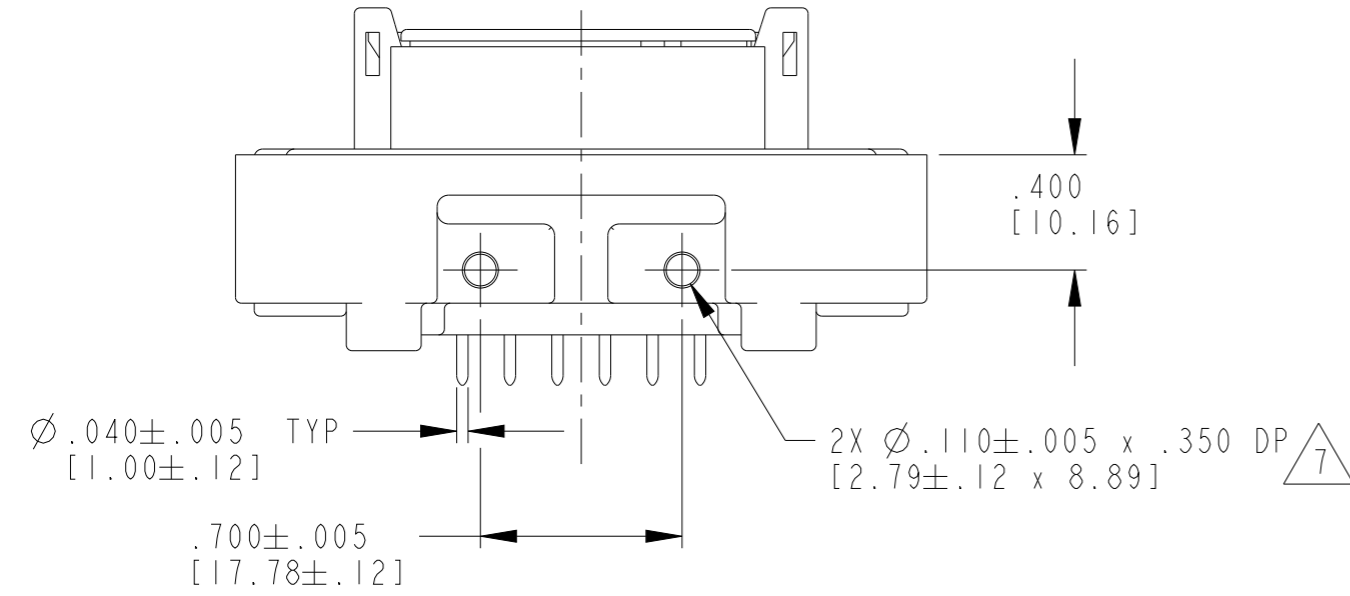
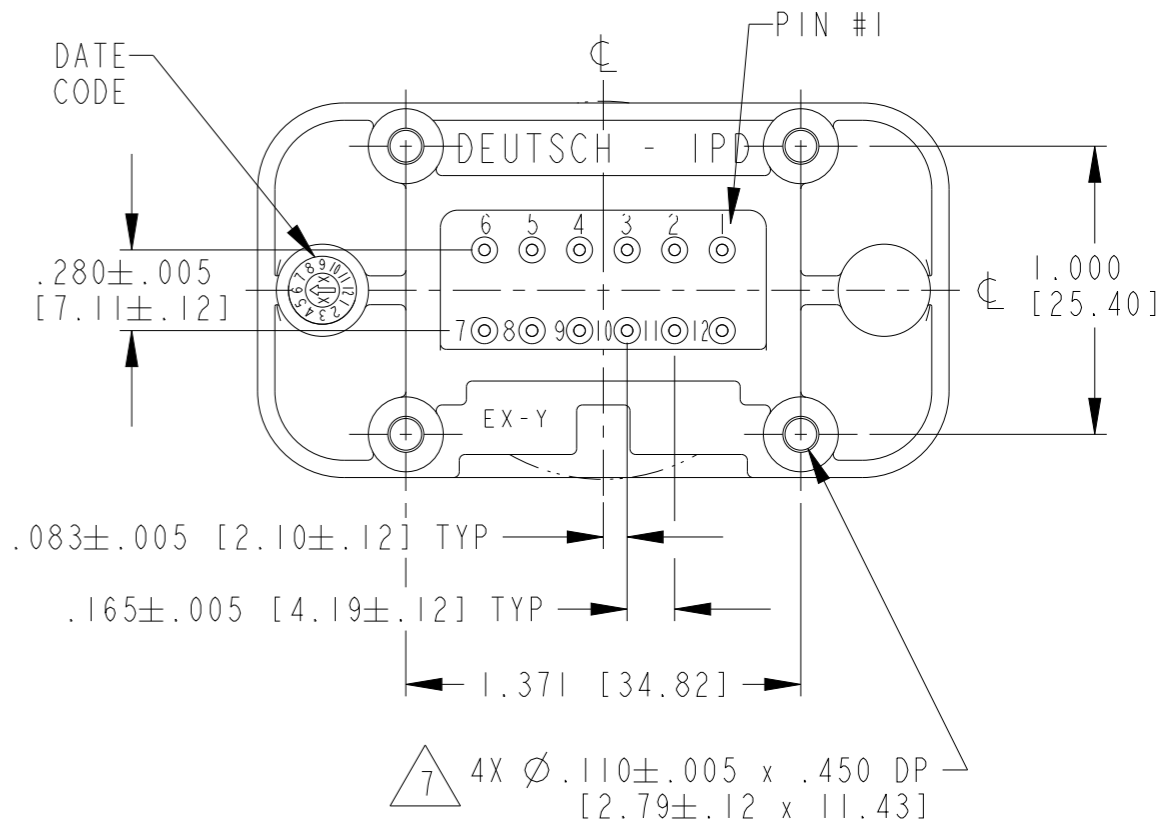
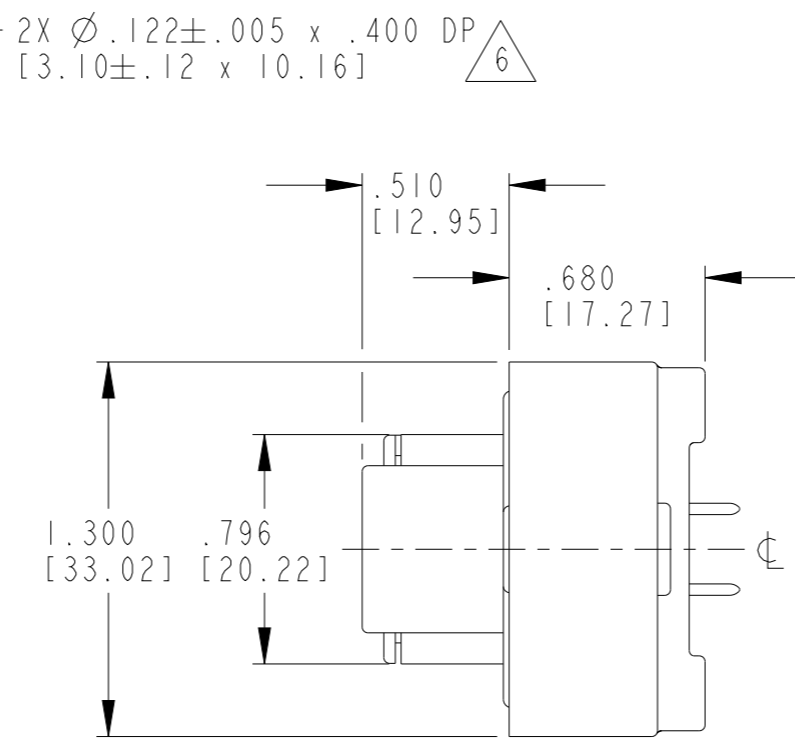
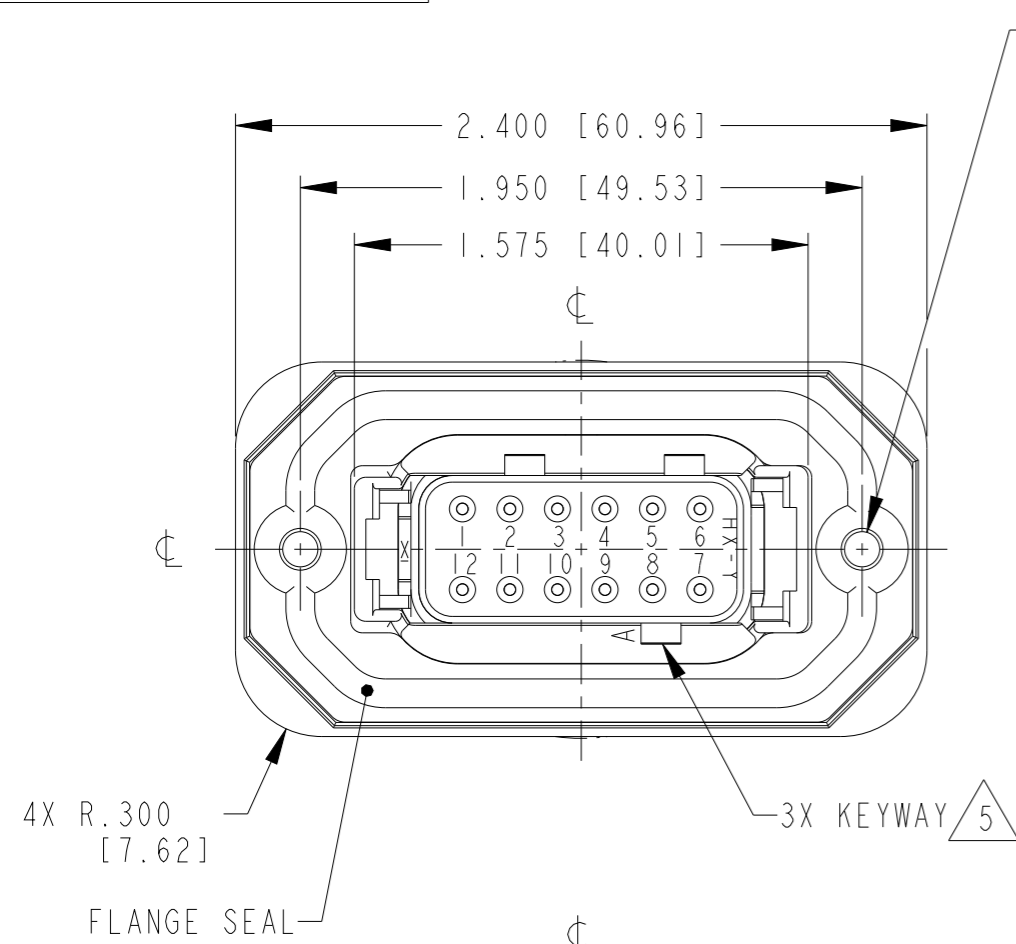


P	LTR	DESCRIPTION	DATE	DWN	APVD
	B1	ECR-21-108593	05AUG2021	DRK	IG



- 8 SURFACE FINISH: 32 RMS OR BETTER; \square .005 [.12].
- 7 RECOMMENDED SCREW: 4-20 [M3.12 x 1.27] THREAD-FORMING SCREW. TORQUE: 6-10 IN-LB [.68-1.13 NM].
- 6 RECOMMENDED SCREW: 6-19 [M3.63 x 1.34] THREAD-FORMING SCREW. TORQUE: 10-20 IN-LB [1.13-2.25 NM].
- 5 SEE SHEET 2 FOR OTHER KEY ARRANGEMENTS.
- 4. THIS RECEPTACLE MATES WITH DTM06-12S*-**** PLUG (*=A,B,C,D KEYS; ****=ALL MODIFICATIONS).

3. CONTACT PLATING - MATING SIDE: NICKEL; PCB SIDE: TIN

2 MATERIAL - HOUSING & PA46 GF30; GRAY
SLEEVE RETAINER PA46 GF10 (SEE SHEET 2 FOR COLORS)
SEALS: VMQ (RED-ORANGE)
PINS: COPPER ALLOY

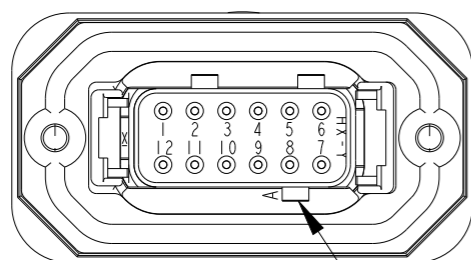
1. PANEL CUTOUT: ±.010 [.25].

NOTES:

THIS DRAWING IS A CONTROLLED DOCUMENT.		DWN	24APR2002		STE TE Connectivity		
		CHK	21FEB2007				
		APVD	21FEB2007				
		PRODUCT SPEC					
DIMENSIONS: INCHES [mm]		TOLERANCES UNLESS OTHERWISE SPECIFIED: ±.025 [.64mm]		NAME			
		APPLICATION SPEC		RECEPTACLE 12 #20 SIZE CONTACTS KEY ARRANGEMENTS A, B, C AND D 180 DEG, DTM SERIES			
		WEIGHT		SIZE	CAGE CODE	DRAWING NO	RESTRICTED TO
MATERIAL		CUSTOMER DRAWING		A3	11139	DTM15-12PX	-
SCALE		SHEET		OF		REV	
3:2		1 OF 2		B1			

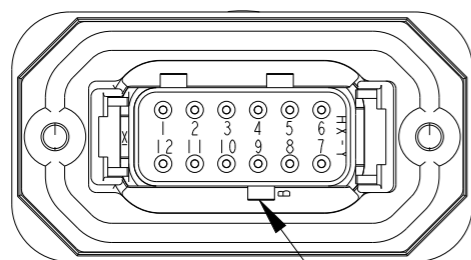
P	LTR	DESCRIPTION	DATE	DWN	APVD
-	-	SEE SHEET 1	-	-	-

DTM15-12PA
KEY: -A-



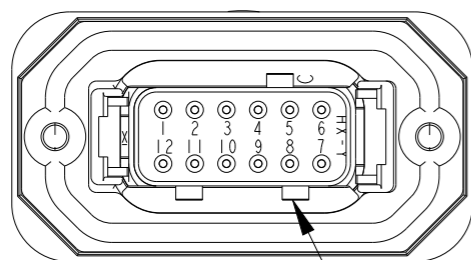
3X KEYWAY
SLEEVE RETAINER: GRAY

DTM15-12PB
KEY: -B-



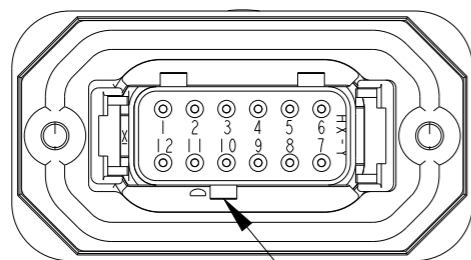
3X KEYWAY
SLEEVE RETAINER: BLACK

DTM15-12PC
KEY: -C-

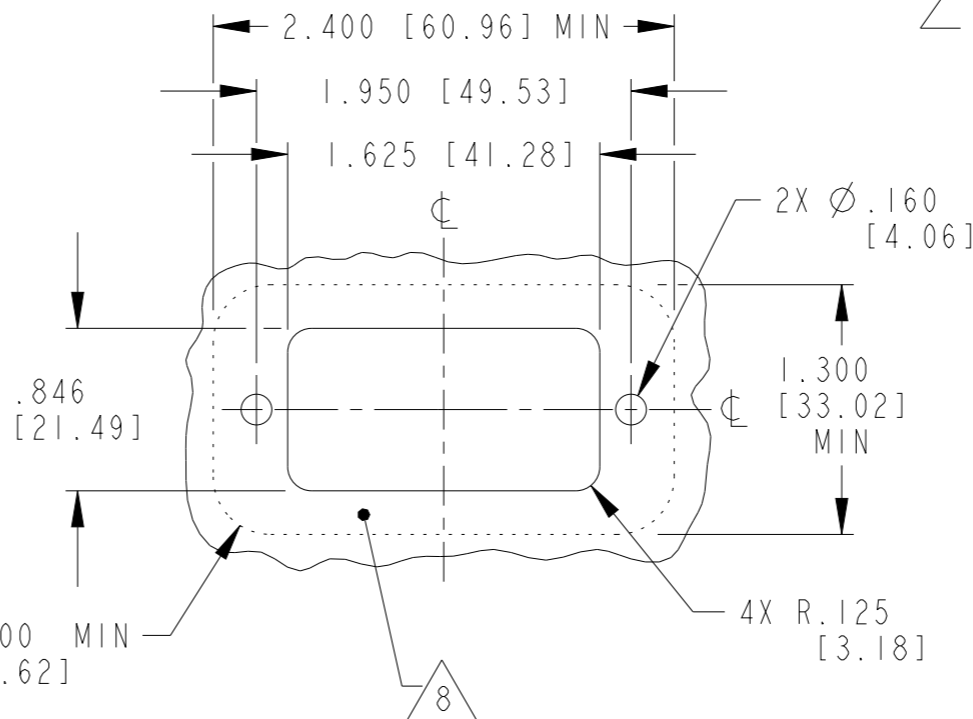
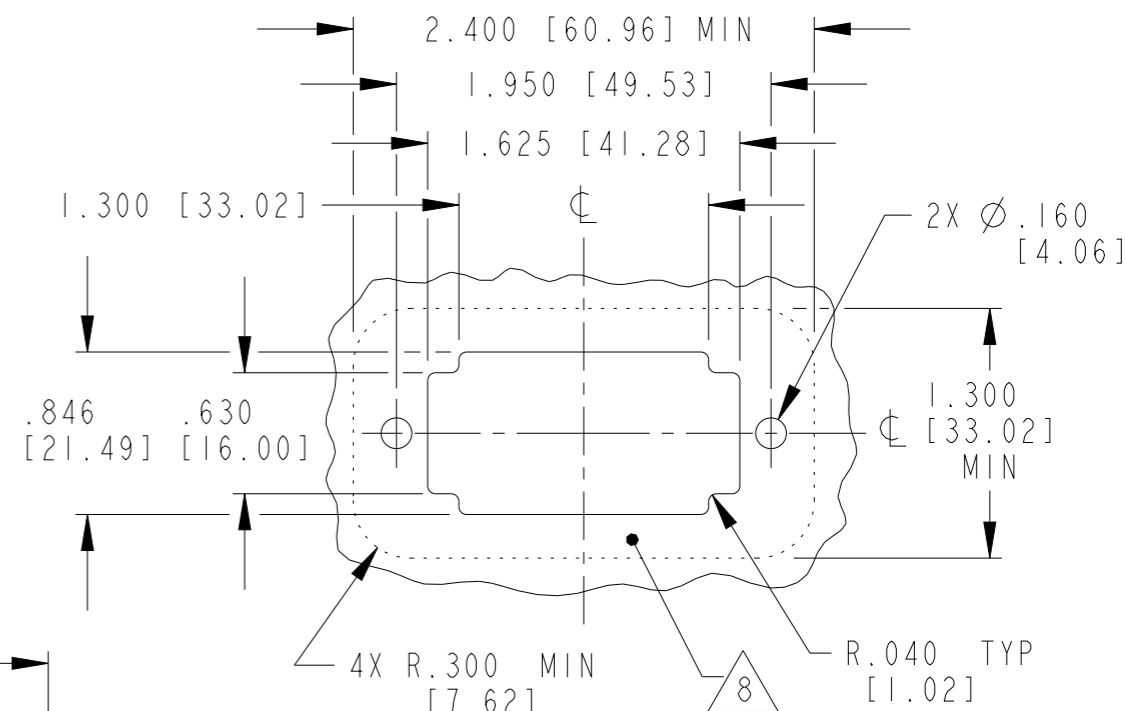


3X KEYWAY
SLEEVE RETAINER: GREEN

DTM15-12PD
KEY: -D-



3X KEYWAY
SLEEVE RETAINER: BROWN



RECOMMENDED PANEL CUTOUT

THIS DRAWING IS A CONTROLLED DOCUMENT.

DIMENSIONS: INCHES [mm]	TOLERANCES UNLESS OTHERWISE SPECIFIED: ±.025 [0.64mm]
	0 PLC ±-
	1 PLC ±-
	2 PLC ±-
	3 PLC ±-
	4 PLC ±-
	ANGLES ±
MATERIAL 	FINISH -

DWN D MEYER	24APR2002
CHK R MESSENGER	21FEB2007
APVD D MEYER	21FEB2007
PRODUCT SPEC	-
APPLICATION SPEC	-
WEIGHT	-
CUSTOMER DRAWING	



NAME
RECEPTACLE 12 #20 SIZE CONTACTS
KEY ARRANGEMENTS A, B, C AND D
180 DEG, DTM SERIES

SIZE A3	CAGE CODE 111139	DRAWING NO G=DTM15-12PX	RESTRICTED TO -
SCALE 3:2		SHEET 2 OF 2	REV B1

X-ON Electronics

Largest Supplier of Electrical and Electronic Components

Click to view similar products for [Automotive Connectors](#) category:

Click to view products by [TE Connectivity](#) manufacturer:

Other Similar products are found below :

[003-018-000](#) [60403001](#) [60993906-B](#) [M902-2131](#) [M902-2161](#) [M902-2344](#) [72.330.1035.1](#) [73.353.4028.0](#) [F119300-B](#) [F166900](#) [F258300-B](#)
[F358300-B](#) [F407400](#) [F444110](#) [F487000](#) [F509500B-B](#) [827153-1](#) [8N1515-32-24P](#) [9-1326729-8](#) [925474-1](#) [928905-1](#) [964562-4](#) [968782-1](#)
[GT17SA-8DS-HU](#) [98891-1012](#) [98947-1016](#) [12004147](#) [12004475-L](#) [12010290](#) [12010309-B](#) [12015454](#) [12020219-B](#) [12041318-B](#) [12052225-](#)
[L](#) [12052466](#) [12064869](#) [12004327-B](#) [12015308](#) [12015384](#) [12015909](#) [1-21030-1](#) [12041254](#) [12041318](#) [12047946-B](#) [12047957](#) [12047957-L](#)
[12059473](#) [12066261](#) [12110546](#) [12110546-B](#)