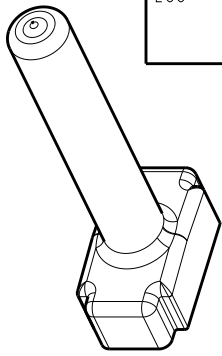
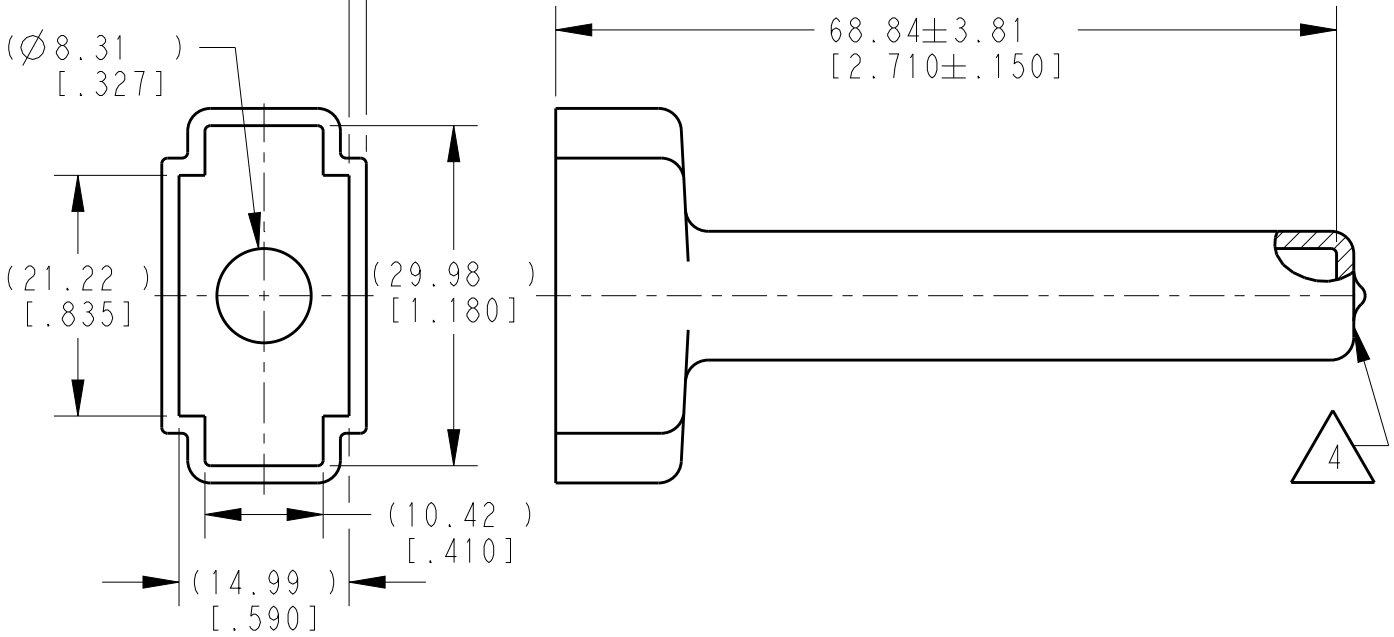


LOC	DIST	REVISIONS					
		P	LTR	DESCRIPTION	DATE	DWN	APVD
			A	NEW RELEASE PER ECO-14-010244	05AUG2014	DM	DM
			A1	REVISED PER PCN E-19-014639	09OCT2019	JA	IG



SCALE 3:4

1.52±0.25  
[.060±.010]  
MEASURED 6.35±0.64  
[.250±.025]  
FROM OPEN END



- 4 SMALL MATERIAL EXTENSION IS ACCEPTABLE ON THIS END ALL AROUND.
3. THIS ACCESSORY PART IS PROVIDED WITHOUT TYPICAL TRANSPORTATION INDUSTRY PROCESS CONTROLS. NO VALIDATION TESTING HAS BEEN PERFORMED. CUSTOMER IS RESPONSIBLE FOR DETERMINING PRODUCT PERFORMANCE AND SUITABILITY FOR APPLICATION.
2. TEMPERATURE RATING: -29°C TO +100°C [-20°F TO +212°F].
1. THIS PART IS USED ON DTM06-08SX (X=A,B,C,D KEYS) PLUG WITH ANY MODIFICATION THAT DOES NOT INCLUDE AN END CAP.

TE INTERNAL PN	DEUTSCH PN
DTM8S-BT-BK	DTM8S-BT-BK

2019 RELEASED FOR PUBLICATION  
THIS DRAWING IS UNPUBLISHED.  
COPYRIGHT 2014

TE Connectivity. All Rights Reserved.

DIMENSIONS:	
mm	[INCHES]
TOLERANCES UNLESS OTHERWISE SPECIFIED:	
0 PLC	±
1 PLC	±
2 PLC	±
3 PLC	±0.64 [.025]
4 PLC	±
ANGLES	±0°30'0"

DWN	D.MEYER	07JUL2014
CHK	B.MILLIGAN	07JUL2014
APVD	D.MEYER	07JUL2014
PRODUCT SPEC		
APPLICATION SPEC		
WEIGHT	4.99g	
CUSTOMER DRAWING		

MATERIAL	PVC	FINISH	BLACK
		TE Connectivity	
		NAME BOOT, PLUG, 8PIN DTM SERIES	
SIZE	A 4	CAGE CODE	4AFU8
DRAWING NO	C=DTM8S-BT-BK		RESTRICTED TO
SCALE		3:2	SHEET 1 OF 1
REV		A1	

## X-ON Electronics

Largest Supplier of Electrical and Electronic Components

*Click to view similar products for [Automotive Connectors](#) category:*

*Click to view products by [TE Connectivity](#) manufacturer:*

Other Similar products are found below :

[003-018-000](#) [60403001](#) [60993906-B](#) [M902-2131](#) [M902-2161](#) [72.330.1035.1](#) [73.353.4028.0](#) [F119300-B](#) [F166900](#) [F258300-B](#) [F358300-B](#)  
[F407400](#) [F444110](#) [F487000](#) [F509500B-B](#) [827153-1](#) [8N1515-32-24P](#) [9-1326729-8](#) [925474-1](#) [928905-1](#) [964562-4](#) [968782-1](#) [GT17SA-8DS-](#)  
[HU](#) [98891-1012](#) [98947-1016](#) [12004147](#) [12004475-L](#) [12010290](#) [12010309-B](#) [12015454](#) [12020219-B](#) [12020308](#) [12041318-B](#) [12052225-L](#)  
[12052466](#) [12059125](#) [12064869](#) [12004327-B](#) [12010503-B](#) [12015308](#) [12015384](#) [12015909](#) [1-21030-1](#) [12041254](#) [12041318](#) [12047946-B](#)  
[12047957](#) [12047957-L](#) [12059473](#) [12066261](#)