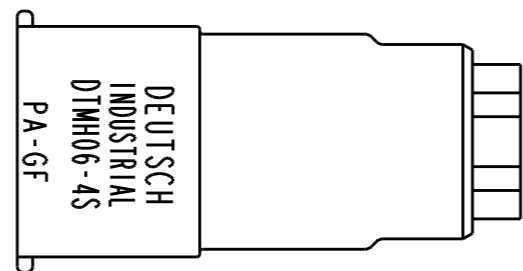
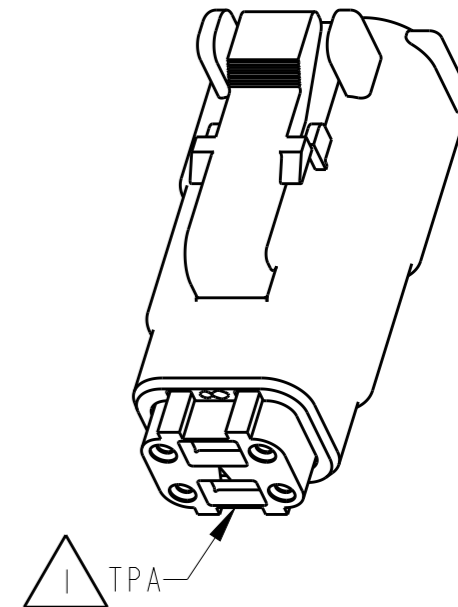
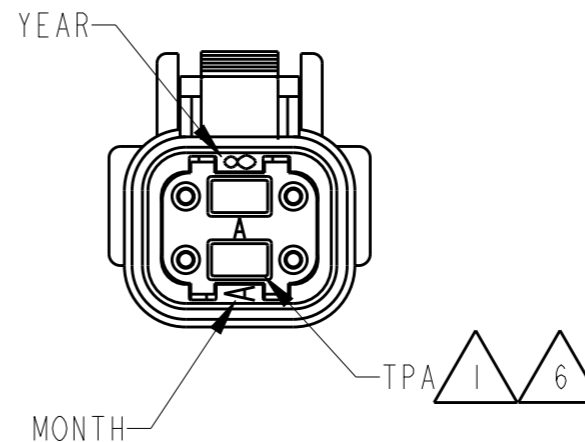
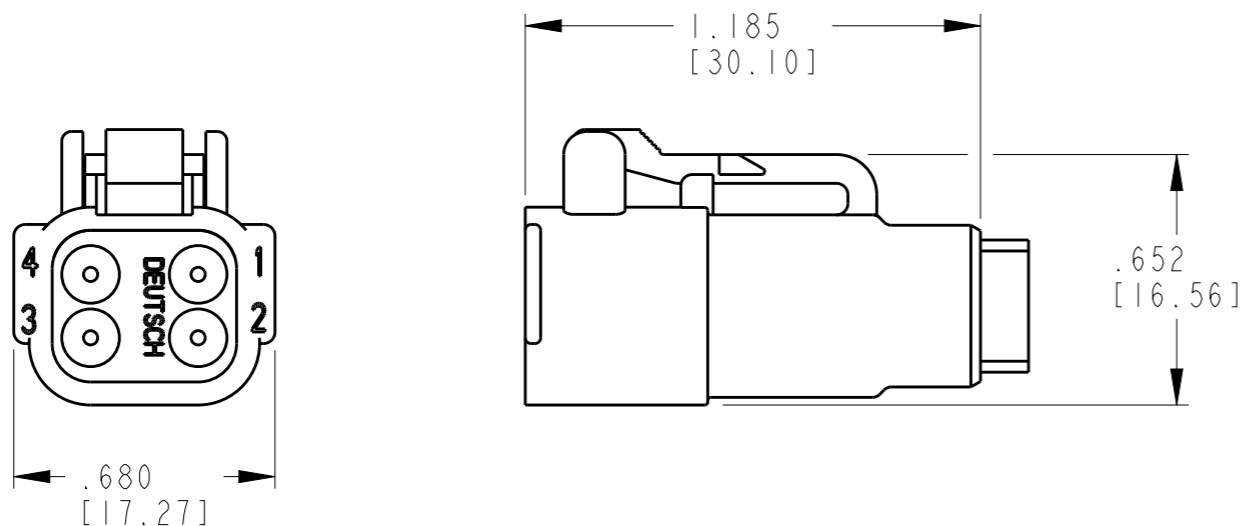
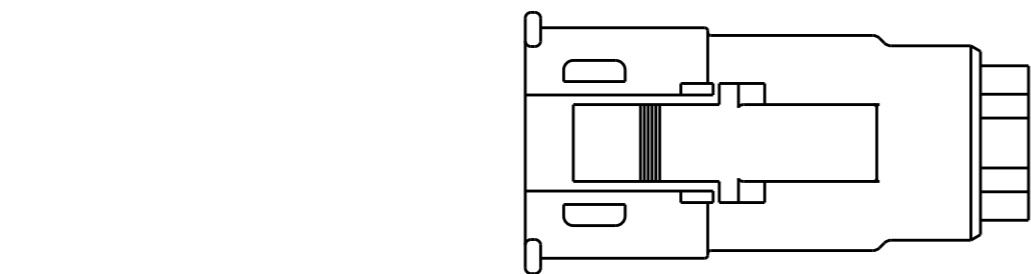


THIS DRAWING IS UNPUBLISHED. RELEASED FOR PUBLICATION 20
 © COPYRIGHT 20 BY - ALL RIGHTS RESERVED.

LOC	DIST	REVISIONS			
P	LTR	DESCRIPTION	DATE	DWN	APVD
-	-	NC	NEW RELEASE PER E.O. PI9775	5-16-08	DW RDR
		A	CHANGED PER E.O. PI9993	9-9-08	DW SB
		B	REVISED PER ECO-13-009529	5-17-13	JA RM



CONTACT SIZE	MIN. INSUL. O.D.	MAX. INSUL. O.D.	WIRE RANGE [mm ²] REF ONLY
20	.053 [1.35]	.120 [3.05]	16-20 AWG [1.0-0.2]

- △6 SEE SHEET 2 FOR OTHER KEY ARRANGEMENTS.
- 5. PLUG IS RATED AT 150°C.
- △4 MATERIAL - HOUSING: PLASTIC; GROMMET: RUBBER
- 3. THIS PLUG MATES WITH DTMH04-4P* AND DTM04-4P* RECEPTACLE. (* = A,B,C,D KEYS).
- △2 FOR CONTACT AND WIRE PERFORMANCE AND APPLICATION CHARACTERISTICS SEE ENVELOPE DRAWING 0425-015-0000.
- △1 TERMINAL POSITION ASSURANCE (TPA) LOCK PRE-MOUNTED: WMH-4S* (* = A,B,C,D KEYS)

NOTES: UNLESS OTHERWISE SPECIFIED

THIS DRAWING IS A CONTROLLED DOCUMENT.		DWN 5-17-13 JAIME C. APOSTOL			
DIMENSIONS: mm [INCHES]		CHK 5-17-13 ROBERT MILLIGAN			
TOLERANCES UNLESS OTHERWISE SPECIFIED:		APVD 5-17-13 ROBERT MILLIGAN		NAME PLUG, 4 PIN CONTACT SIZE 20, COLOR: BLACK DTMH SERIES	
0 PLC ± 1 PLC ± 2 PLC ± 3 PLC ±0.025 [0.64] 4 PLC ± ANGLES ±0°30'0"		PRODUCT SPEC -		SIZE A3	
MATERIAL △4		APPLICATION SPEC -		CAGE CODE 4AFU8	
FINISH -		WEIGHT 5.86g		DRAWING NO DTMH06-4SX	
		Customer Drawing		RESTRICTED TO -	
		SCALE 2:1		SHEET 1 OF 2	
				REV B	

4

3

2

1

THIS DRAWING IS UNPUBLISHED.

RELEASED FOR PUBLICATION

20

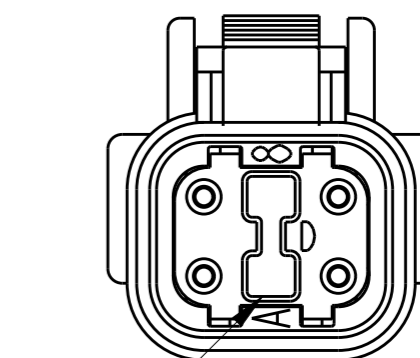
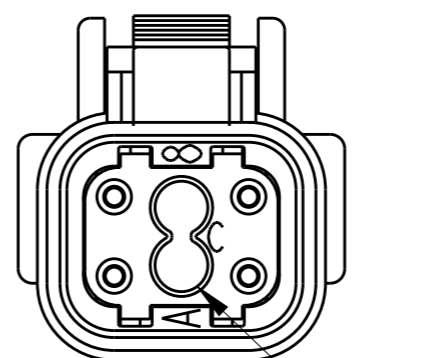
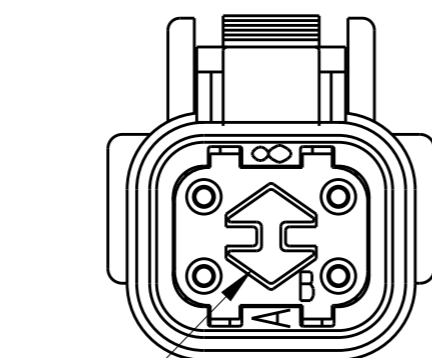
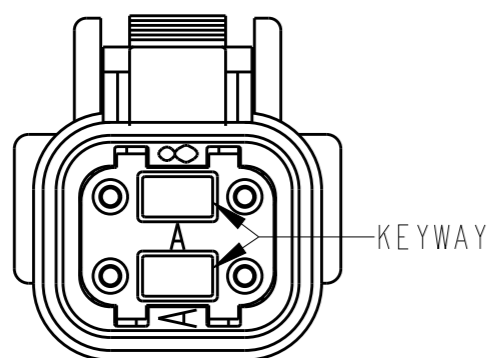
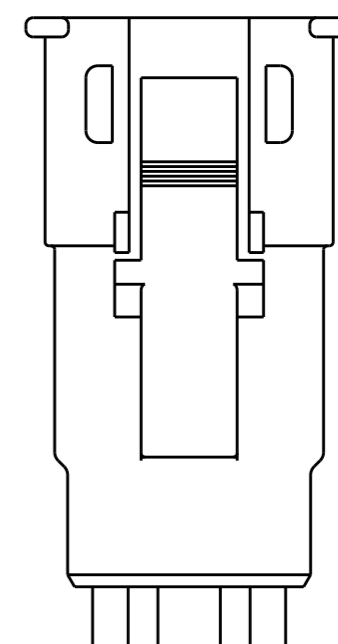
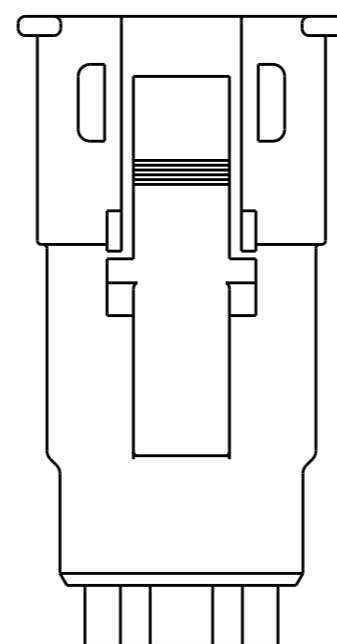
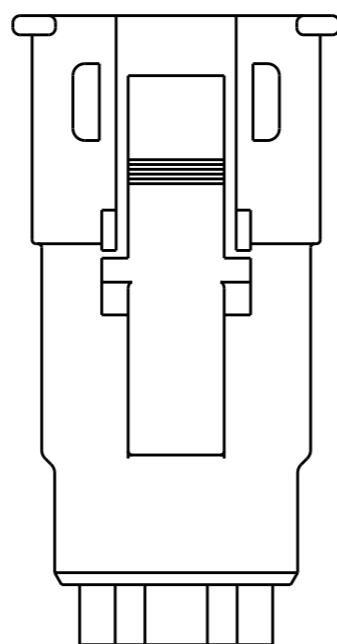
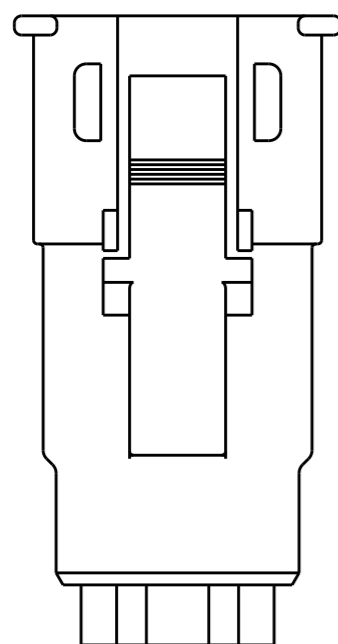
© COPYRIGHT 20 BY -

ALL RIGHTS RESERVED.

LOC - DIST -

REVISIONS

P	LTR	DESCRIPTION	DATE	DWN	APVD
	B	SEE SHEET 1	5-17-13	JA	RM



DTMH06-4SA

-A- KEY
TPA COLOR: GREY

DTMH06-4SB

-B- KEY
TPA COLOR: BLACK

DTMH06-4SC

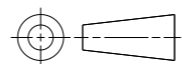
-C- KEY
TPA COLOR: GREEN

DTMH06-4SD

-D- KEY
TPA COLOR: BROWN

THIS DRAWING IS A CONTROLLED DOCUMENT.

DIMENSIONS:
mm [INCHES]



TOLERANCES UNLESS OTHERWISE SPECIFIED:

0 PLC	±
1 PLC	±
2 PLC	±
3 PLC	±0.025 [0.64]
4 PLC	±
ANGLES	±0°30'0"



FINISH -

DWN 5-17-13

CHK JAIME C. APOSTOL

5-17-13

CHK ROBERT MILLIGAN

5-17-13

APVD ROBERT MILLIGAN

PRODUCT SPEC

-

APPLICATION SPEC

-

WEIGHT 5.86g

Customer Drawing



TE Connectivity

NAME
PLUG, 4 PIN CONTACT
SIZE 20, COLOR: BLACK
DTMH SERIES

SIZE	CAGE CODE	DRAWING NO	RESTRICTED TO
------	-----------	------------	---------------

A3	4AFU8	DTMH06-4SX	-
----	-------	------------	---

SCALE 2:1	SHEET 2 OF 2	REV B
-----------	--------------	-------

X-ON Electronics

Largest Supplier of Electrical and Electronic Components

Click to view similar products for [Automotive Connectors](#) category:

Click to view products by [TE Connectivity](#) manufacturer:

Other Similar products are found below :

[003-018-000](#) [60403001](#) [60993906-B](#) [M902-2131](#) [M902-2161](#) [M902-2344](#) [72.330.1035.1](#) [73.353.4028.0](#) [F119300-B](#) [F166900](#) [F258300-B](#)
[F358300-B](#) [F407400](#) [F444110](#) [F487000](#) [F509500B-B](#) [827153-1](#) [8N1515-32-24P](#) [9-1326729-8](#) [925474-1](#) [928905-1](#) [964562-4](#) [968782-1](#)
[GT17SA-8DS-HU](#) [98891-1012](#) [98947-1016](#) [12004147](#) [12004475-L](#) [12010290](#) [12010309-B](#) [12015454](#) [12020219-B](#) [12041318-B](#) [12052225-](#)
[L](#) [12052466](#) [12064869](#) [12004327-B](#) [12015308](#) [12015384](#) [12015909](#) [1-21030-1](#) [12041254](#) [12041318](#) [12047946-B](#) [12047957](#) [12047957-L](#)
[12059473](#) [12066261](#) [12110546](#) [12110546-B](#)